

# ASSEMBLY GUIDE M12

---

ENGINEERING SUPERIOR SOLUTIONS

**Hyperboloid, Spring Probe, High Speed and Filtered Interconnects**

Aerospace & Defense, Industrial, Medical, Space, Test & Measurement, Transportation

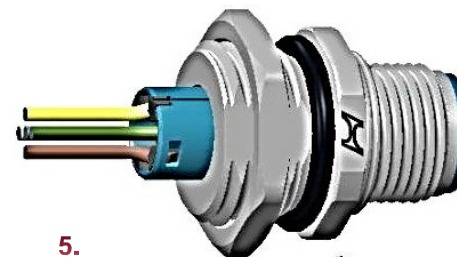
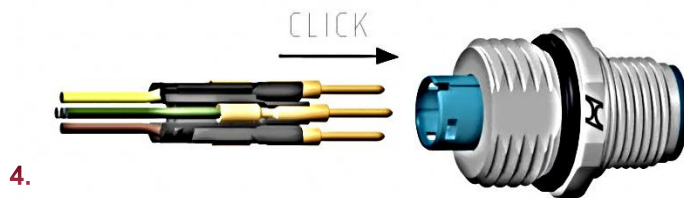
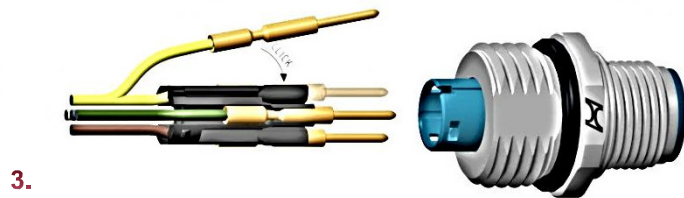
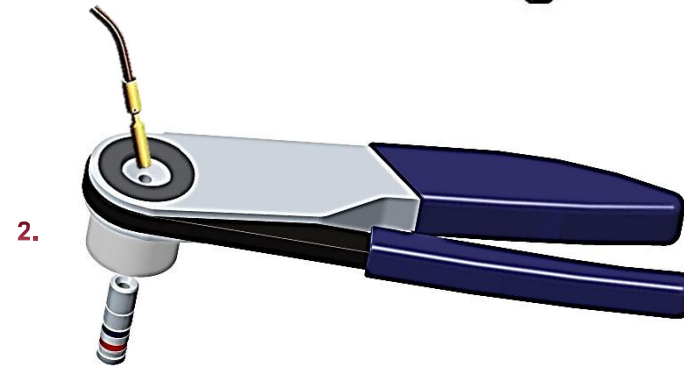
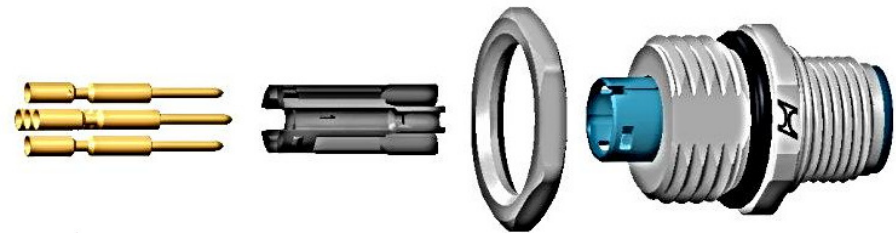
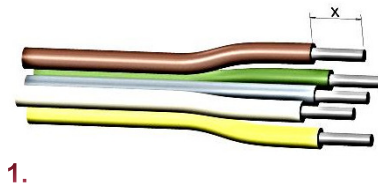
01/07/14 | Sonja Kufner, Engineering



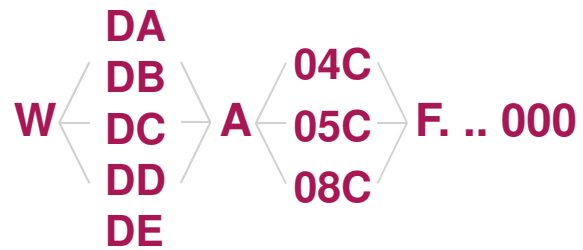
# Receptacle



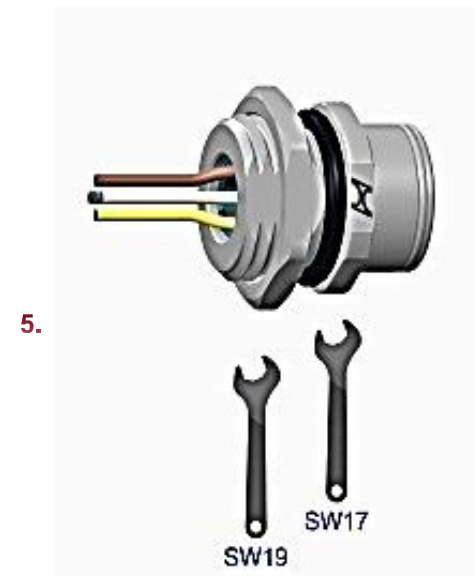
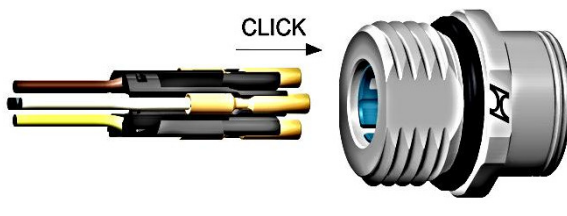
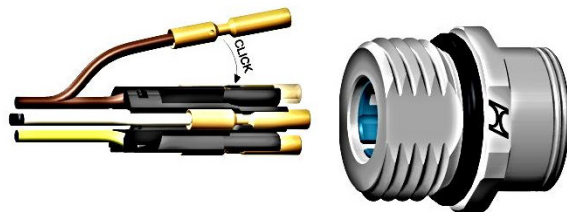
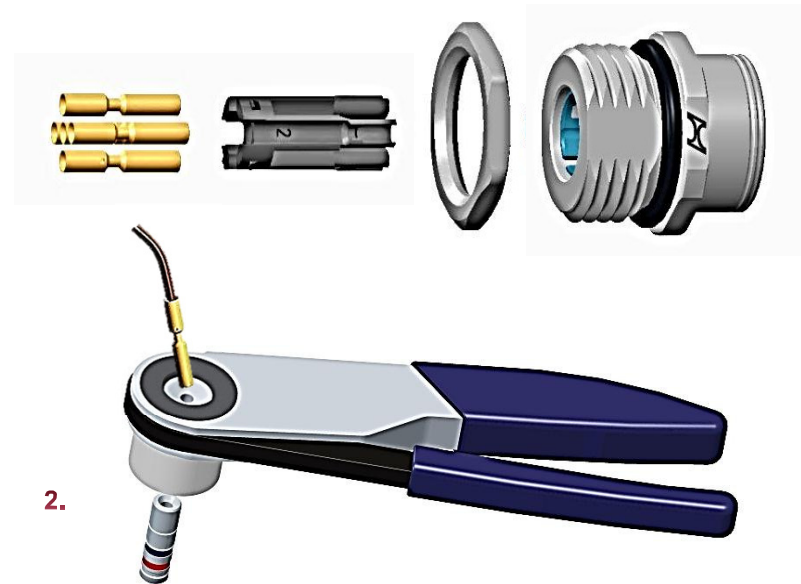
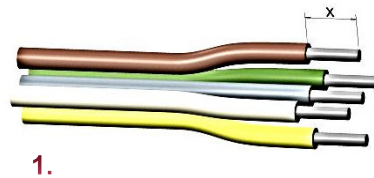
| Stripping length |          |     |
|------------------|----------|-----|
|                  | Contacts |     |
|                  | HC       | HCS |
| X                | 4mm      | 3mm |



# Panel feed through



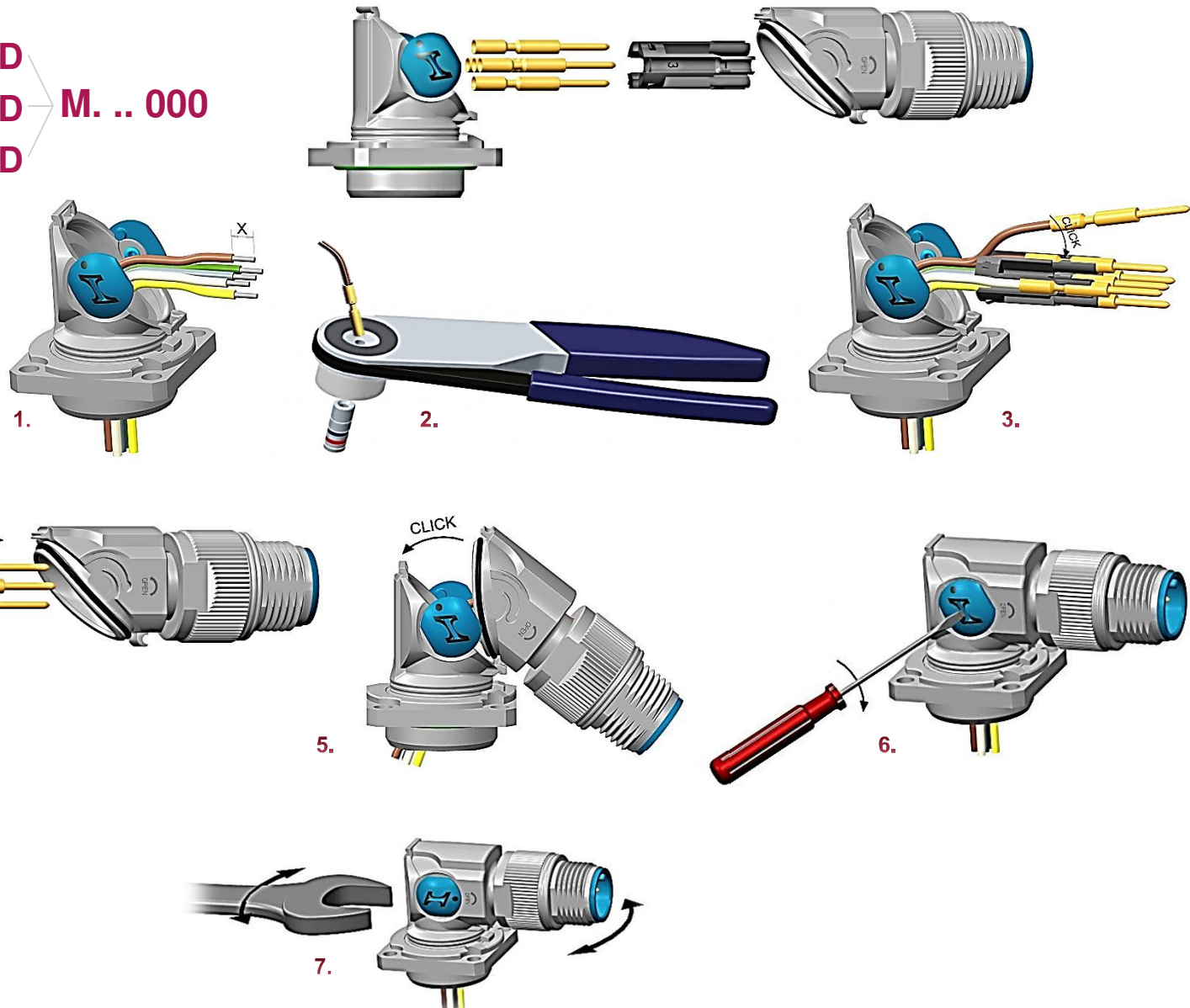
| Stripping length |     |     |
|------------------|-----|-----|
| Contacts         |     |     |
|                  | HC  | HCS |
| X                | 4mm | 3mm |



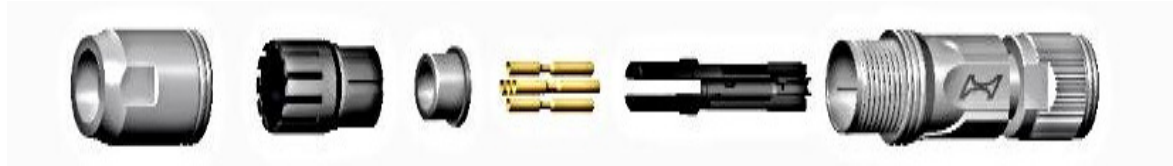
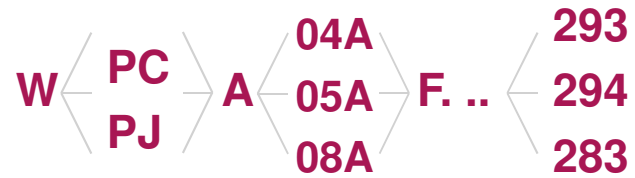
# Rotatable Receptacle 90°



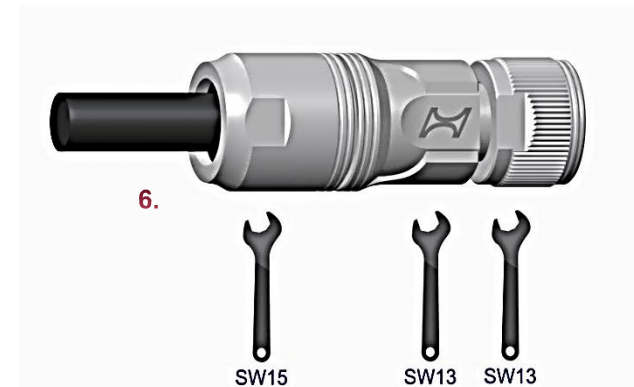
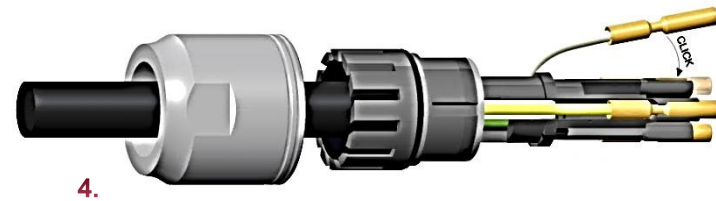
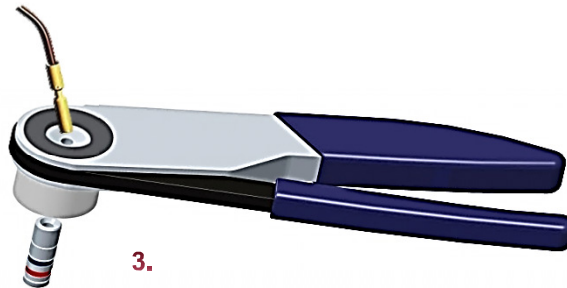
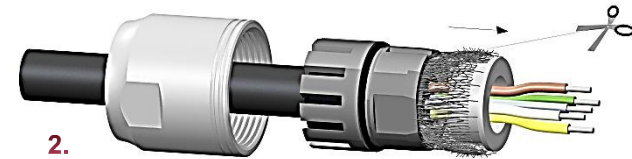
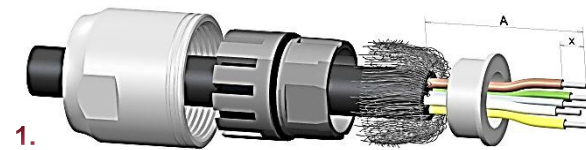
| Stripping length |     |     |
|------------------|-----|-----|
| Contacts         |     |     |
|                  | HC  | HCS |
| X                | 4mm | 3mm |



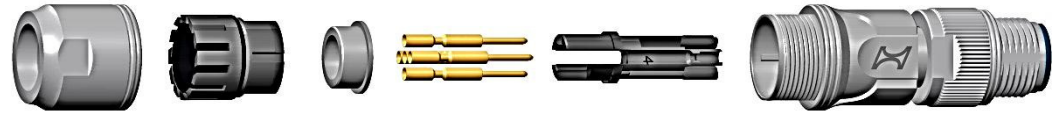
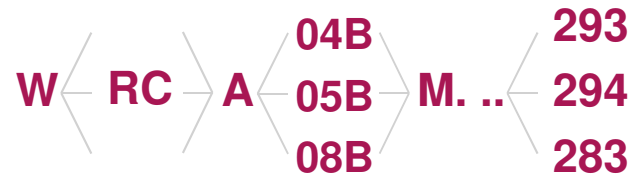
# Free assembled straight



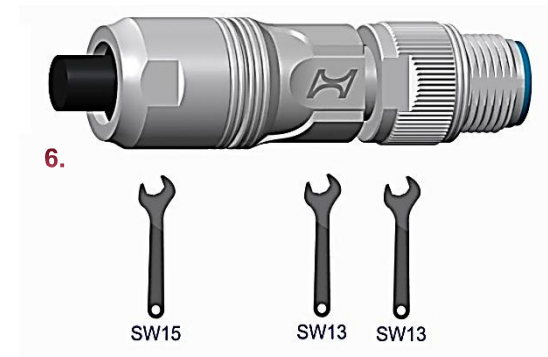
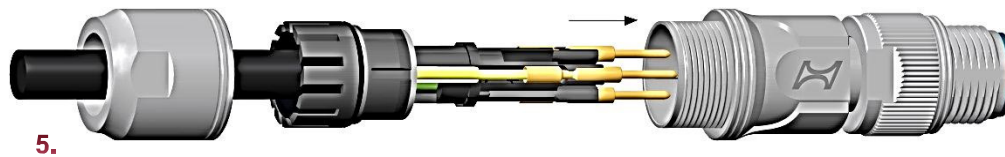
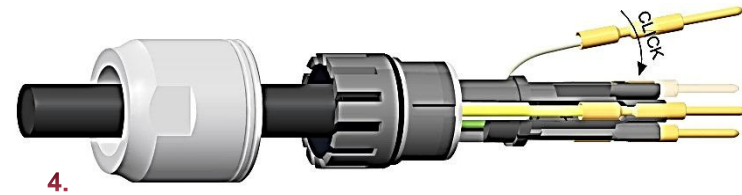
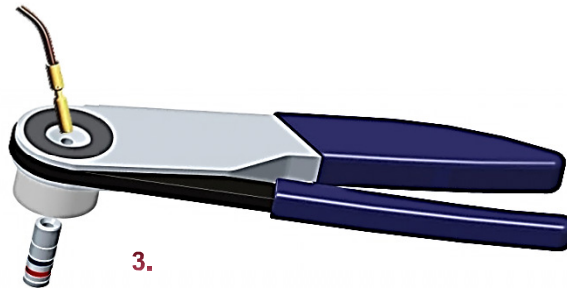
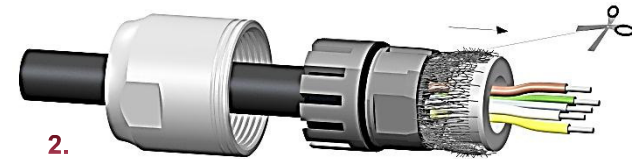
| Stripping length |          |     |
|------------------|----------|-----|
|                  | Contacts |     |
|                  | HC       | HCS |
| X                | 4mm      | 3mm |
| A                | 23mm     |     |



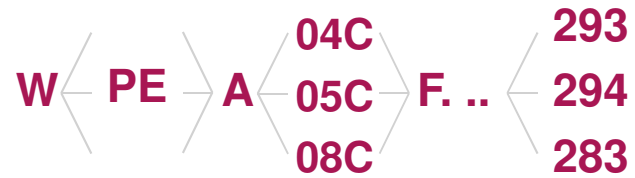
# Free assembled straight



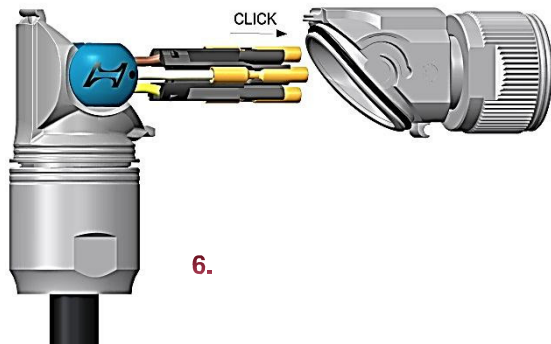
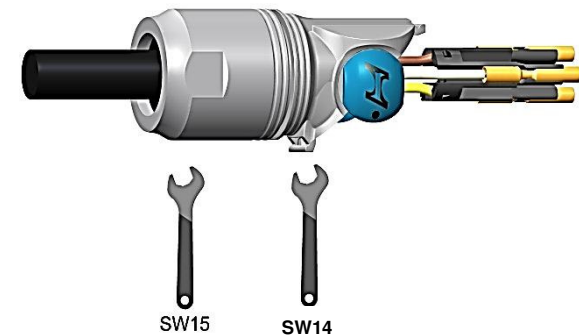
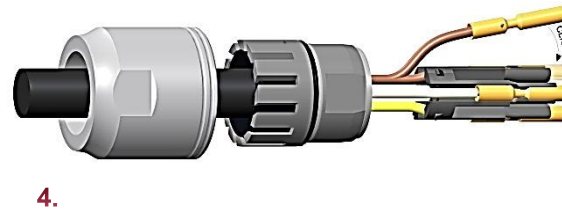
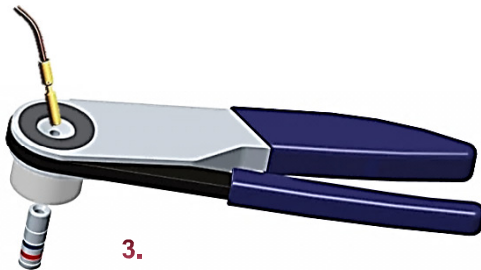
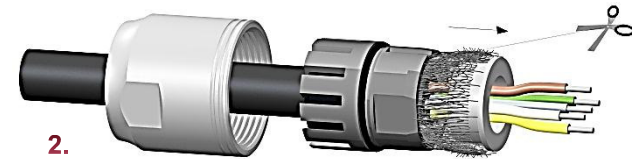
| Stripping length |          |     |
|------------------|----------|-----|
|                  | Contacts |     |
|                  | HC       | HCS |
| X                | 4mm      | 3mm |
| A                | 23mm     |     |



# Free assembled 90°



| Stripping length |          |     |
|------------------|----------|-----|
|                  | Contacts |     |
|                  | HC       | HCS |
| X                | 4mm      | 3mm |
| A                | 33mm     |     |



# Free assembled 90°

W ← RE → A { 04D } M. ... { 293  
 { 05D } { 294  
 { 08D } { 283



| Stripping length |          |     |
|------------------|----------|-----|
|                  | Contacts |     |
|                  | HC       | HCS |
| X                | 4mm      | 3mm |
| A                | 33mm     |     |

