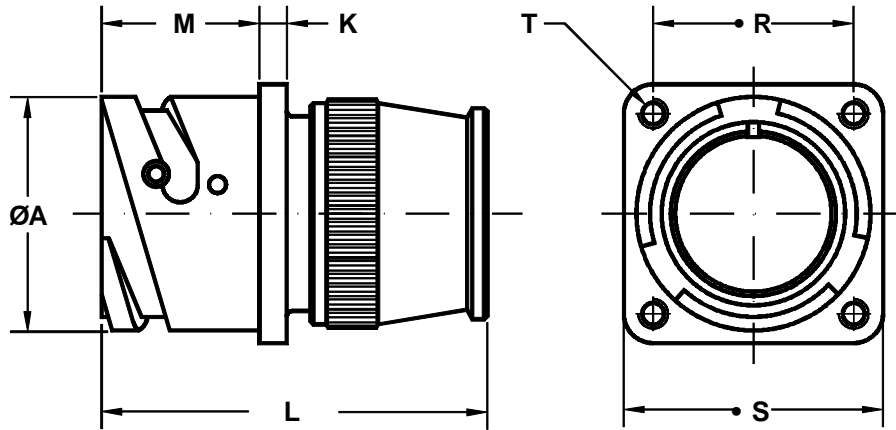


Conector de base cuadrada para montaje trasero en panel
Rear box mounting receptacle



Ej. / Ex. : SCPB31030RS20-27P

Dimensiones del conector Shell size	Ø A 0 -0.1	K ±0.2	L Max.	M +0.2 0	R ±0.1	S +0.2	Rosca T T thread
10 S L	18.2	2.8	43.0	18.5	18.25	25.4	M 4
14 S	24.5	3.3	52.5	18.5	23.00	30.4	M 4
16 S	27.2	3.3	50.5	18.5	24.60	32.5	M 4
16	27.2	3.3	60.5	23.2	24.60	32.5	M 4
18	30.7	4.0	60.5	23.2	27.00	35.0	M 4
20	34.0	4.0	60.5	23.2	29.40	38.0	M 4
22	37.3	4.0	60.5	23.2	31.75	41.0	M 4
24	40.9	4.0	63.5	23.2	34.90	44.5	M 4
28	46.7	4.0	63.5	24.4	39.70	50.9	M 5
32	53.4	4.0	63.5	24.2	44.45	57.0	M 5
36	59.6	4.0	63.5	24.2	49.20	63.5	M 5
40	65.5	4.0	63.5	24.4	55.55	69.9	M 5

Conector de base cuadrada para montaje trasero en panel.

Incluye zócalo estanco (grommet) y cuello posterior.

Para uso con conductores individuales.

Square flange receptacle for rear panel mounting.

Includes wire sealing grommet and backshell. For use with individual wires.