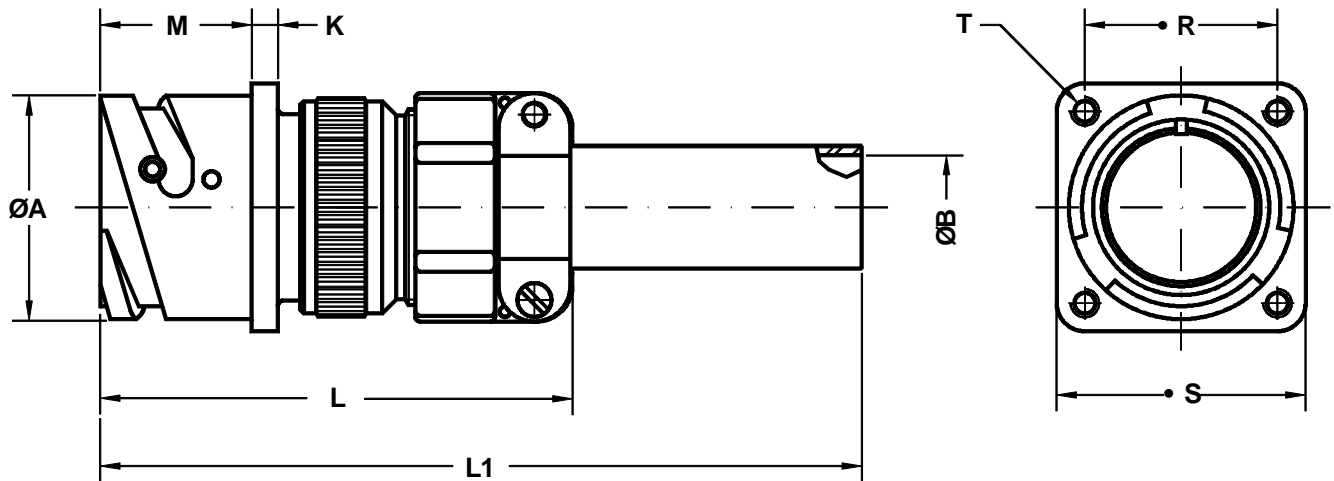


**Conector de base cuadrada para montaje trasero en panel**  
**Rear box mounting receptacle**



Ej./Ex. : SCPB31030F20-27P

Dimensiones del conector Shell size	ØA 0 -0.1	ØB ±0.1	K ±0.2	L Max.	L1 Max.	M +0.2 0	R ±0.1	S +0.2	Rosca T T thread
10 SL	18.2	5.58	2.8	60.0	130	18.5	18.25	25.4	M4
14 S	24.5	7.92	3.3	63.4	130	18.5	23.00	30.4	M4
16 S	27.2	11.09	3.3	65.4	130	18.5	24.60	32.5	M4
16	27.2	11.09	3.3	76.8	140	23.2	24.60	32.5	M4
18	30.7	14.27	4.0	82.8	145	23.2	27.00	35.0	M4
20	34.0	15.87	4.0	79.0	135	23.2	29.40	38.0	M4
22	37.3	15.87	4.0	79.0	135	23.2	31.75	41.0	M4
24	40.9	19.05	4.0	81.7	135	23.2	34.90	44.5	M4
28	46.7	19.05	4.0	88.2	140	24.4	39.70	50.9	M5
32	53.4	23.79	4.0	95.3	145	24.2	44.45	57.0	M5
36	59.6	31.75	4.0	101.8	150	24.2	49.20	63.5	M5
40	65.5	34.92	4.0	120.8	165	24.4	55.55	69.9	M5

Conector de base cuadrada para montaje trasero en panel.  
Incluye zócalo estanco (grommet), adaptador con mecanizado posterior, brida tipo A (MS3057) para cable y manguito reductor de neopreno.

Square flange receptacle for rear panel mounting.  
Includes insulating grommet, backshell, class A SCPB3057 cable clamp and neoprene sleeve.  
No grommet supplied.