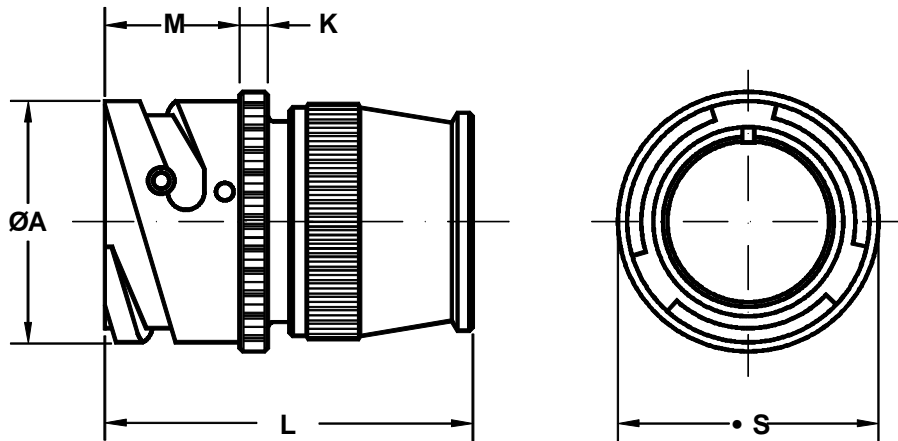


SCPB 3101 RS
SCPB 4101 RS



Conector recto para prolongación aérea In-line receptacle



Ej. / Ex. : SCPB3101RS20-27P

Dimensiones de conector Shell size	ØA +0 -0.1	K ±0.2	L Max.	M +0.2 -0	ØQ ±0.1
10 SL	18.2	2.8	38.0	14.3	21.8
14 S	24.5	3.3	47.5	14.5	38.8
16 S	27.2	3.3	45.5	14.5	30.5
16	27.2	3.3	55.5	19.1	30.5
18	30.7	4.0	55.5	19.1	33.8
20	34.0	4.0	55.5	19.1	36.9
22	37.3	4.0	55.5	19.6	39.5
24	40.9	4.0	58.5	20.6	43.9
28	46.7	4.0	58.5	20.7	48.4
32	53.4	4.0	58.5	22.3	56.0
36	59.6	4.0	58.5	22.3	62.4
40	65.5	4.0	58.5	22.3	68.6

Conector recto para prolongación aérea.
Incluye zócalo estanco (grommet) y cuello
posterior.
Para uso con conductores individuales.

In-line receptacle.
Includes wire sealing grommet and
backshell. For use with individual wires.