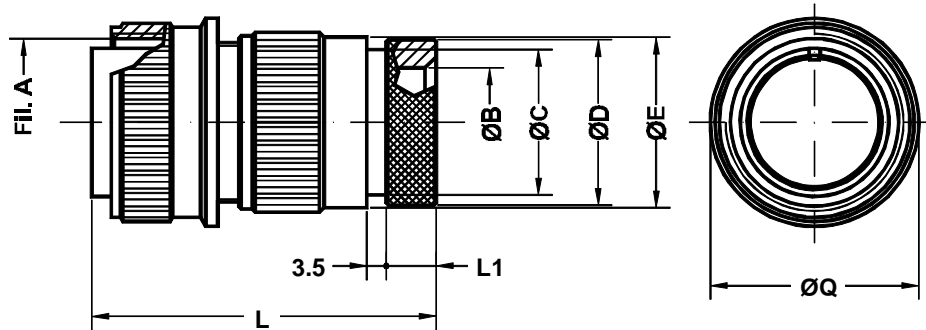


## Conector aéreo recto Straight plug



Ej./Ex. : SCP3106G20-27P

Dimensiones del conector Shell Size	Rosca A A thread	B m in .	C ±0.1	D ±0.2	E ±0.2	L Max .	L1 ±0.1	Q ±0.2
10 S L	0.6250 - 24U N E F	8.5	13.0	15.5	17.0	52.7	8.2	24.1
12 S	0.7500 - 20U N E F	8.5	13.0	15.5	17.0	52.7	8.2	25.0
12	0.7500 - 20U N E F	8.5	13.0	15.5	17.0	57.5	8.2	25.0
14 S	0.8750 - 20U N E F	12.0	16.5	19.1	20.1	53.4	8.2	28.0
14	0.8750 - 20U N E F	12.0	16.5	19.1	20.1	55.0	8.2	28.0
16 S	1.0000 - 20U N E F	14.5	21.5	23.9	23.5	53.4	8.2	31.5
16	1.0000 - 20U N E F	14.5	21.5	23.9	23.5	65.8	8.0	31.5
18	1.1250 - 18U N E F	17.5	21.7	23.9	26.5	65.8	8.0	34.0
20	1.2500 - 18U N E F	19.5	26.0	29.6	30.5	66.1	8.9	37.2
22	1.3750 - 18U N E F	22.0	26.0	29.6	33.6	66.1	8.9	40.4
24	1.5000 - 18U N E F	25.0	34.5	37.8	36.1	65.7	9.2	43.5
28	1.7500 - 18U N S	29.0	34.3	37.8	41.4	66.2	9.2	49.9
32	2.0000 - 18U N S	34.0	43.6	47.8	48.6	73.8	11.7	56.0
36	2.2500 - 16U N	38.5	43.6	47.8	54.8	83.8	11.7	62.5
40	2.5000 - 16U N	48.0	52.6	57.8	60.9	83.8	11.7	69.0

Conector aéreo recto.  
Incluye zócalo estanco (grommet) y adaptador para bota termorretractil.

Straight plug.  
Includes wire sealing grommet and backshell for heat shrink tubing.