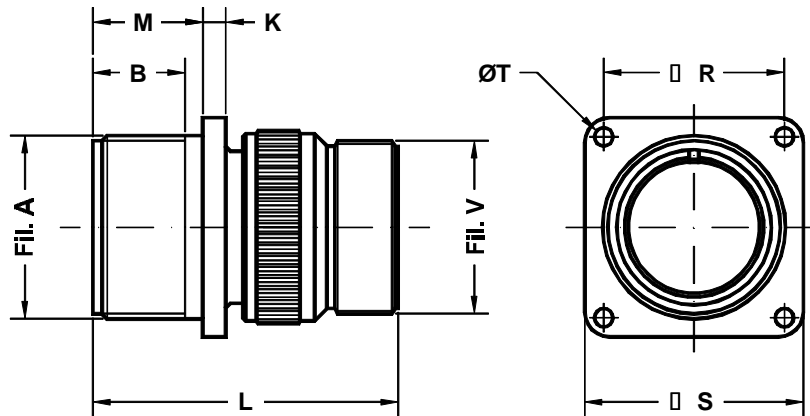


Conector para panel Wall mounting receptacle



Ej. / Ex. :SCP3100A20-27P

Dimensiones del conector Shell Size	Rosca A A thread	B min.	K ±0.2	L Max.	M +0.2 -0	R ±0.1	S ±0.2	T +0.1 -0	Rosca V V thread
10 SL	0.6250 - 24UNEF	11	2.8	44.0	14.3	18.25	25.4	3.2	0.6250 - 24UNEF
12 S	0.7500 - 20UNEF	11	2.8	44.0	14.3	20.60	27.8	3.2	0.6250 - 24UNEF
12	0.7500 - 20UNEF	16	2.8	51.5	19.1	20.60	27.8	3.2	0.6250 - 24UNEF
14 S	0.8750 - 20UNEF	11	3.3	46.4	14.5	23.00	30.0	3.2	0.7500 - 20UNEF
14	0.8750 - 20UNEF	16	3.3	53.0	19.1	23.00	30.0	3.2	0.7500 - 20UNEF
16 S	1.0000 - 20UNEF	11	3.3	46.4	14.5	24.60	32.5	3.2	0.8750 - 20UNEF
16	1.0000 - 20UNEF	16	3.3	57.8	19.1	24.60	32.5	3.2	0.8750 - 20UNEF
18	1.1250 - 18UNEF	16	4.0	57.8	19.1	27.00	35.0	3.2	1.0000 - 20UNEF
20	1.2500 - 18UNEF	16	4.0	58.1	19.1	29.40	38.0	3.2	1.1875 - 18UNEF
22	1.3750 - 18UNEF	16	4.0	58.1	19.6	31.75	41.0	3.2	1.1875 - 18UNEF
24	1.5000 - 18UNEF	17	4.0	59.7	20.6	34.90	44.5	3.7	1.4375 - 18UNEF
28	1.7500 - 18UNS	17	4.0	66.2	20.0	39.70	50.9	3.7	1.4375 - 18UNEF
32	2.0000 - 18UNS	17	4.0	71.3	22.3	44.45	57.0	4.3	1.7500 - 18UNS
36	2.2500 - 16UN	17	4.0	76.8	22.3	49.20	63.5	4.3	2.0000 - 18UNS
40	2.5000 - 16UN	17	4.0	76.8	22.3	55.55	69.9	4.3	2.2500 - 16UN

Conector de base cuadrada para panel.
Incluye adaptador con mecanizado posterior
para abrazadera de cable MS3057 - XX A/B/C.
Zócalo estanco no incluido.

Wall mounting receptacle.
Includes backshell for cable clamp
SCPB3057-XX A/B/C.
No grommet supplied .