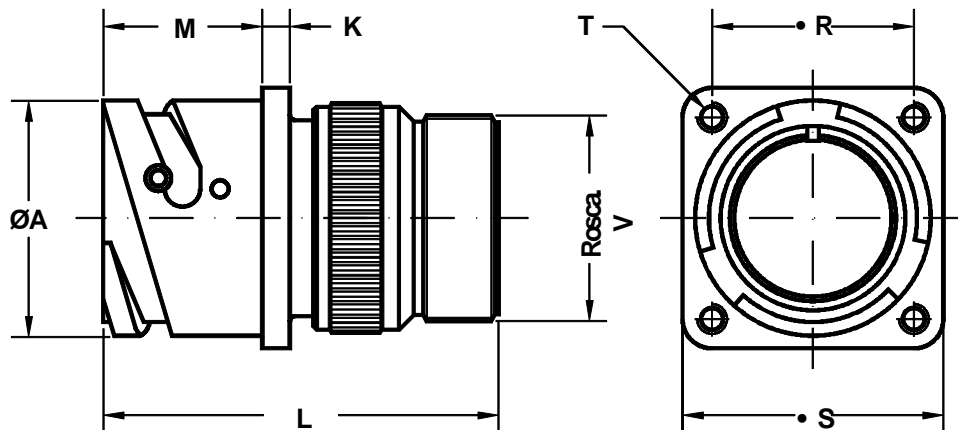


**Conector de base cuadrada para montaje trasero en panel**  
**Rear box mounting receptacle**



Ej. / Ex. : SCPB31030A20-27P

Dimensiones del conector Shell size	ØA 0 -0.1	K ±0.2	L Max.	M +0.2 0	R ±0.1	S +0.2	Rosca T T thread	Rosca V V thread
10 S L	18.2	2.8	49.0	18.5	18.25	25.4	M4	0.6250 - 24UNEF
14 S	24.5	3.3	51.5	18.5	23.00	30.4	M4	0.7500 - 20UNEF
16 S	27.2	3.3	51.5	18.5	24.60	32.5	M4	0.8750 - 20UNEF
16	27.2	3.3	63.0	23.2	24.60	32.5	M4	0.8750 - 20UNEF
18	30.7	4.0	63.0	23.2	27.00	35.0	M4	1.0000 - 20UNEF
20	34.0	4.0	63.0	23.2	29.40	38.0	M4	1.1875 - 18UNEF
22	37.3	4.0	63.0	23.2	31.75	41.0	M4	1.1875 - 18UNEF
24	40.9	4.0	64.5	23.2	34.90	44.5	M4	1.4375 - 18UNEF
28	46.7	4.0	71.0	24.4	39.70	50.9	M5	1.4375 - 18UNEF
32	53.4	4.0	76.5	24.2	44.45	57.0	M5	1.7500 - 18UNS
36	59.6	4.0	82.0	24.2	49.20	63.5	M5	2.0000 - 18UNS
40	65.5	4.0	82.0	24.4	55.55	69.9	M5	2.2500 - 16UN

Conector de base cuadrada para montaje trasero en panel.

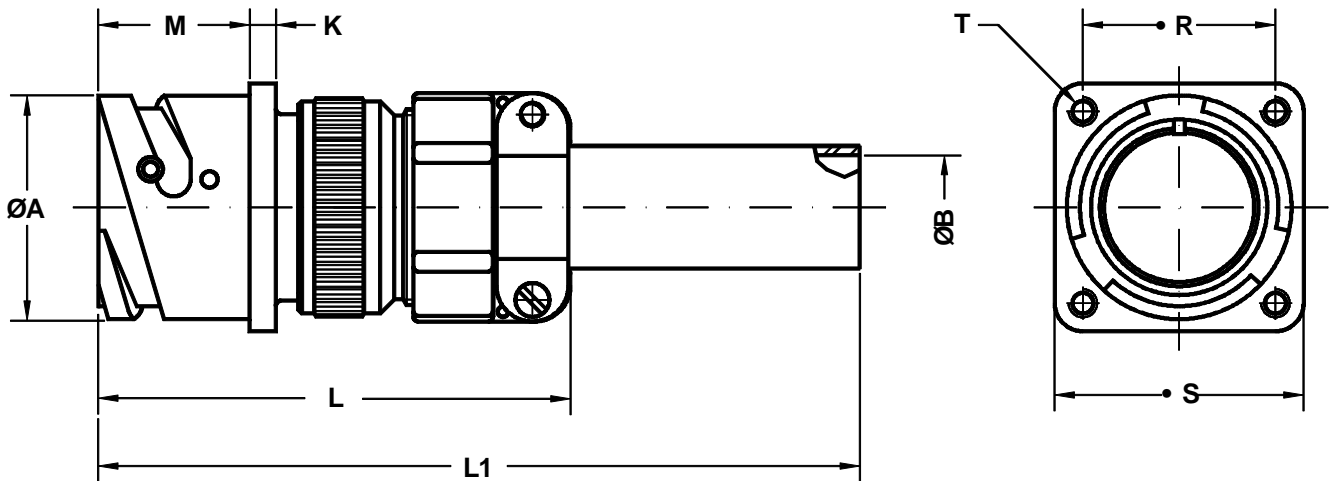
Suministrado con adaptador para brida SCP3057-XX A/B/C.

Square flange receptacle for rear panel mounting.

Includes backshell for cable clamp IT3057-XX A/B/C.

No grommet supplied.

**Conector de base cuadrada para montaje trasero en panel**  
**Rear box mounting receptacle**



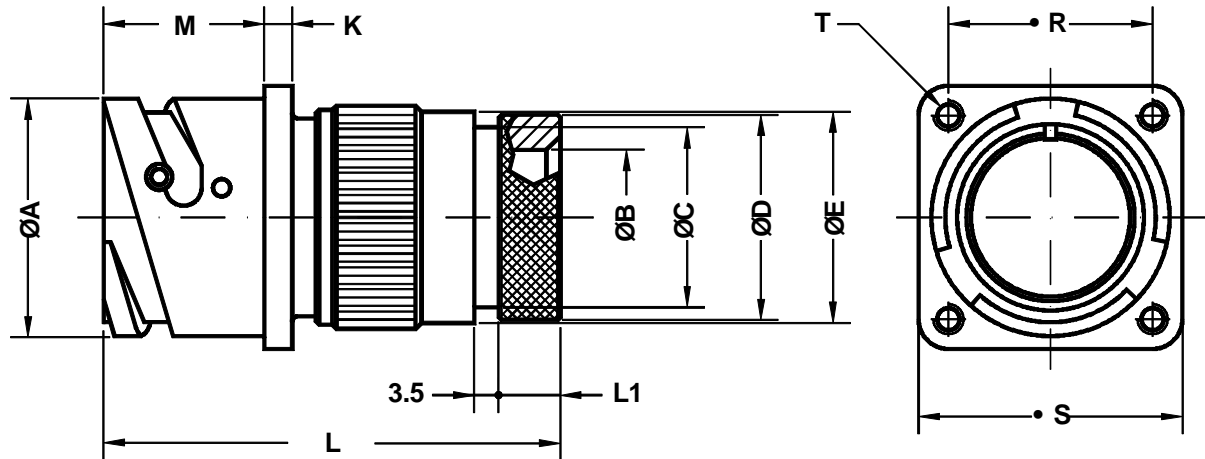
Ej./Ex. : SCPB31030F20-27P

Dimensiones del conector Shell size	ØA 0 -0.1	ØB ±0.1	K ±0.2	L Max.	L1 Max.	M +0.2 0	R ±0.1	S +0.2	Rosca T T thread
10 SL	18.2	5.58	2.8	60.0	130	18.5	18.25	25.4	M4
14 S	24.5	7.92	3.3	63.4	130	18.5	23.00	30.4	M4
16 S	27.2	11.09	3.3	65.4	130	18.5	24.60	32.5	M4
16	27.2	11.09	3.3	76.8	140	23.2	24.60	32.5	M4
18	30.7	14.27	4.0	82.8	145	23.2	27.00	35.0	M4
20	34.0	15.87	4.0	79.0	135	23.2	29.40	38.0	M4
22	37.3	15.87	4.0	79.0	135	23.2	31.75	41.0	M4
24	40.9	19.05	4.0	81.7	135	23.2	34.90	44.5	M4
28	46.7	19.05	4.0	88.2	140	24.4	39.70	50.9	M5
32	53.4	23.79	4.0	95.3	145	24.2	44.45	57.0	M5
36	59.6	31.75	4.0	101.8	150	24.2	49.20	63.5	M5
40	65.5	34.92	4.0	120.8	165	24.4	55.55	69.9	M5

Conector de base cuadrada para montaje trasero en panel.  
Incluye zócalo estanco (grommet), adaptador con mecanizado posterior, brida tipo A (MS3057) para cable y manguito reductor de neopreno.

Square flange receptacle for rear panel mounting.  
Includes insulating grommet, backshell, class A SCPB3057 cable clamp and neoprene sleeve.  
No grommet supplied.

**Conector de base cuadrada para montaje trasero en panel**  
**Rear box mounting receptacle**



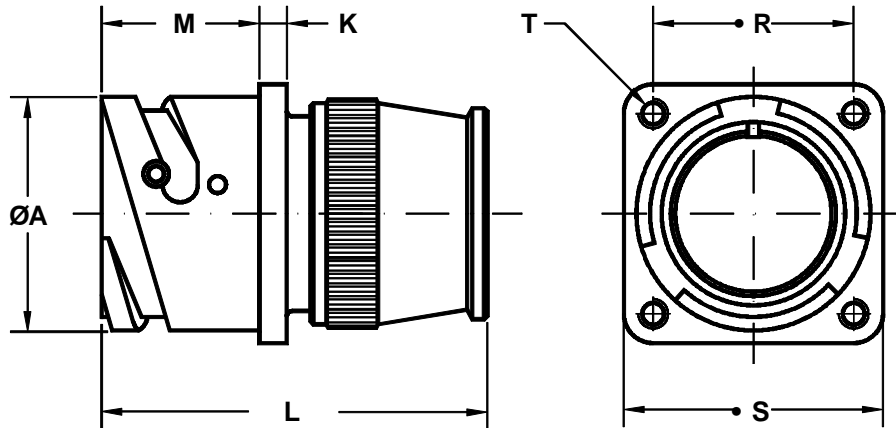
Ej. / Ex. : SCPB31030G20-27P

Dimensiones del conector Shell size	ØA +0 -0.1	ØB min.	ØC ±0.1	ØD ±0.2	ØE ±0.2	K ±0.2	L Max.	L1 Max.	M +0.2 0	R ±0.1	S +0.2	Rosca T T thread
10 SL	18.2	8.5	13.0	15.5	17.0	2.8	57.5	8.2	18.5	18.25	25.4	M4
14 S	24.5	12.0	16.5	19.1	20.1	3.3	58.4	8.2	18.5	23.00	30.4	M4
16 S	27.2	14.5	21.5	23.9	23.5	3.3	58.4	8.2	18.5	24.60	32.5	M4
16	27.2	14.5	21.5	23.9	23.5	3.3	70.8	8.0	23.2	24.60	32.5	M4
18	30.7	17.5	21.7	23.9	26.5	4.0	70.8	8.0	23.2	27.00	35.0	M4
20	34.0	19.5	26.0	29.6	30.5	4.0	71.1	8.9	23.2	29.40	38.0	M4
22	37.3	22.0	26.0	29.6	33.6	4.0	71.1	8.9	23.2	31.75	41.0	M4
24	40.9	25.0	34.5	37.8	36.1	4.0	70.7	9.2	23.2	34.90	44.5	M4
28	46.7	29.0	34.5	37.8	41.4	4.0	71.2	9.2	24.4	39.70	50.9	M5
32	53.4	34.0	43.6	47.8	48.6	4.0	78.8	11.7	24.2	44.45	57.0	M5
36	59.6	38.5	43.6	47.8	54.8	4.0	88.8	11.7	24.2	49.20	63.5	M5
40	65.5	48.0	52.6	57.8	60.9	4.0	88.8	11.7	24.4	55.55	69.9	M5

Conector de base cuadrada para montaje trasero en panel.  
Incluye zócalo estanco (grommet) y adaptador para bota termorretráctil.

Square flange receptacle for rear panel mounting.  
Includes wire sealing grommet and backshell for heat shrink tubing.

**Conector de base cuadrada para montaje trasero en panel**  
**Rear box mounting receptacle**



Ej. / Ex. : SCPB31030RS20-27P

Dimensiones del conector Shell size	Ø A 0 -0.1	K ±0.2	L Max.	M +0.2 0	R ±0.1	S +0.2	Rosca T T thread
10 S L	18.2	2.8	43.0	18.5	18.25	25.4	M 4
14 S	24.5	3.3	52.5	18.5	23.00	30.4	M 4
16 S	27.2	3.3	50.5	18.5	24.60	32.5	M 4
16	27.2	3.3	60.5	23.2	24.60	32.5	M 4
18	30.7	4.0	60.5	23.2	27.00	35.0	M 4
20	34.0	4.0	60.5	23.2	29.40	38.0	M 4
22	37.3	4.0	60.5	23.2	31.75	41.0	M 4
24	40.9	4.0	63.5	23.2	34.90	44.5	M 4
28	46.7	4.0	63.5	24.4	39.70	50.9	M 5
32	53.4	4.0	63.5	24.2	44.45	57.0	M 5
36	59.6	4.0	63.5	24.2	49.20	63.5	M 5
40	65.5	4.0	63.5	24.4	55.55	69.9	M 5

Conector de base cuadrada para montaje trasero en panel.

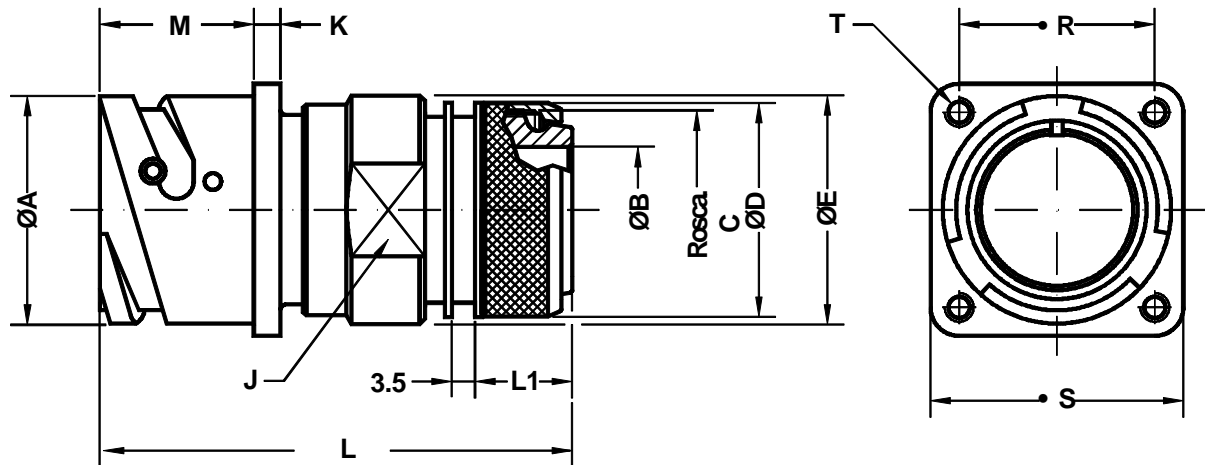
Incluye zócalo estanco (grommet) y cuello posterior.

Para uso con conductores individuales.

Square flange receptacle for rear panel mounting.

Includes wire sealing grommet and backshell. For use with individual wires.

**Conector de base cuadrada para montaje trasero en panel**  
**Rear box mounting receptacle**



Ej. / Ex. : SCPB31030SP20-27P

Dimensiones del conector Shell size	ØA 0 -0.1	ØB min.	Rosca C C thread	ØD ±0.2	ØE ±0.2	LL. J J key	K ±0.2	L Max.	L1 Max.	M +0.2 0	R ±0.1	S +0.2	Rosca T T thread
10 SL	18.2	8.5	M16 x 1	18.5	22.0	20	2.8	57.0	13.5	18.5	18.25	25.4	M4
14 S	24.5	12.0	M20 x 1	22.3	25.0	23	3.3	57.0	13.5	18.5	23.00	30.4	M4
16 S	27.2	14.5	M23 x 1	25.3	28.0	26	3.3	59.0	14.6	18.5	24.60	32.5	M4
16	27.2	14.5	M23 x 1	25.3	28.0	26	3.3	68.0	14.6	23.2	24.60	32.5	M4
18	30.7	17.5	M26 x 1	28.0	30.0	28	4.0	69.5	14.6	23.2	27.00	35.0	M4
20	34.0	19.5	M30 x 1	32.3	34.5	32	4.0	69.5	14.6	23.2	29.40	38.0	M4
22	37.3	22.0	M32 x 1	34.3	38.0	36	4.0	69.5	14.6	23.2	31.75	41.0	M4
24	40.9	25.0	M36 x 1	38.3	41.0	39	4.0	71.0	14.6	23.2	34.90	44.5	M4
28	46.7	29.0	M39 x 1	41.2	48.0	46	4.0	71.0	14.6	24.4	39.70	50.9	M5
32	53.4	34.0	M45 x 1	48.3	54.0	52	4.0	72.5	14.6	24.2	44.45	57.0	M5
36	59.6	38.5	M52 x 1	55.0	61.0	58	4.0	73.0	15.5	24.2	49.20	63.5	M5
40	65.5	48.0	M59 x 1	62.0	68.0	65	4.0	73.0	15.5	24.4	55.55	69.9	M5

Conector de base cuadrada para montaje trasero en panel.  
Incluye grommet y adaptador inspeccionable para terminación de pantalla y bota termorretráctil .

Square flange receptacle for rear panel mounting.  
Includes wire sealing grommet and backshell with rotating clamp nut. Shielded cable is terminated with a "braid trap" nut and heat shrink tubing (optional).