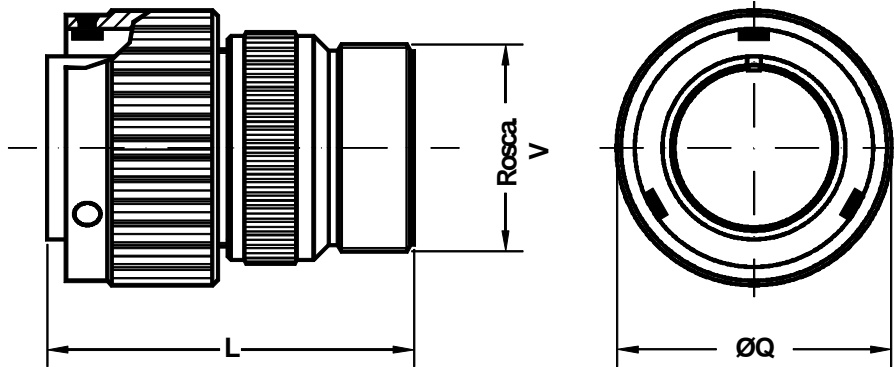


Conector aéreo recto
Straight plug



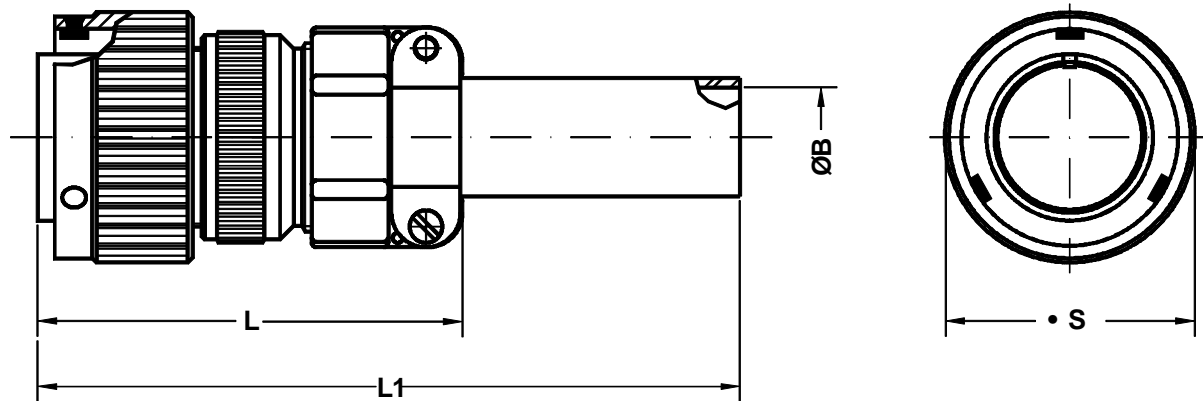
Ej./Ex. : SCPB3106A20-27P

Dimensiones de conector Shell size	L Max.	ØQ ±0.2	Rosca V (pul.) V thread (inch)
10 SL	44.0	22.6	0.6250 - 24UNEF
14 S	46.4	29.0	0.7500 - 20UNEF
16 S	46.4	31.6	0.8750 - 20UNEF
16	57.8	31.6	0.8750 - 20UNEF
18	57.8	36.2	1.0000 - 20UNEF
20	58.1	39.8	1.1875 - 18UNEF
22	58.1	43.0	1.1875 - 18UNEF
24	59.7	46.4	1.4375 - 18UNEF
28	66.2	53.0	1.4375 - 18UNEF
32	71.3	60.0	1.7500 - 18UNS
36	76.8	66.2	2.0000 - 18UNS
40	76.8	72.3	2.2500 - 16UN

Conector aéreo recto.
Incluye adaptador con mecanizado posterior para brida MS3057 - XX A/B/C.
En la versión de clase R se incluye zócalo estanco (grommet).

Straight plug.
Includes backshell for cable clamp MS3057-XX A/B/C.
The class R includes an insulating grommet.

Conector aéreo recto
Straight plug



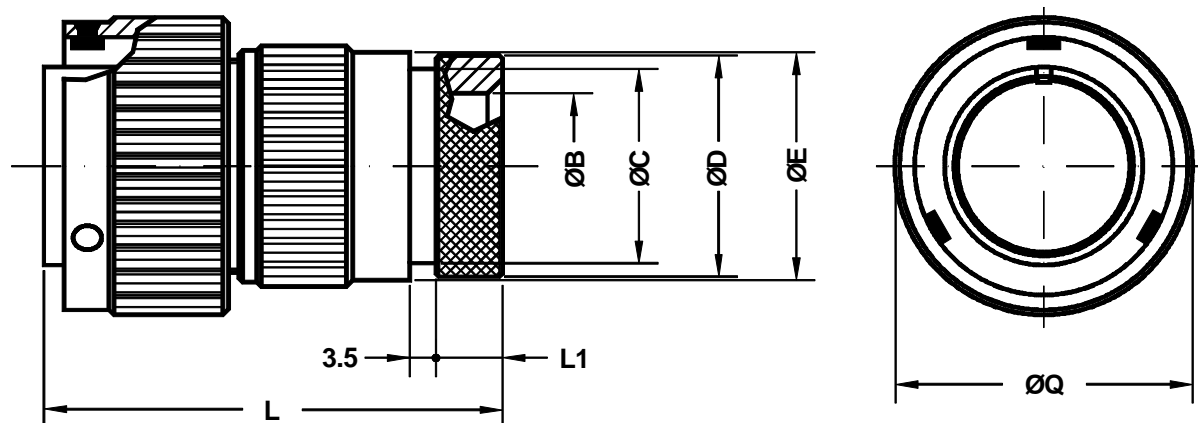
Ej. / Ex. : SCPB3106F20-27P

Dimensiones de conector Shell size	Ø B ±0.1	L Max.	L 1 Max.	Ø Q ±0.2
10 S L	5.58	55.0	125	22.6
14 S	7.92	58.4	125	29.0
16 S	11.09	60.4	125	31.6
16	11.09	71.8	135	31.6
18	14.27	77.8	140	36.2
20	15.87	74.0	130	39.8
22	15.87	74.0	130	43.0
24	19.05	76.7	130	46.4
28	19.05	83.2	135	53.0
32	23.79	90.3	140	60.0
36	31.75	96.8	145	66.2
40	34.92	115.8	160	72.3

Conector aéreo recto.
Incluye zócalo estanco (grommet), adaptador
con mecanizado posterior, brida tipo A
(SCPB3057-XXA) para cable y manguito
reductor de neopreno.

Straight plug.
Includes insulating grommet, backshell,
class A SCPB3057-XXA cable clamp and
neoprene sleeve.

Conector aéreo recto
Straight plug



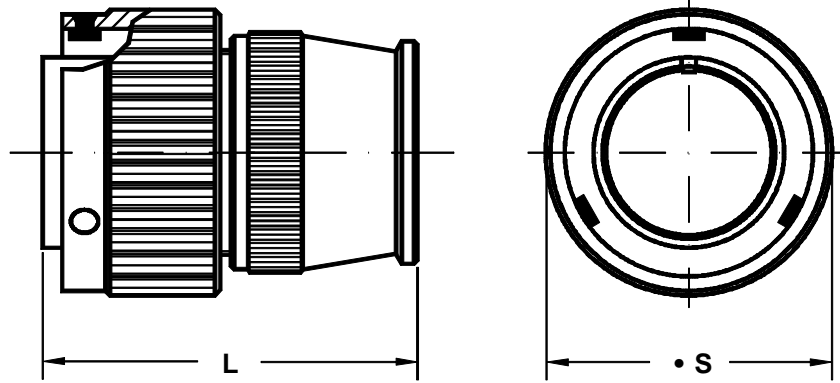
Ej./ Ex. : SCPB3106G20-27P

Dimensiones de conector Shell size	ØB min.	ØC ±0.1	ØD ±0.2	ØE ±0.2	L Max.	L1 Max.	ØQ ±0.2
10 SL	8.5	13.0	15.5	17.0	52.7	8.2	22.6
14 S	12.0	16.5	19.1	20.1	53.4	8.2	29.0
16 S	14.5	21.5	23.9	23.5	53.4	8.2	31.6
16	14.5	21.5	23.9	23.5	65.8	8.0	31.6
18	17.5	21.7	23.9	26.5	65.8	8.0	36.2
20	19.5	26.0	29.6	30.5	66.1	8.9	39.8
22	22.0	26.0	29.6	33.6	66.1	8.9	43.0
24	25.0	34.5	37.8	36.1	65.7	9.2	46.4
28	29.0	34.5	37.8	41.4	66.2	9.2	53.0
32	34.0	43.6	47.8	48.6	73.8	11.7	60.0
36	38.5	43.6	47.8	54.8	83.8	11.7	66.2
40	48.0	52.6	57.8	60.9	83.8	11.7	72.3

Conector aéreo recto.
Incluye zócalo estanco (grommet) y adaptador
para bota termorretractil.

Straight plug.
Includes wire sealing grommet and backshell
for heat shrink tubing.

Conector aéreo recto
Straight plug



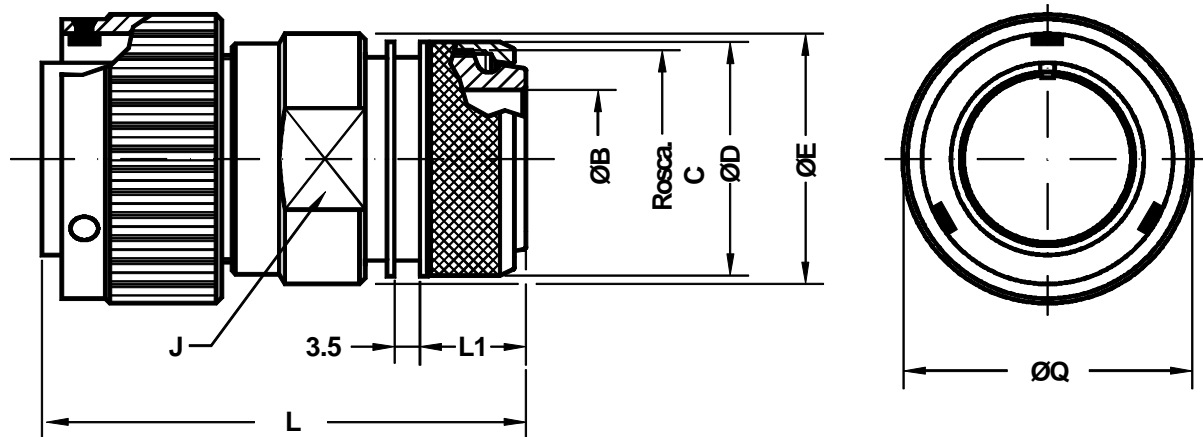
Ej. / Ex. : SCPB3106RS20-27P

Dimensiones del conector Shell size	L Max.	ØQ ±0.2
10 SL	38.0	22.6
14 S	47.5	29.0
16 S	45.5	31.6
16	55.5	31.6
18	55.5	36.2
20	55.5	39.8
22	55.5	43.0
24	58.5	46.4
28	58.5	53.0
32	58.5	60.0
36	58.5	66.2
40	58.5	72.3

Conector aéreo recto.
Incluye zócalo estanco (grommet) y cuello
posterior.
Para uso con conductores individuales.

Straight plug.
Includes wire sealing grommet and
backshell. For use with individual wires.

Conector aéreo recto
Straight plug



Ej. / Ex. : SCPB3106SP20-27P

Dimensiones del conector Shell size	ØB min.	Rosca C C thread	ØD ±0.2	ØE ±0.2	LL. J J key	L Max.	L1 ±0.1	ØQ ±0.2
10 SL	8.6	M16 x 1	18.5	22.0	20	52.0	13.5	22.6
14 S	10.7	M20 x 1	22.3	25.0	23	52.0	13.5	29.0
16 S	13.9	M23 x 1	25.3	28.0	26	52.0	14.6	31.6
16	13.9	M23 x 1	25.3	28.0	26	63.5	14.6	31.6
18	15.0	M26 x 1	28.0	30.0	28	63.5	14.6	36.2
20	18.8	M30 x 1	32.3	34.5	32	64.5	14.6	39.8
22	22.8	M32 x 1	34.3	38.0	36	64.5	14.6	43.0
24	25.4	M36 x 1	38.3	41.0	39	66.0	14.6	46.4
28	28.3	M39 x 1	41.2	48.0	46	66.0	14.6	53.0
32	35.0	M45 x 1	48.3	54.0	52	67.5	14.6	60.0
36	40.5	M52 x 1	55.0	61.0	58	68.0	15.5	66.2
40	48.0	M59 x 1	62.0	68.0	65	68.0	15.5	72.3

Conector aéreo recto.
Incluye zócalo estanco (grommet) y adaptador
inspeccionable para terminación de pantalla y
bota termorretráctil.

Straight plug.
Includes wire sealing grommet and backshell
with rotating clamp nut. Shielded cable is
terminated with a "braid trap" nut and heat
shrink tubing.