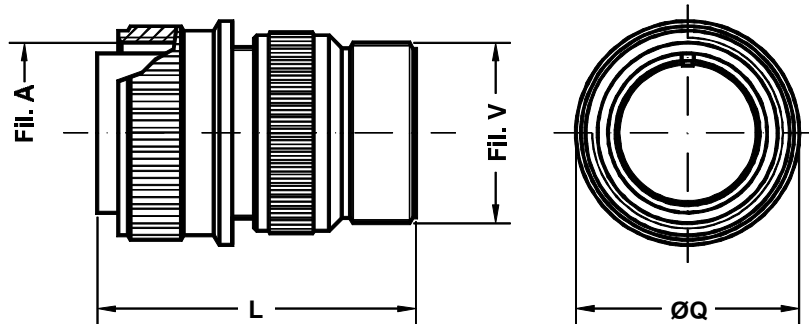


Conector aéreo recto
Straight plug



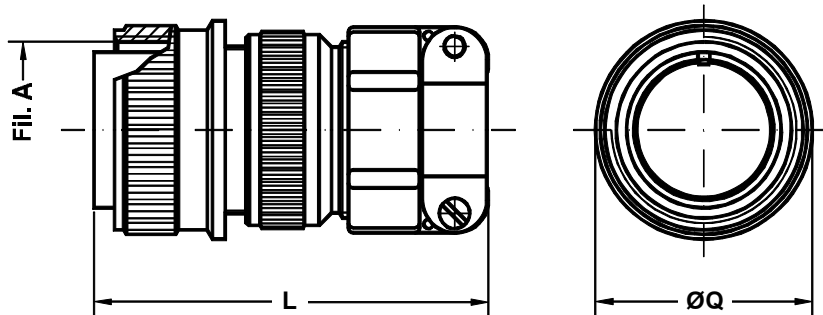
Ej./Ex. : SCP3106A20-27P

Dimensiones del conector Shell Size	Rosca A A thread	L Max.	Q ±0.2	Rosca V V thread
10 S L	0.6250 - 24UNEF	44.0	24.1	0.6250 - 24UNEF
12 S	0.7500 - 20UNEF	44.0	25.0	0.6250 - 24UNEF
12	0.7500 - 20UNEF	51.5	25.0	0.6250 - 24UNEF
14 S	0.8750 - 20UNEF	46.4	28.0	0.7500 - 20UNEF
14	0.8750 - 20UNEF	53.0	28.0	0.7500 - 20UNEF
16 S	1.0000 - 20UNEF	46.4	31.5	0.8750 - 20UNEF
16	1.0000 - 20UNEF	57.8	31.5	0.8750 - 20UNEF
18	1.1250 - 18UNEF	57.8	34.0	1.0000 - 20UNEF
20	1.2500 - 18UNEF	58.1	37.2	1.1875 - 18UNEF
22	1.3750 - 18UNEF	58.1	40.4	1.1875 - 18UNEF
24	1.5000 - 18UNEF	59.7	43.5	1.4375 - 18UNEF
28	1.7500 - 18UNS	66.2	49.9	1.4375 - 18UNEF
32	2.0000 - 18UNS	71.3	56.0	1.7500 - 18UNS
36	2.2500 - 16UN	76.8	62.5	2.0000 - 18UNS
40	2.5000 - 16UN	76.8	69.0	2.2500 - 16UN

Conector aéreo recto.
Incluye adaptador con mecanizado posterior
para brida MS3057 - XX A/B/C.
No incluye zócalo estanco (grommet).

Straight plug.
Includes backshell for cable clamp
MS3057-XX A/B/C.
No grommet supplied.

Conector aéreo recto Straight plug



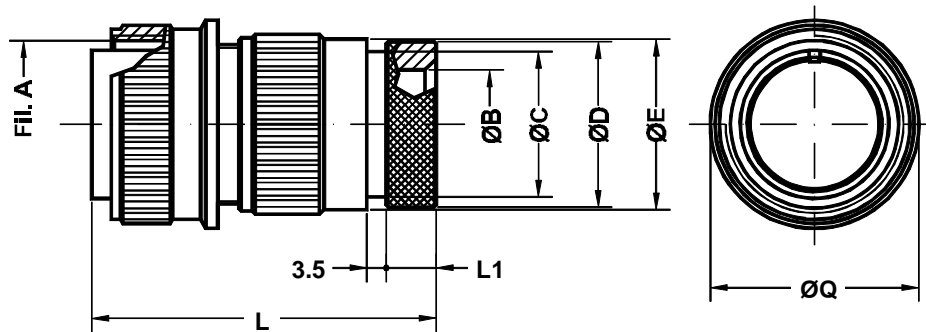
Ej./Ex. : SCP3106F20-27P

Dimensiones del conector Shell Size	Rosca A A thread	L Max.	Q ±0.2
10 SL	0.6250 - 24UNEF	55.0	24.1
12 S	0.7500 - 20UNEF	55.0	25.0
12	0.7500 - 20UNEF	62.5	25.0
14 S	0.8750 - 20UNEF	58.4	28.0
14	0.8750 - 20UNEF	65.0	28.0
16 S	1.0000 - 20UNEF	60.4	31.5
16	1.0000 - 20UNEF	71.8	31.5
18	1.1250 - 18UNEF	77.8	34.0
20	1.2500 - 18UNEF	74.0	37.2
22	1.3750 - 18UNEF	74.0	40.4
24	1.5000 - 18UNEF	76.7	43.5
28	1.7500 - 18UNS	83.2	49.9
32	2.0000 - 18UNS	90.3	56.0
36	2.2500 - 16UN	96.8	62.5
40	2.5000 - 16UN	115.8	69.0

Conector aéreo recto.
Incluye zócalo estanco (grommet), adaptador con
mecanizado posterior y brida tipo A (MS3057) .

Straight plug.
Includes insulating grommet, backshell and
class A SCPB3057 cable clamp.

Conector aéreo recto Straight plug



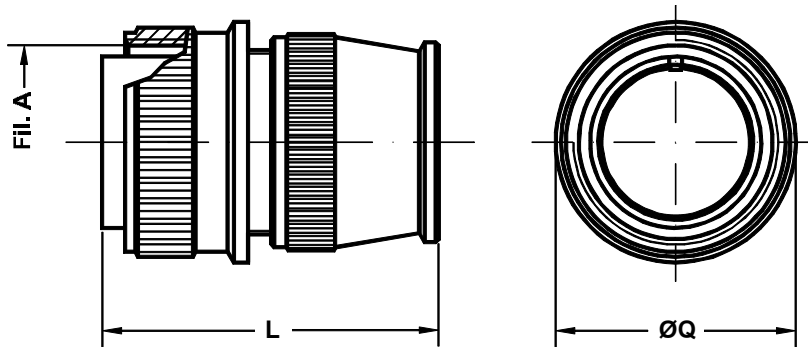
Ej./Ex. : SCP3106G20-27P

Dimensiones del conector Shell Size	Rosca A A thread	B m in .	C ±0.1	D ±0.2	E ±0.2	L Max .	L1 ±0.1	Q ±0.2
10 S L	0.6250 - 24U N E F	8.5	13.0	15.5	17.0	52.7	8.2	24.1
12 S	0.7500 - 20U N E F	8.5	13.0	15.5	17.0	52.7	8.2	25.0
12	0.7500 - 20U N E F	8.5	13.0	15.5	17.0	57.5	8.2	25.0
14 S	0.8750 - 20U N E F	12.0	16.5	19.1	20.1	53.4	8.2	28.0
14	0.8750 - 20U N E F	12.0	16.5	19.1	20.1	55.0	8.2	28.0
16 S	1.0000 - 20U N E F	14.5	21.5	23.9	23.5	53.4	8.2	31.5
16	1.0000 - 20U N E F	14.5	21.5	23.9	23.5	65.8	8.0	31.5
18	1.1250 - 18U N E F	17.5	21.7	23.9	26.5	65.8	8.0	34.0
20	1.2500 - 18U N E F	19.5	26.0	29.6	30.5	66.1	8.9	37.2
22	1.3750 - 18U N E F	22.0	26.0	29.6	33.6	66.1	8.9	40.4
24	1.5000 - 18U N E F	25.0	34.5	37.8	36.1	65.7	9.2	43.5
28	1.7500 - 18U N S	29.0	34.3	37.8	41.4	66.2	9.2	49.9
32	2.0000 - 18U N S	34.0	43.6	47.8	48.6	73.8	11.7	56.0
36	2.2500 - 16U N	38.5	43.6	47.8	54.8	83.8	11.7	62.5
40	2.5000 - 16U N	48.0	52.6	57.8	60.9	83.8	11.7	69.0

Conector aéreo recto.
Incluye zócalo estanco (grommet) y adaptador
para bota termorretractil.

Straight plug.
Includes wire sealing grommet and backshell
for heat shrink tubing.

Conector aéreo recto
Straight plug



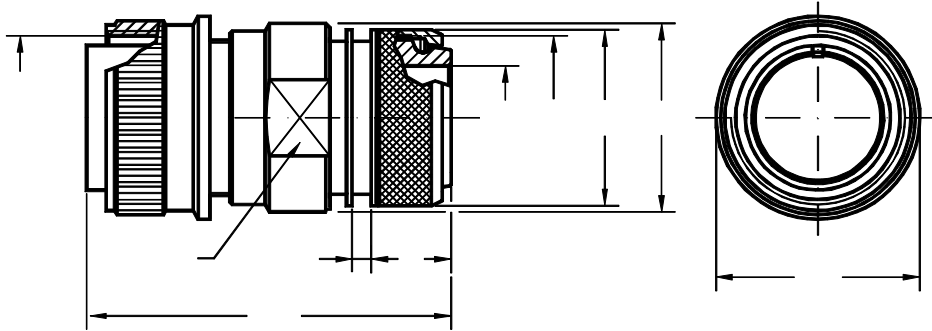
Ej. / Ex. :SCP3106R20-27P

Dimensiones del conector Shell Size	Rosca A A thread	L Max.	Q ±0.2
10 SL	0.6250 - 24UNEF	38.0	24.1
12 S	0.7500 - 20UNEF	38.0	25.0
12	0.7500 - 20UNEF	45.5	25.0
14 S	0.8750 - 20UNEF	47.5	28.0
14	0.8750 - 20UNEF	52.5	28.0
16 S	1.0000 - 20UNEF	45.5	31.5
16	1.0000 - 20UNEF	55.5	31.5
18	1.1250 - 18UNEF	55.5	34.0
20	1.2500 - 18UNEF	55.5	37.2
22	1.3750 - 18UNEF	55.5	40.4
24	1.5000 - 18UNEF	58.5	43.5
28	1.7500 - 18UNS	58.5	49.9
32	2.0000 - 18UNS	58.5	56.0
36	2.2500 - 16UN	58.5	62.5
40	2.5000 - 16UN	58.5	69.0

Conector aéreo recto.
Incluye zócalo estanco (grommet) y cuello posterior.
Para uso con conductores individuales.

Straight plug.
Includes wire sealing grommet and backshell.
For use with individual wires.

Conector aéreo recto Straight plug



Ej./Ex. : SCP3106SP20-27P

Dimensiones del conector Shell Size	Rosca A A thread	B min.	C ±0.1	D ±0.2	E ±0.2	Ch. K K key	L Max.	L1 ±0.1	Q ±0.2
10 SL	0.6250 - 24UNEF	8.5	13.0	15.5	17.0	20	52.7	8.2	24.1
12 S	0.7500 - 20UNEF	8.5	13.0	15.5	17.0	20	52.7	8.2	25.0
12	0.7500 - 20UNEF	8.5	13.0	15.5	17.0	20	57.5	8.2	25.0
14 S	0.8750 - 20UNEF	12.0	16.5	19.1	20.1	23	53.4	8.2	28.0
14	0.8750 - 20UNEF	12.0	16.5	19.1	20.1	23	55.0	8.2	28.0
16 S	1.0000 - 20UNEF	14.5	21.5	23.9	23.5	26	53.4	8.2	31.5
16	1.0000 - 20UNEF	14.5	21.5	23.9	23.5	26	65.8	8.0	31.5
18	1.1250 - 18UNEF	17.5	21.7	23.9	26.5	28	65.8	8.0	34.0
20	1.2500 - 18UNEF	19.5	26.0	29.6	30.5	32	66.1	8.9	37.2
22	1.3750 - 18UNEF	22.0	26.0	29.6	33.6	36	66.1	8.9	40.4
24	1.5000 - 18UNEF	25.0	34.5	37.8	36.1	39	65.7	9.2	43.5
28	1.7500 - 18UNS	29.0	34.3	37.8	41.4	46	66.2	9.2	49.9
32	2.0000 - 18UNS	34.0	43.6	47.8	48.6	52	73.8	11.7	56.0
36	2.2500 - 16UN	38.5	43.6	47.8	54.8	58	83.8	11.7	62.5
40	2.5000 - 16UN	48.0	52.6	57.8	60.9	65	83.8	11.7	69.0

Conector aéreo recto.

Incluye zócalo estanco (grommet) y adaptador inspeccionable para terminación de pantalla y bota termorretráctil.

Straight plug.

Includes wire sealing grommet and backshell with rotating clamp nut. Shielded cable is terminated with a "braid trap" nut and heat shrink tubing.