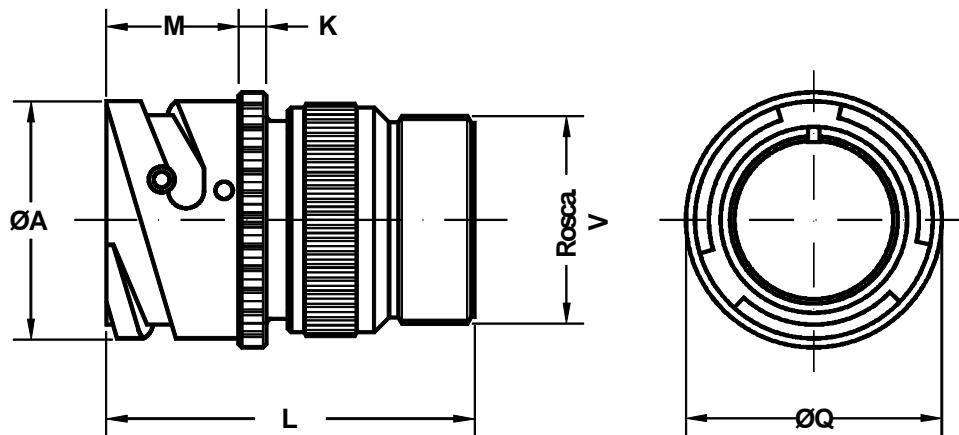


**Conector recto para prolongación aérea**  
**In-line receptacle**



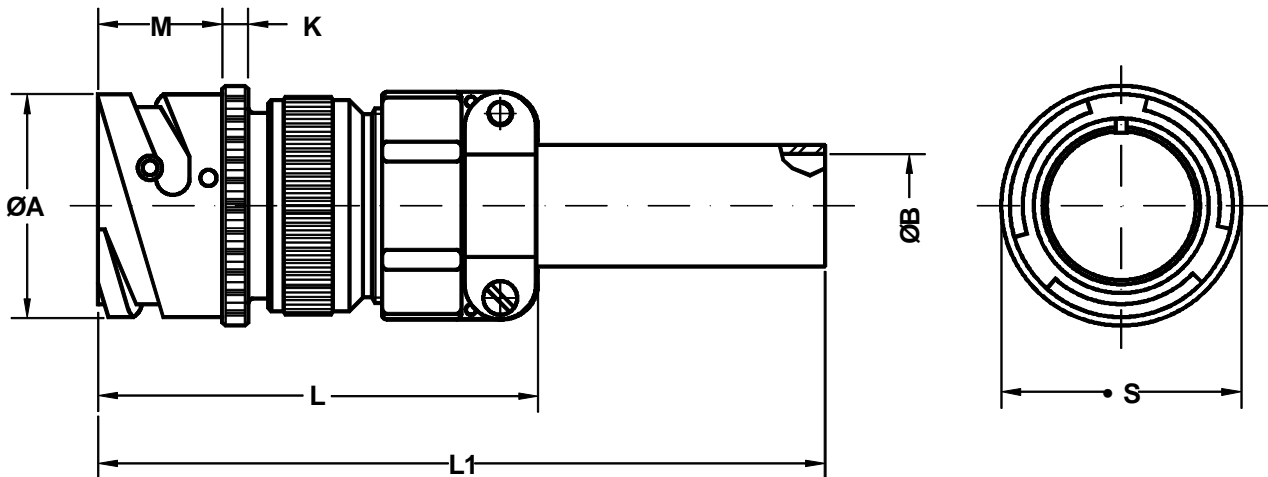
Ej./Ex. : SCPB3101A20-27P

Dimensiones de conector Shell size	ØA +0 -0.1	K ±0.2	L Max.	M +0.2 -0	ØQ ±0.1	Rosca V en (pol.) V thread (inch.)
10 S L	18.2	2.8	44.0	14.3	21.8	0.6250 - 24UNEF
14 S	24.5	3.3	46.4	14.5	28.8	0.7500 - 20UNEF
16 S	27.2	3.3	46.4	14.5	30.5	0.8750 - 20UNEF
16	27.2	3.3	57.8	19.1	30.5	0.8750 - 20UNEF
18	30.7	4.0	57.8	19.1	33.8	1.0000 - 20UNEF
20	34.0	4.0	58.1	19.1	36.9	1.1875 - 18UNEF
22	37.3	4.0	58.1	19.6	39.5	1.1875 - 18UNEF
24	40.9	4.0	59.7	20.6	43.9	1.4375 - 18UNEF
28	46.7	4.0	66.2	20.7	48.4	1.4375 - 18UNEF
32	53.4	4.0	71.3	22.3	56.0	1.7500 - 18UNS
36	59.6	4.0	76.8	22.3	62.4	2.0000 - 18UNS
40	65.5	4.0	76.8	22.3	68.6	2.2500 - 16UN

Conector recto para prolongación aérea. Incluye adaptador con mecanizado posterior para brida MS3057 - XX A/B/C  
En la versión clase R se incluye zócalo estanco (grommet).

In-line receptacle.  
Includes backshell for cable clamp MS3057-XX A/B/C.  
The R class includes insulating grommet.

**Conector recto para prolongación aérea**  
**In-line receptacle**



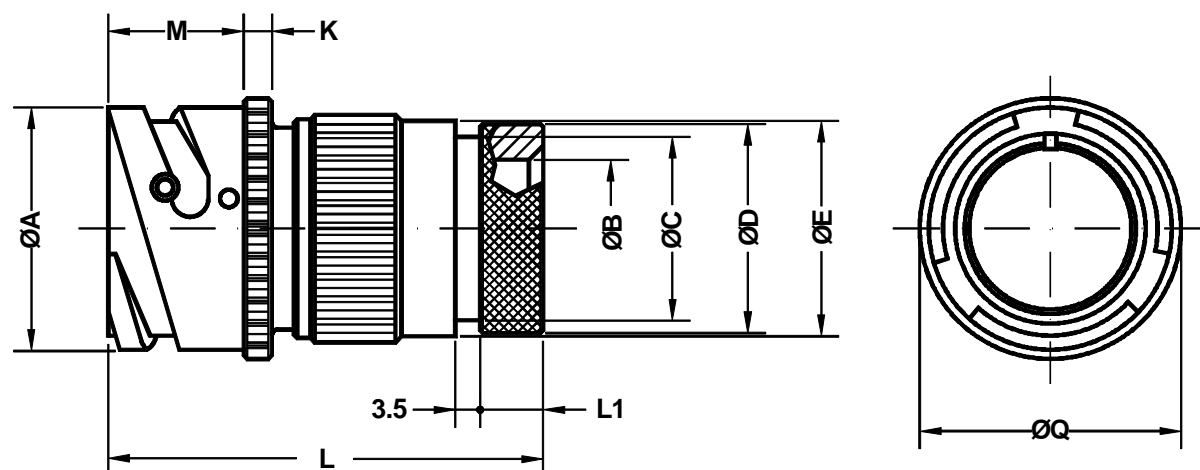
Ej. / Ex. : SCPB3101F20-27P

Dimensiones de conector Shell size	Ø A +0 -0.1	Ø B ±0.1	K ±0.2	L Max.	L 1 Max.	M +0.2 -0	Ø Q ±0.1
10 SL	18.2	5.58	2.8	55.0	125	14.3	21.8
14 S	24.5	7.92	3.3	58.4	125	14.5	28.8
16 S	27.2	11.09	3.3	60.4	125	14.5	30.5
16	27.2	11.09	3.3	71.8	135	19.1	30.5
18	30.7	14.27	4.0	77.8	140	19.1	33.8
20	34.0	15.87	4.0	74.0	130	19.1	36.9
22	37.3	15.87	4.0	74.0	130	19.6	39.5
24	40.9	19.05	4.0	76.7	130	20.6	43.9
28	46.7	19.05	4.0	83.2	135	20.7	48.4
32	53.4	23.79	4.0	90.3	140	22.3	56.0
36	59.6	31.75	4.0	96.8	145	22.3	62.4
40	65.5	34.92	4.0	115.8	160	22.3	68.6

Conector recto para prolongación aérea.  
Incluye zócalo estanco (grommet), adaptador  
con mecanizado posterior, brida tipo A  
(MS3057) para cable y manguito reductor de  
neopreno.

In-line receptacle.  
Includes insulating grommet, backshell,  
class A IT3057 cable clamp and neoprene  
sleeve.

## Conector recto para prolongación aérea In-line receptacle



Ej. / Ex. : SCPB3101G20-27P

Dimensiones de conector Shell size	ØA +0 -0.1	ØB min.	ØC ±0.1	ØD ±0.2	ØE ±0.2	K ±0.2	L Max.	L1 Max.	M +0.2 -0	ØQ ±0.1
10 SL	18.2	8.5	13.0	15.5	17.0	2.8	52.7	8.2	14.3	21.8
14 S	24.5	12.0	16.5	19.1	20.1	3.3	53.4	8.2	14.5	28.8
16 S	27.2	14.5	21.5	23.9	23.5	3.3	53.4	8.2	14.5	30.5
16	27.2	14.5	21.5	23.9	23.5	3.3	65.8	8.0	19.1	30.5
18	30.7	17.5	21.7	23.9	26.5	4.0	65.8	8.0	19.1	33.8
20	34.0	19.5	26.0	29.6	30.5	4.0	66.1	8.9	19.1	36.9
22	37.3	22.0	26.0	29.6	33.6	4.0	66.1	8.9	19.6	39.5
24	40.9	25.0	34.5	37.8	36.1	4.0	65.7	9.2	20.6	43.9
28	46.7	29.0	34.5	37.8	41.4	4.0	66.2	9.2	20.7	48.4
32	53.4	34.0	43.6	47.8	48.6	4.0	73.8	11.7	22.3	56.0
36	59.6	38.5	43.6	47.8	54.8	4.0	83.8	11.7	22.3	62.4
40	65.5	48.0	52.6	57.8	60.9	4.0	83.8	11.7	22.3	68.6

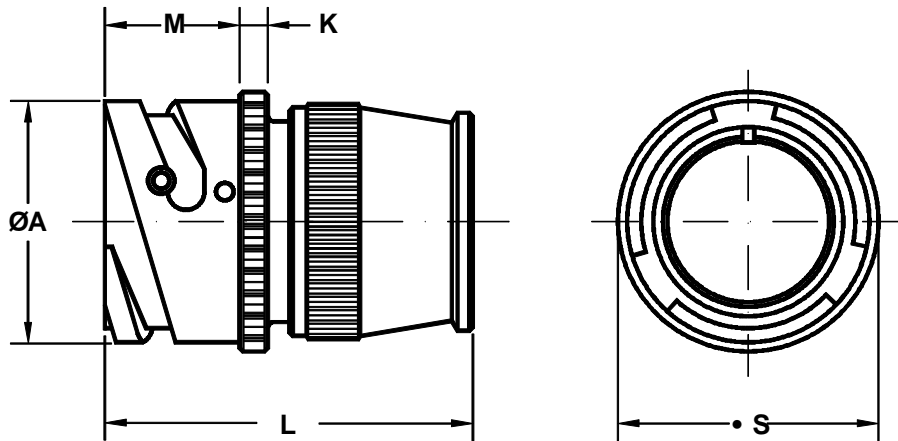
Conector recto para prolongación aérea.  
Incluye zócalo estanco (grommet) y adaptador  
para bota termorretractil.

In-line receptacle.  
Includes wire sealing grommet and backshell  
for heat shrink tubing.

SCPB 3101 RS  
SCPB 4101 RS



## Conector recto para prolongación aérea In-line receptacle



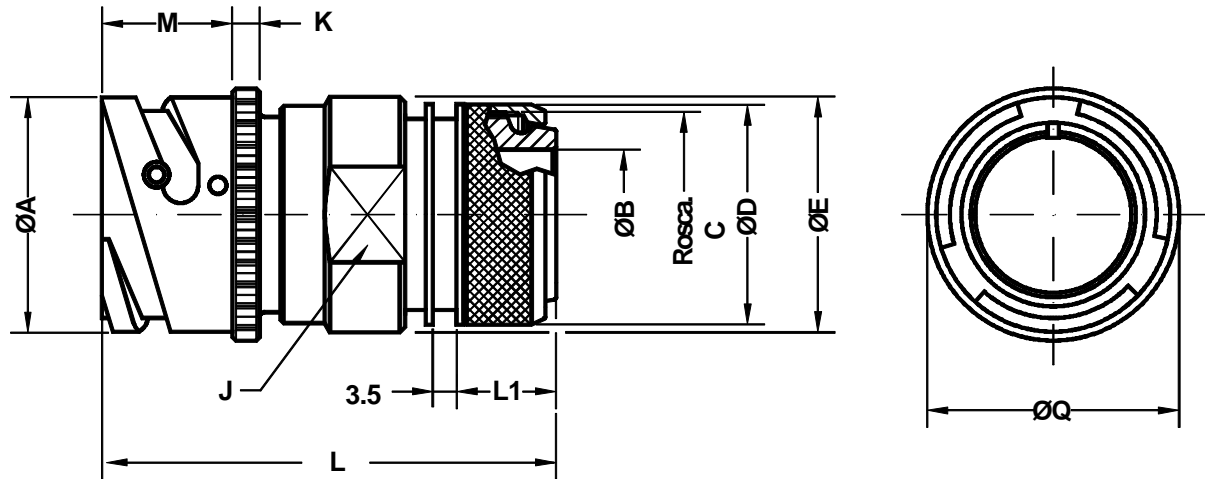
Ej. / Ex. : SCPB3101RS20-27P

Dimensiones de conector Shell size	ØA +0 -0.1	K ±0.2	L Max.	M +0.2 -0	ØQ ±0.1
10 SL	18.2	2.8	38.0	14.3	21.8
14 S	24.5	3.3	47.5	14.5	38.8
16 S	27.2	3.3	45.5	14.5	30.5
16	27.2	3.3	55.5	19.1	30.5
18	30.7	4.0	55.5	19.1	33.8
20	34.0	4.0	55.5	19.1	36.9
22	37.3	4.0	55.5	19.6	39.5
24	40.9	4.0	58.5	20.6	43.9
28	46.7	4.0	58.5	20.7	48.4
32	53.4	4.0	58.5	22.3	56.0
36	59.6	4.0	58.5	22.3	62.4
40	65.5	4.0	58.5	22.3	68.6

Conector recto para prolongación aérea.  
Incluye zócalo estanco (grommet) y cuello  
posterior.  
Para uso con conductores individuales.

In-line receptacle.  
Includes wire sealing grommet and  
backshell. For use with individual wires.

**Conector recto para prolongación aérea**  
**In-line receptacle**



Ej. / Ex. : SCPB3101SP20-27P

Dimensiones de conector Shell size	Ø A 0 -0.1	Ø B m in.	Rosca C C thread	Ø D ±0.2	Ø E ±0.2	LL. J J key	K ±0.2	L Max.	L 1 Max.	M +0.2 0	Ø Q ±0.1
10 S L	18.2	8.5	M 16 x 1	18.5	22.0	20	2.8	52.0	13.5	14.3	21.8
14 S	24.5	12.0	M 20 x 1	22.3	25.0	23	3.3	52.0	13.5	14.5	28.8
16 S	27.2	14.5	M 23 x 1	25.3	28.0	26	3.3	54.0	14.6	14.5	30.5
16	27.2	14.5	M 23 x 1	25.3	28.0	26	3.3	63.0	14.6	19.1	30.5
18	30.7	17.5	M 26 x 1	28.0	30.0	28	4.0	64.5	14.6	19.1	33.8
20	34.0	19.5	M 30 x 1	32.3	34.5	32	4.0	64.5	14.6	19.1	36.9
22	37.3	22.0	M 32 x 1	34.3	38.0	36	4.0	64.5	14.6	19.6	39.5
24	40.9	25.0	M 36 x 1	38.3	41.0	39	4.0	66.0	14.6	20.6	43.9
28	46.7	29.0	M 39 x 1	41.2	48.0	46	4.0	66.0	14.6	20.7	48.4
32	53.4	34.0	M 45 x 1	48.3	54.0	52	4.0	67.5	14.6	22.3	56.0
36	59.6	38.5	M 52 x 1	55.0	61.0	58	4.0	68.0	15.5	22.3	62.4
40	65.5	48.0	M 59 x 1	62.0	68.0	65	4.0	68.0	15.5	22.3	68.6

Conector recto para prolongación aérea.  
Incluye zócalo estanco (grommet) y adaptador  
inspeccionable para terminación de pantalla y  
bota termorretráctil .

In-line receptacle.  
Includes wire sealing grommet and backshell  
with rotating clamp nut. Shielded cable is  
terminated with a "braid trap" nut and heat  
shrink tubing (optional).