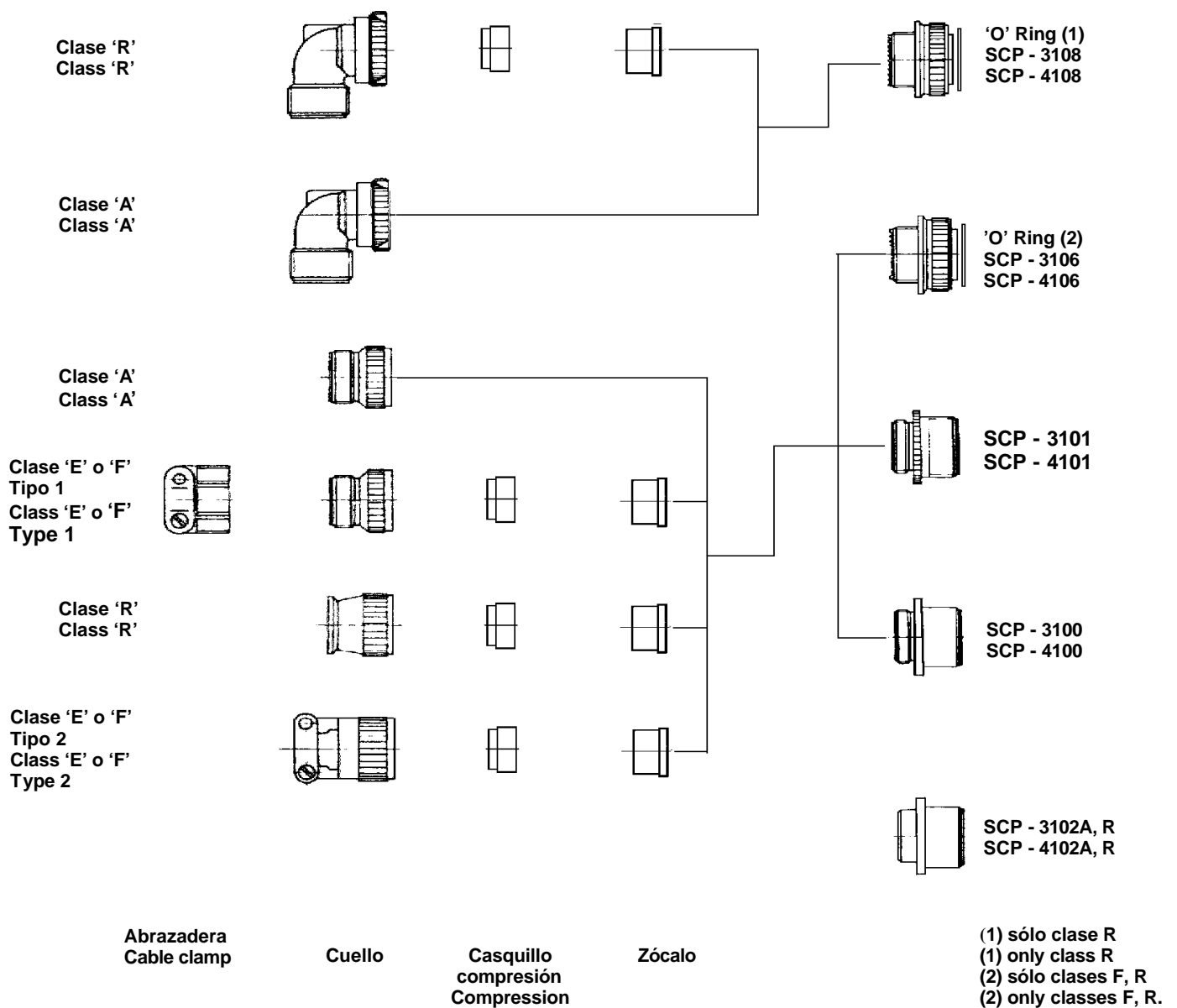


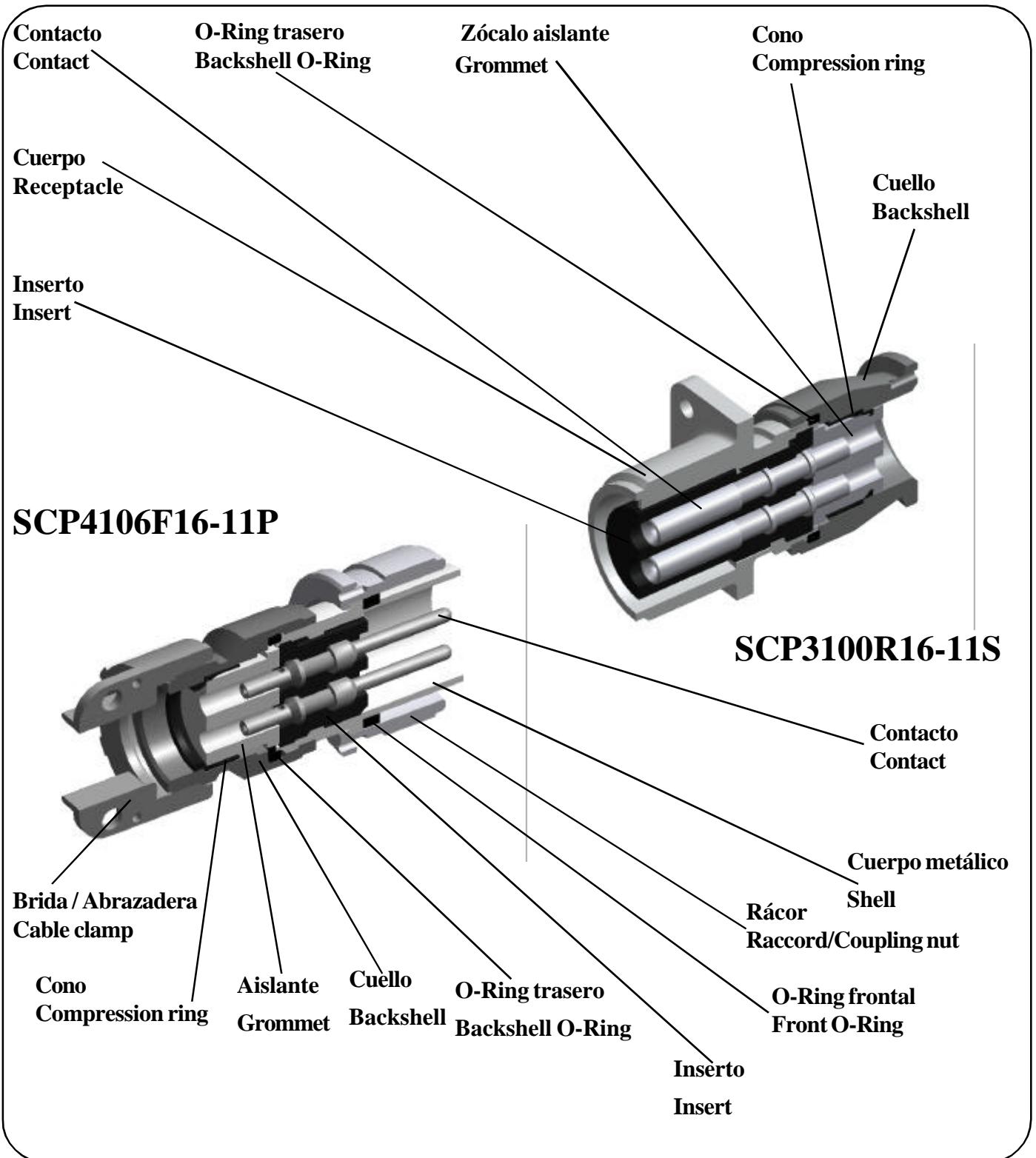


CONECTORES SCP ROSCA

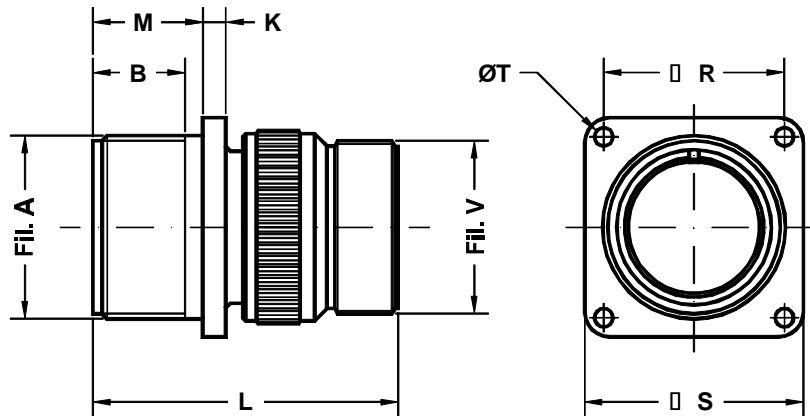
Conector SCP - composición y clases SCP connectors - styles and classes



Ejemplo de composición SCP SCP Example of assembled components



Conector para panel Wall mounting receptacle



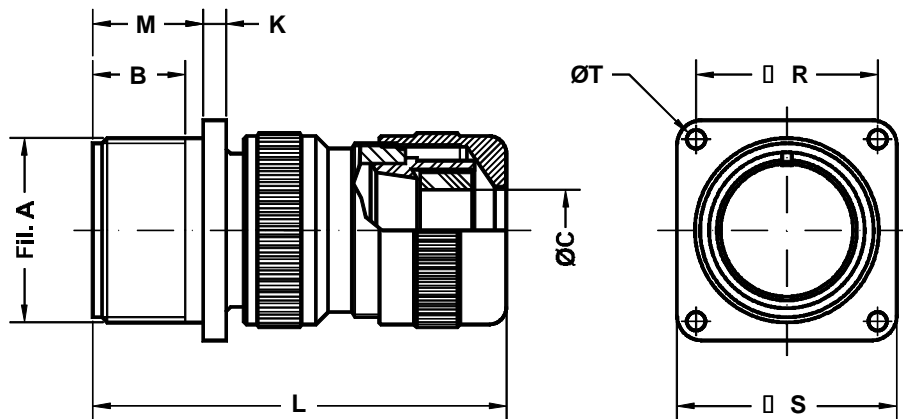
Ej. / Ex. :SCP3100A20-27P

Dimensiones del conector Shell Size	Rosca A A thread	B min.	K ±0.2	L Max.	M +0.2 -0	R ±0.1	S ±0.2	T +0.1 -0	Rosca V V thread
10 SL	0.6250 - 24UNEF	11	2.8	44.0	14.3	18.25	25.4	3.2	0.6250 - 24UNEF
12 S	0.7500 - 20UNEF	11	2.8	44.0	14.3	20.60	27.8	3.2	0.6250 - 24UNEF
12	0.7500 - 20UNEF	16	2.8	51.5	19.1	20.60	27.8	3.2	0.6250 - 24UNEF
14 S	0.8750 - 20UNEF	11	3.3	46.4	14.5	23.00	30.0	3.2	0.7500 - 20UNEF
14	0.8750 - 20UNEF	16	3.3	53.0	19.1	23.00	30.0	3.2	0.7500 - 20UNEF
16 S	1.0000 - 20UNEF	11	3.3	46.4	14.5	24.60	32.5	3.2	0.8750 - 20UNEF
16	1.0000 - 20UNEF	16	3.3	57.8	19.1	24.60	32.5	3.2	0.8750 - 20UNEF
18	1.1250 - 18UNEF	16	4.0	57.8	19.1	27.00	35.0	3.2	1.0000 - 20UNEF
20	1.2500 - 18UNEF	16	4.0	58.1	19.1	29.40	38.0	3.2	1.1875 - 18UNEF
22	1.3750 - 18UNEF	16	4.0	58.1	19.6	31.75	41.0	3.2	1.1875 - 18UNEF
24	1.5000 - 18UNEF	17	4.0	59.7	20.6	34.90	44.5	3.7	1.4375 - 18UNEF
28	1.7500 - 18UNS	17	4.0	66.2	20.0	39.70	50.9	3.7	1.4375 - 18UNEF
32	2.0000 - 18UNS	17	4.0	71.3	22.3	44.45	57.0	4.3	1.7500 - 18UNS
36	2.2500 - 16UN	17	4.0	76.8	22.3	49.20	63.5	4.3	2.0000 - 18UNS
40	2.5000 - 16UN	17	4.0	76.8	22.3	55.55	69.9	4.3	2.2500 - 16UN

Conector de base cuadrada para panel.
Incluye adaptador con mecanizado posterior
para abrazadera de cable MS3057 - XX A/B/C.
Zócalo estanco no incluido.

Wall mounting receptacle.
Includes backshell for cable clamp
SCPB3057-XX A/B/C.
No grommet supplied .

Conector para panel Wall mounting receptacle



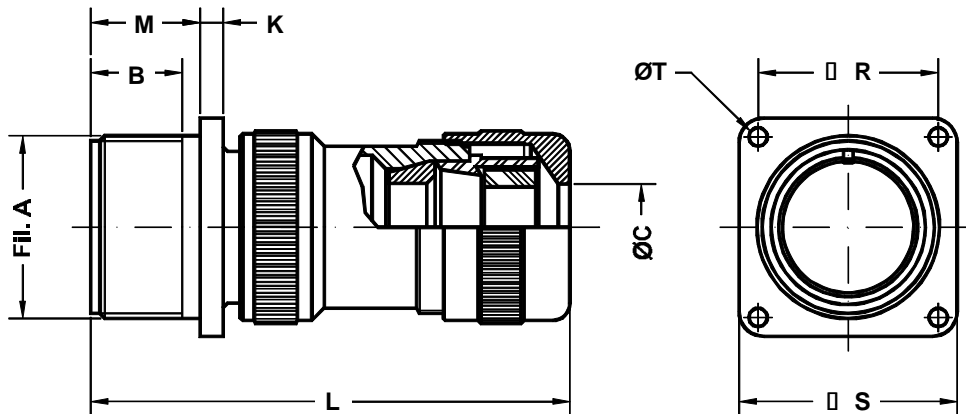
Ej. / Ex. : SCP3100A20-27PPHM11

Dimensiones del conector Shell Size	P.N. PHM	Filetto A A thread	B min.	C min. ÷ Max.	K ±0.2	L Max.	M +0.2 -0	R ±0.1	S ±0.2	T +0.1 -0
10 SL	11	0.6250 - 24UNEF	11	2÷11	2.8	60	14.3	18.25	25.4	3.2
12 S	11	0.7500 - 20UNEF	11	2÷11	2.8	60	14.3	20.60	27.8	3.2
12	11	0.7500 - 20UNEF	16	2÷11	2.8	60	19.1	20.60	27.8	3.2
14 S	11	0.8750 - 20UNEF	11	2÷11	3.3	60	14.5	23.00	30.0	3.2
14	11	0.8750 - 20UNEF	16	2÷11	3.3	60	19.1	23.00	30.0	3.2
16 S	11	1.0000 - 20UNEF	11	2÷11	3.3	60	14.5	24.60	32.5	3.2
16	11	1.0000 - 20UNEF	16	2÷11	3.3	70	19.1	24.60	32.5	3.2
18	11 / 18	1.1250 - 18UNEF	16	2÷11 / 9÷16.5	4.0	70	19.1	27.00	35.0	3.2
20	11 / 18	1.2500 - 18UNEF	16	2÷11 / 9÷16.5	4.0	70	19.1	29.40	38.0	3.2
22	18	1.3750 - 18UNEF	16	9÷16.5	4.0	70	19.6	31.75	41.0	3.2
24	18 / 22 / 24	1.5000 - 18UNEF	17	9÷16.5 / 15÷20 / 19÷24	4.0	80	20.6	34.90	44.5	3.7
28	18 / 22 / 24	1.7500 - 18UNS	17	9÷16.5 / 15÷20 / 19÷24	4.0	80	20.0	39.70	50.9	3.7
32	22 / 24	2.0000 - 18UNS	17	15÷20 / 19÷24	4.0	80	22.3	44.45	57.0	4.3
36	35	2.2500 - 16UN	17	23÷35	4.0	95	22.3	49.20	63.5	4.3
40	35	2.5000 - 16UN	17	23÷35	4.0	95	22.3	55.55	69.9	4.3

Conector de base cuadrada para panel.
Incluye adaptador PHM que asegura una buena sujeción mecánica del cable y garantiza la mejor estanqueidad si se usan los manguitos de neopreno adecuados.
Zócalo estanco (grommet) no incluido.

Wall mounting receptacle.
Includes a PHM cable clamp that assures an excellent mechanical and waterproof seal if used with the correct neoprene sealing sleeves.
No grommet supplied.

Conector para panel Wall mounting receptacle



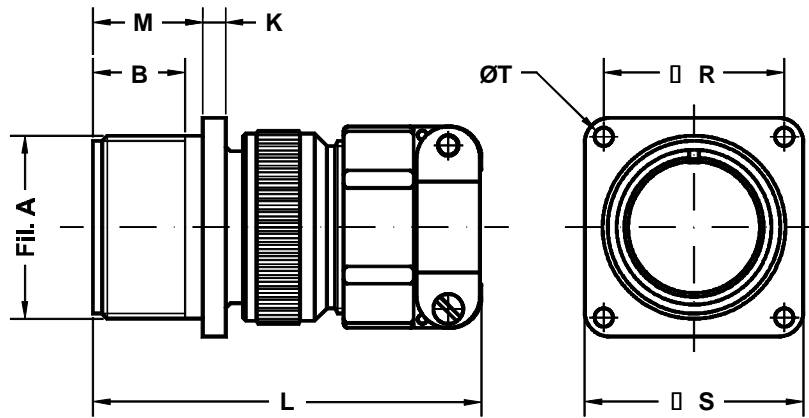
Ej./Ex. : SCP3100A20-27PPHM11EMI

Dimensiones del conector Shell Size	P.N. PHM	Rosca A A thread	B min.	C min. ÷ Max.	K ±0.2	L Max.	M +0.2 -0	R ±0.1	S ±0.2	T +0.1 -0
10 SL	11	0.6250 - 24UNEF	11	2÷11	2.8	70	14.3	18.25	25.4	3.2
12 S	11	0.7500 - 20UNEF	11	2÷11	2.8	70	14.3	20.60	27.8	3.2
12	11	0.7500 - 20UNEF	16	2÷11	2.8	70	19.1	20.60	27.8	3.2
14 S	11	0.8750 - 20UNEF	11	2÷11	3.3	70	14.5	23.00	30.0	3.2
14	11	0.8750 - 20UNEF	16	2÷11	3.3	70	19.1	23.00	30.0	3.2
16 S	11	1.0000 - 20UNEF	11	2÷11	3.3	70	14.5	24.60	32.5	3.2
16	11	1.0000 - 20UNEF	16	2÷11	3.3	80	19.1	24.60	32.5	3.2
18	11 / 18	1.1250 - 18UNEF	16	2÷11 / 9÷16.5	4.0	80	19.1	27.00	35.0	3.2
20	11 / 18	1.2500 - 18UNEF	16	2÷11 / 9÷16.5	4.0	80	19.1	29.40	38.0	3.2
22	18	1.3750 - 18UNEF	16	9÷16.5	4.0	80	19.6	31.75	41.0	3.2
24	18 / 22 / 24	1.5000 - 18UNEF	17	9÷16.5 / 15÷20 / 19÷24	4.0	90	20.6	34.90	44.5	3.7
28	18 / 22 / 24	1.7500 - 18UNS	17	9÷16.5 / 15÷20 / 19÷24	4.0	90	20.0	39.70	50.9	3.7
32	22 / 24	2.0000 - 18UNS	17	15÷20 / 19÷24	4.0	90	22.3	44.45	57.0	4.3
36	35	2.2500 - 16UN	17	23÷35	4.0	105	22.3	49.20	63.5	4.3
40	35	2.5000 - 16UN	17	23÷35	4.0	105	22.3	55.55	69.9	4.3

Conector de base cuadrada para panel con adaptador PHM.
La salida PHM asegura una buena sujeción mecánica para cables multipolares apantallados y garantiza la mejor estanqueidad empleando los manguitos de neopreno adecuados.
Zócalo estanco (grommet) no incluido.

Wall mounting receptacle.
Includes a PHM cable clamp that assures an excellent mechanical and waterproof seal with multipolar shielded cables if used with the correct neoprene sealing sleeves.
No grommet supplied.

Conector para panel Wall mounting receptacle



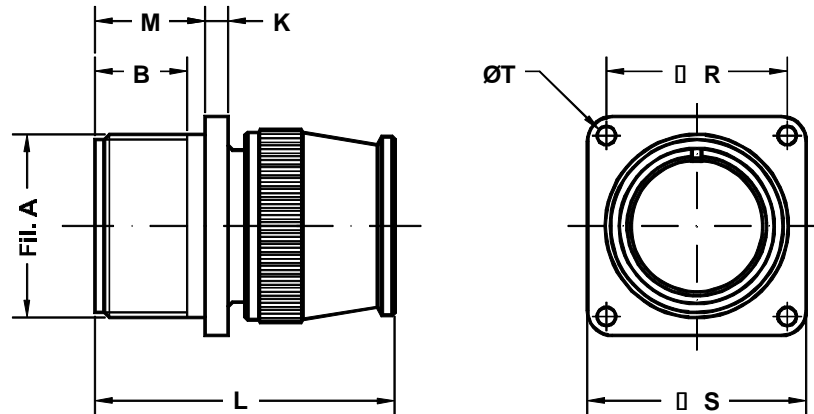
Ej./ Ex. : SCP3100F20-27P

Dimensiones del conector Shell Size	Filetto A A thread	B m in .	K ±0.2	L M a x .	M +0.2 -0	R ±0.1	S ±0.2	T +0.1 -0
10 S L	0.6250 - 24UNEF	11	2.8	55.0	14.3	18.25	25.4	3.2
12 S	0.7500 - 20UNEF	11	2.8	55.0	14.3	20.60	27.8	3.2
12	0.7500 - 20UNEF	16	2.8	62.5	19.1	20.60	27.8	3.2
14 S	0.8750 - 20UNEF	11	3.3	58.4	14.5	23.00	30.0	3.2
14	0.8750 - 20UNEF	16	3.3	65.0	19.1	23.00	30.0	3.2
16 S	1.0000 - 20UNEF	11	3.3	60.4	14.5	24.60	32.5	3.2
16	1.0000 - 20UNEF	16	3.3	71.8	19.1	24.60	32.5	3.2
18	1.1250 - 18UNEF	16	4.0	77.8	19.1	27.00	35.0	3.2
20	1.2500 - 18UNEF	16	4.0	74.0	19.1	29.40	38.0	3.2
22	1.3750 - 18UNEF	16	4.0	74.0	19.6	31.75	41.0	3.2
24	1.5000 - 18UNEF	17	4.0	76.7	20.6	34.90	44.5	3.7
28	1.7500 - 18UNS	17	4.0	83.2	20.0	39.70	50.9	3.7
32	2.0000 - 18UNS	17	4.0	90.3	22.3	44.45	57.0	4.3
36	2.2500 - 16UN	17	4.0	96.8	22.3	49.20	63.5	4.3
40	2.5000 - 16UN	17	4.0	115.8	22.3	55.55	69.9	4.3

Conector de base cuadrada para panel.
Incluye zócalo estanco (grommet), adaptador con mecanizado posterior y brida tipo A (MS3057) para cable.

Wall mounting receptacle.
Includes insulating grommet, backshell and class A cable clamp MS3057.

Conector para panel Wall mounting receptacle



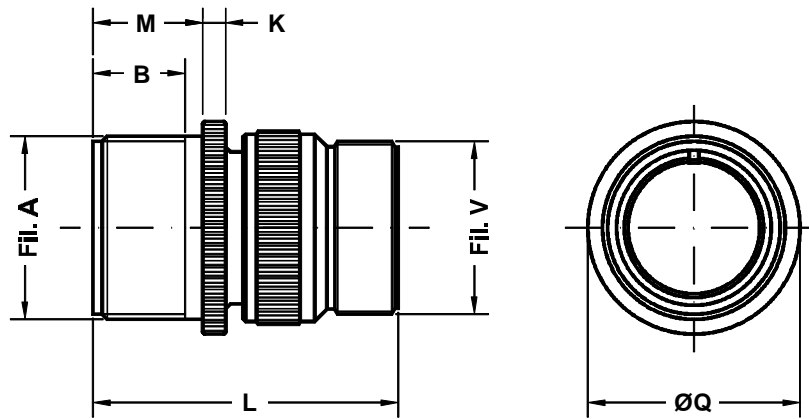
Ej. / Ex. :SCP3100R20-27P

Dimensiones del conector Shell Size	Rosca A A thread	B m in .	K ±0.2	L M a x .	M +0.2 -0	R ±0.1	S ±0.2	T +0.1 -0
10 S L	0.6250 - 24UNEF	11	2.8	38.0	14.3	18.25	25.4	3.2
12 S	0.7500 - 20UNEF	11	2.8	38.0	14.3	20.60	27.8	3.2
12	0.7500 - 20UNEF	16	2.8	45.5	19.1	20.60	27.8	3.2
14 S	0.8750 - 20UNEF	11	3.3	47.5	14.5	23.00	30.0	3.2
14	0.8750 - 20UNEF	16	3.3	52.5	19.1	23.00	30.0	3.2
16 S	1.0000 - 20UNEF	11	3.3	45.5	14.5	24.60	32.5	3.2
16	1.0000 - 20UNEF	16	3.3	55.5	19.1	24.60	32.5	3.2
18	1.1250 - 18UNEF	16	4.0	55.5	19.1	27.00	35.0	3.2
20	1.2500 - 18UNEF	16	4.0	55.5	19.1	29.40	38.0	3.2
22	1.3750 - 18UNEF	16	4.0	55.5	19.6	31.75	41.0	3.2
24	1.5000 - 18UNEF	17	4.0	58.5	20.6	34.90	44.5	3.7
28	1.7500 - 18UNS	17	4.0	58.5	20.0	39.70	50.9	3.7
32	2.0000 - 18UNS	17	4.0	58.5	22.3	44.45	57.0	4.3
36	2.2500 - 16UN	17	4.0	58.5	22.3	49.20	63.5	4.3
40	2.5000 - 16UN	17	4.0	58.5	22.3	55.55	69.9	4.3

Conector de base cuadrada para panel.
Incluye zócalo estanco (grommet) y cuello
posterior. Para uso con conductores
individuales.

Wall mounting receptacle.
Includes insulating grommet and backshell.
For use with individual wires.

Conector recto para prolongación aérea In-line receptacle



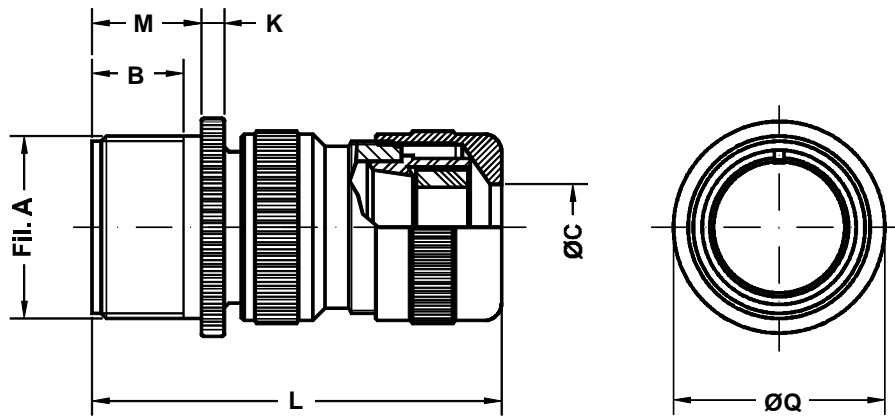
Ej. / Ex. : SCP3101A20-27P

Dimensiones del conector Shell Size	Rosca A	B	K	L	M	Q	Filetto V
	A thread	min.	±0.2	Max.	+0.2 -0	±0.2	V thread
10 S L	0.6250 - 24UNEF	11	2.8	44.0	14.3	21.6	0.6250 - 24UNEF
12 S	0.7500 - 20UNEF	11	2.8	44.0	14.3	24.9	0.6250 - 24UNEF
12	0.7500 - 20UNEF	16	2.8	51.5	19.1	24.9	0.6250 - 24UNEF
14 S	0.8750 - 20UNEF	11	3.3	46.4	14.5	28.8	0.7500 - 20UNEF
14	0.8750 - 20UNEF	16	3.3	53.0	19.1	28.8	0.7500 - 20UNEF
16 S	1.0000 - 20UNEF	11	3.3	46.4	14.5	30.6	0.8750 - 20UNEF
16	1.0000 - 20UNEF	16	3.3	57.8	19.1	30.6	0.8750 - 20UNEF
18	1.1250 - 18UNEF	16	4.0	57.8	19.1	33.7	1.0000 - 20UNEF
20	1.2500 - 18UNEF	16	4.0	58.1	19.1	36.9	1.1875 - 18UNEF
22	1.3750 - 18UNEF	16	4.0	58.1	19.6	39.5	1.1875 - 18UNEF
24	1.5000 - 18UNEF	17	4.0	59.7	20.6	43.9	1.4375 - 18UNEF
28	1.7500 - 18UNS	17	4.0	66.2	20.0	49.2	1.4375 - 18UNEF
32	2.0000 - 18UNS	17	4.0	71.3	22.3	55.8	1.7500 - 18UNS
36	2.2500 - 16UN	17	4.0	76.8	22.3	62.3	2.0000 - 18UNS
40	2.5000 - 16UN	17	4.0	76.8	22.3	68.5	2.2500 - 16UN

Conector recto para prolongación aérea. Incluye adaptador con mecanizado posterior para brida MS3057 - XX A/B/C
En la versión clase R se incluye zócalo estanco (grommet).

In-line receptacle.
Includes backshell for cable clamp MS3057-XX A/B/C.
The R class includes insulating grommet.

Conector recto para prolongación aérea In-line receptacle



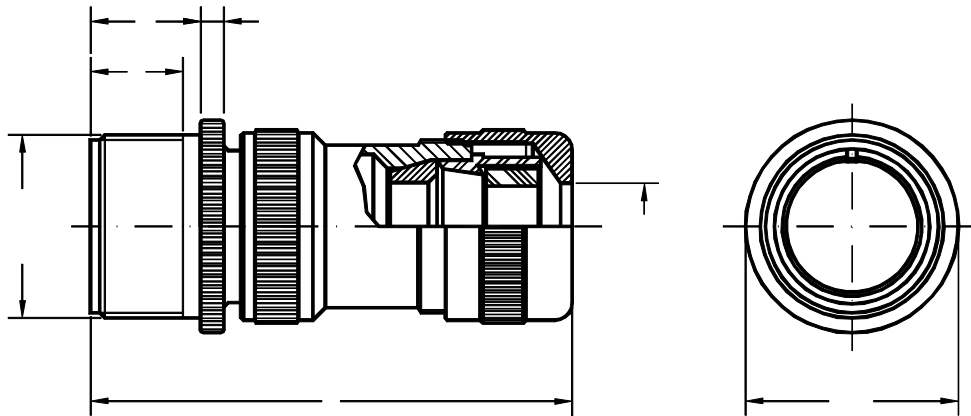
Es. / Ex. : SCP3101A20-27PPHM11

Dimensiones del conector Shell Size	P.N. PHM	Filetto A A thread	B min.	C min. ÷ Max.	K ±0.2	L Max.	M +0.2 -0	Q ±0.2
10 S L	11	0.6250 - 24UNEF	11	2÷11	2.8	60	14.3	21.6
12 S	11	0.7500 - 20UNEF	11	2÷11	2.8	60	14.3	24.9
12	11	0.7500 - 20UNEF	16	2÷11	2.8	60	19.1	24.9
14 S	11	0.8750 - 20UNEF	11	2÷11	3.3	60	14.5	28.8
14	11	0.8750 - 20UNEF	16	2÷11	3.3	60	19.1	28.8
16 S	11	1.0000 - 20UNEF	11	2÷11	3.3	60	14.5	30.6
16	11	1.0000 - 20UNEF	16	2÷11	3.3	70	19.1	30.6
18	11 / 18	1.1250 - 18UNEF	16	2÷11 / 9÷16.5	4.0	70	19.1	33.7
20	11 / 18	1.2500 - 18UNEF	16	2÷11 / 9÷16.5	4.0	70	19.1	36.9
22	18	1.3750 - 18UNEF	16	9÷16.5	4.0	70	19.6	39.5
24	18 / 22 / 24	1.5000 - 18UNEF	17	9÷16.5 / 15÷20 / 19÷24	4.0	80	20.6	43.9
28	18 / 22 / 24	1.7500 - 18UNS	17	9÷16.5 / 15÷20 / 19÷24	4.0	80	20.0	49.2
32	22 / 24	2.0000 - 18UNS	17	15÷20 / 19÷24	4.0	80	22.3	55.8
36	35	2.2500 - 16UN	17	23÷35	4.0	95	22.3	62.3
40	35	2.5000 - 16UN	17	23÷35	4.0	95	22.3	68.5

Conector recto para prolongación aérea.
Incluye adaptador PHM que asegura una buena sujeción mecánica del cable y garantiza la mejor estanqueidad si se usan los manguitos de neopreno adecuados.
Zócalo estanco (grommet) no incluido.

In-line receptacle.
Includes a PHM cable clamp that assures an excellent mechanical and waterproof seal if used with the correct neoprene sealing sleeves.
No grommet supplied.

Conector recto para prolongación aérea In-line receptacle



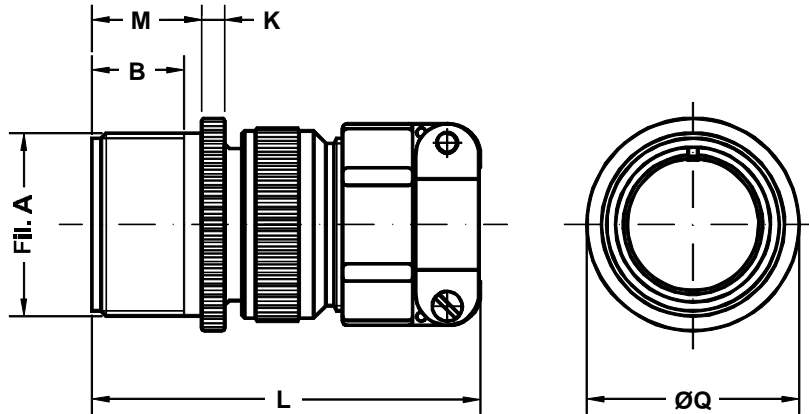
Es./ Ex. :SCP3101A20-27PPHM11EMI

Dimensiones del conector Shell Size	P.N. PHM	Rosca A A thread	B min.	C min. ÷ Max.	K ±0.2	L Max.	M +0.2 -0	Q ±0.2
10 SL	11	0.6250 - 24UNEF	11	2÷11	2.8	70	14.3	21.6
12 S	11	0.7500 - 20UNEF	11	2÷11	2.8	70	14.3	24.9
12	11	0.7500 - 20UNEF	16	2÷11	2.8	70	19.1	24.9
14 S	11	0.8750 - 20UNEF	11	2÷11	3.3	70	14.5	28.8
14	11	0.8750 - 20UNEF	16	2÷11	3.3	70	19.1	28.8
16 S	11	1.0000 - 20UNEF	11	2÷11	3.3	70	14.5	30.6
16	11	1.0000 - 20UNEF	16	2÷11	3.3	80	19.1	30.6
18	11 / 18	1.1250 - 18UNEF	16	2÷11 / 9÷16.5	4.0	80	19.1	33.7
20	11 / 18	1.2500 - 18UNEF	16	2÷11 / 9÷16.5	4.0	80	19.1	36.9
22	18	1.3750 - 18UNEF	16	9÷16.5	4.0	80	19.6	39.5
24	18 / 22 / 24	1.5000 - 18UNEF	17	9÷16.5 / 15÷20 / 19÷24	4.0	90	20.6	43.9
28	18 / 22 / 24	1.7500 - 18UNS	17	9÷16.5 / 15÷20 / 19÷24	4.0	90	20.0	49.2
32	22 / 24	2.0000 - 18UNS	17	15÷20 / 19÷24	4.0	90	22.3	55.8
36	35	2.2500 - 16UN	17	23÷35	4.0	105	22.3	62.3
40	35	2.5000 - 16UN	17	23÷35	4.0	105	22.3	68.5

Conector recto para prolongación aérea.
 La salida PHM asegura una buena sujeción mecánica para cables multipolares apantallados y garantiza la mejor estanqueidad empleando los manguitos de neopreno adecuados.
 Zócalo estanco (grommet) no incluido.

In-line receptacle.
 Includes a PHM cable clamp that assures an excellent mechanical and waterproof seal with multipolar shielded cables if used with the correct neoprene sealing sleeves.
 No grommet supplied.

Conector recto para prolongación aérea In-line receptacle



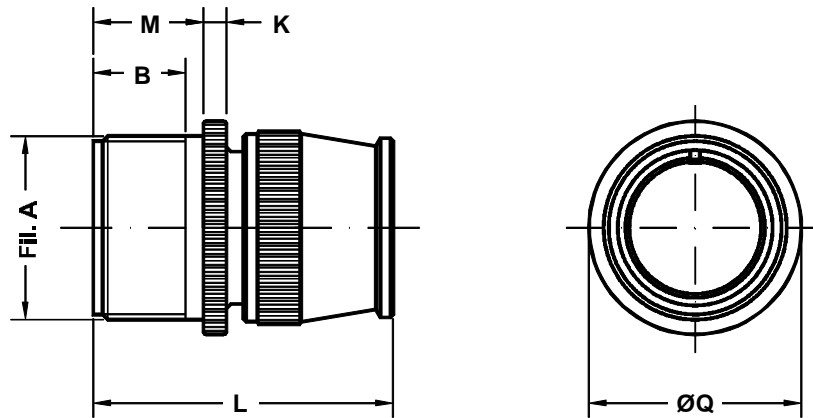
Ej./Ex. :SCP3101F20-27P

Dimensiones del conector Shell Size	Rosca A A thread	B min.	K ±0.2	L Max.	M +0.2 -0	Q ±0.2
10 S L	0.6250 - 24U N E F	11	2.8	55.0	14.3	21.6
12 S	0.7500 - 20U N E F	11	2.8	55.0	14.3	24.9
12	0.7500 - 20U N E F	16	2.8	62.5	19.1	24.9
14 S	0.8750 - 20U N E F	11	3.3	58.4	14.5	28.8
14	0.8750 - 20U N E F	16	3.3	65.0	19.1	28.8
16 S	1.0000 - 20U N E F	11	3.3	60.4	14.5	30.6
16	1.0000 - 20U N E F	16	3.3	71.8	19.1	30.6
18	1.1250 - 18U N E F	16	4.0	77.8	19.1	33.7
20	1.2500 - 18U N E F	16	4.0	74.0	19.1	36.9
22	1.3750 - 18U N E F	16	4.0	74.0	19.6	39.5
24	1.5000 - 18U N E F	17	4.0	76.7	20.6	43.9
28	1.7500 - 18U N S	17	4.0	83.2	20.0	49.2
32	2.0000 - 18U N S	17	4.0	90.3	22.3	55.8
36	2.2500 - 16U N	17	4.0	96.8	22.3	62.3
40	2.5000 - 16U N	17	4.0	115.8	22.3	68.5

Conector recto para prolongación aérea.
Incluye zócalo estanco (grommet), adaptador
con mecanizado posterior y brida tipo A
(MS3057) para cable.

In-line receptacle.
Includes insulating grommet, backshell and
class A cable clamp MS3057.

Conector recto para prolongación aérea
In-line receptacle



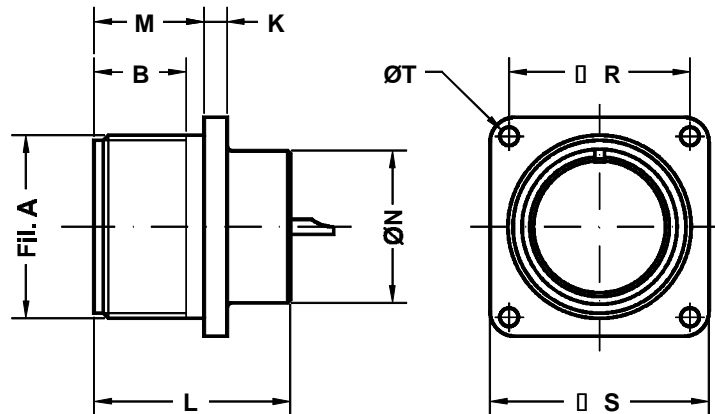
Ej./ Ex. :SCP3101R20-27P

Dimensiones del conector Shell Size	Rosca A A thread	B min.	K ±0.2	L Max.	M +0.2 -0	Q ±0.2
10 S L	0.6250 - 24 U N E F	11	2.8	38.0	14.3	21.6
12 S	0.7500 - 20 U N E F	11	2.8	38.0	14.3	24.9
12	0.7500 - 20 U N E F	16	2.8	45.5	19.1	24.9
14 S	0.8750 - 20 U N E F	11	3.3	47.5	14.5	28.8
14	0.8750 - 20 U N E F	16	3.3	52.5	19.1	28.8
16 S	1.0000 - 20 U N E F	11	3.3	45.5	14.5	30.6
16	1.0000 - 20 U N E F	16	3.3	55.5	19.1	30.6
18	1.1250 - 18 U N E F	16	4.0	55.5	19.1	33.7
20	1.2500 - 18 U N E F	16	4.0	55.5	19.1	36.9
22	1.3750 - 18 U N E F	16	4.0	55.5	19.6	39.5
24	1.5000 - 18 U N E F	17	4.0	58.5	20.6	43.9
28	1.7500 - 18 U N S	17	4.0	58.5	20.0	49.2
32	2.0000 - 18 U N S	17	4.0	58.5	22.3	55.8
36	2.2500 - 16 U N	17	4.0	58.5	22.3	62.3
40	2.5000 - 16 U N	17	4.0	58.5	22.3	68.5

Conector recto para prolongación aérea. Incluye zócalo estanco (grommet) y cuello posterior. Para uso con conductores individuales.

In-line receptacle. Includes insulating grommet and backshell. For use with individual wires.

Conector de base cuadrada para panel Box mounting receptacle



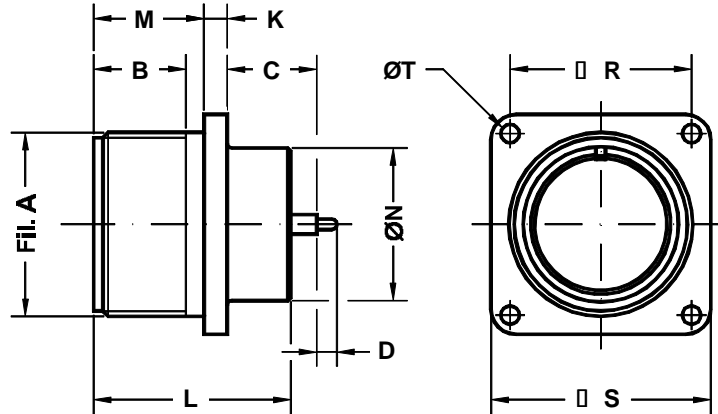
Ej./Ex. : SCP3102A20-27P

Dimensiones del conector Shell Size	Rosca A A thread	B m in .	K ±0.2	L ±0.2	M +0.2 -0	N +0.2 -0	R ±0.1	S ±0.2	T +0.1 -0
10 S L	0.6250 - 24UNEF	11	2.8	24.6	14.3	15.9	18.25	25.4	3.2
12 S	0.7500 - 20UNEF	11	2.8	24.6	14.3	15.9	20.60	27.8	3.2
12	0.7500 - 20UNEF	16	2.8	34.5	19.1	15.9	20.60	27.8	3.2
14 S	0.8750 - 20UNEF	11	3.3	24.8	14.5	19.0	23.00	30.0	3.2
14	0.8750 - 20UNEF	16	3.3	34.5	19.1	19.0	23.00	30.0	3.2
16 S	1.0000 - 20UNEF	11	3.3	24.8	14.5	22.2	24.60	32.5	3.2
16	1.0000 - 20UNEF	16	3.3	34.5	19.1	22.2	24.60	32.5	3.2
18	1.1250 - 18UNEF	16	4.0	34.2	19.1	25.5	27.00	35.0	3.2
20	1.2500 - 18UNEF	16	4.0	34.2	19.1	28.5	29.40	38.0	3.2
22	1.3750 - 18UNEF	16	4.0	34.2	19.6	31.7	31.75	41.0	3.2
24	1.5000 - 18UNEF	17	4.0	35.7	20.6	34.9	34.90	44.5	3.7
28	1.7500 - 18UNS	17	4.0	35.7	20.0	41.4	39.70	50.9	3.7
32	2.0000 - 18UNS	17	4.0	37.3	22.3	47.6	44.45	57.0	4.3
36	2.2500 - 16UN	17	4.0	37.3	22.3	52.4	49.20	63.5	4.3
40	2.5000 - 16UN	17	4.0	37.3	22.3	58.7	55.55	69.9	4.3

Conector de base cuadrada para panel.
Clase A: para uso general.
Clase E, R: para aplicaciones que requieran un alto grado de estanqueidad.

Box mounting square flange receptacle.
Class A: for general use,
Class E, R: for environmental sealing.

Conector de base cuadrada para panel Box mounting receptacle



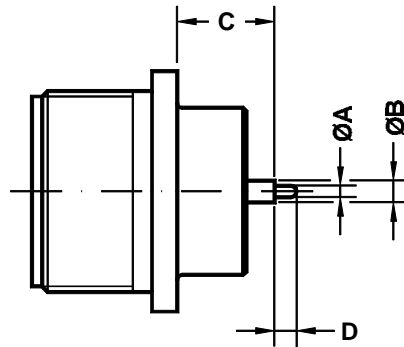
Ej. / Ex. : SCP3102Y20-27P

Dimensiones del conector Shell Size	Rosca A A thread	B min.	C - D	K ±0.2	L ±0.2	M +0.2 -0	N +0.2 -0	R ±0.1	S ±0.2	T +0.1 -0
10 SL	0.6250 - 24UNEF	11	Vedi tabella alla pagina seguente See the table on the next page	2.8	24.6	14.3	15.9	18.25	25.4	3.2
12 S	0.7500 - 20UNEF	11		2.8	24.6	14.3	15.9	20.60	27.8	3.2
12	0.7500 - 20UNEF	16		2.8	34.5	19.1	15.9	20.60	27.8	3.2
14 S	0.8750 - 20UNEF	11		3.3	24.8	14.5	19.0	23.00	30.0	3.2
14	0.8750 - 20UNEF	16		3.3	34.5	19.1	19.0	23.00	30.0	3.2
16 S	1.0000 - 20UNEF	11		3.3	24.8	14.5	22.2	24.60	32.5	3.2
16	1.0000 - 20UNEF	16		3.3	34.5	19.1	22.2	24.60	32.5	3.2
18	1.1250 - 18UNEF	16		4.0	34.2	19.1	25.5	27.00	35.0	3.2
20	1.2500 - 18UNEF	16		4.0	34.2	19.1	28.5	29.40	38.0	3.2
22	1.3750 - 18UNEF	16		4.0	34.2	19.6	31.7	31.75	41.0	3.2
24	1.5000 - 18UNEF	17		4.0	35.7	20.6	34.9	34.90	44.5	3.7
28	1.7500 - 18UNS	17		4.0	35.7	20.0	41.4	39.70	50.9	3.7
32	2.0000 - 18UNS	17		4.0	37.3	22.3	47.6	44.45	57.0	4.3
36	2.2500 - 16UN	17		4.0	37.3	22.3	52.4	49.20	63.5	4.3
40	2.5000 - 16UN	17		4.0	37.3	22.3	58.7	55.55	69.9	4.3

Conector de base cuadrada para panel con contactos para circuito impreso. Solo disponible en disposición de contactos de tamaño 16. Para otro tipo de contactos consultar con nuestro servicio de ventas.

Box mounting square flange receptacle with PCB contacts. Available only with contact arrangement size 16. For different contact size, please consult our sales department.

Conector de base cuadrada para panel Box mounting receptacle



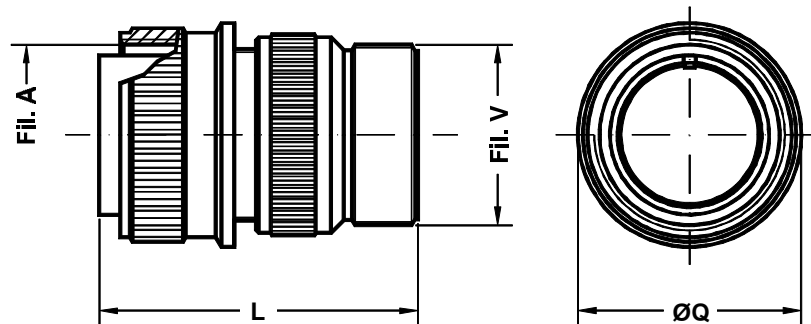
Es. / Ex. : SCP3102Y20-27P

Dimensiones del conector Shell Size	DS 1				Y # 16				Y # 12				YL 5				
	A	B	C	D	A	B	C	D	A	B	C	D	A	B	C	D	
10 S L	0.8	1.8	13.80	3.6	-	-	-	-	-	-	-	-	-	-	-	-	-
12 S	0.8	1.8	12.90	3.6	-	-	-	-	-	-	-	-	-	-	-	-	-
12	0.8	1.8	-	3.6	-	-	-	-	1.8	3.4	18.30	3.5	-	-	-	-	-
14 S	0.8	1.8	12.40	3.6	-	-	-	-	-	-	-	-	-	-	-	-	-
14	0.8	1.8	14.60	3.6	-	-	-	-	-	-	-	-	-	-	-	-	-
16 S	0.8	1.8	12.40	3.6	-	-	-	-	-	-	-	-	-	-	-	-	-
16	0.8	1.8	14.60	3.6	0.8	1.8	17.85	3.5	1.8	3.4	17.85	3.5	0.8	1.8	17.85	5	
18	0.8	1.8	13.80	3.6	0.8	1.8	17.05	3.5	1.8	3.4	17.05	3.5	0.8	1.8	17.05	5	
20	0.8	1.8	13.80	3.6	0.8	1.8	17.05	3.5	1.8	3.4	17.05	3.5	0.8	1.8	17.05	5	
22	0.8	1.8	13.30	3.6	0.8	1.8	16.55	3.5	1.8	3.4	16.55	3.5	0.8	1.8	16.55	5	
24	0.8	1.8	12.20	3.6	0.8	1.8	15.45	3.5	1.8	3.4	15.45	3.5	0.8	1.8	15.45	5	
28	0.8	1.8	13.00	3.6	0.8	1.8	16.25	3.5	1.8	3.4	16.25	3.5	0.8	1.8	16.25	5	
32	-	-	-	-	0.8	1.8	13.85	3.5	1.8	3.4	13.85	3.5	0.8	1.8	16.70	5	
36	-	-	-	-	0.8	1.8	13.85	3.5	1.8	3.4	13.85	3.5	0.8	1.8	16.70	5	
40	-	-	-	-	0.8	1.8	13.85	3.5	1.8	3.4	13.85	3.5	0.8	1.8	16.70	5	

Conector de base cuadrada para panel con contactos para circuito impreso. Solo disponible en disposición de contactos de tamaño 16. Para otro tipo de contactos consultar con nuestro servicio de ventas.

Box mounting square flange receptacle with PCB contacts. Available only with contact arrangement size 16. For different contact size, please consult our sales department.

Conector aéreo recto
Straight plug



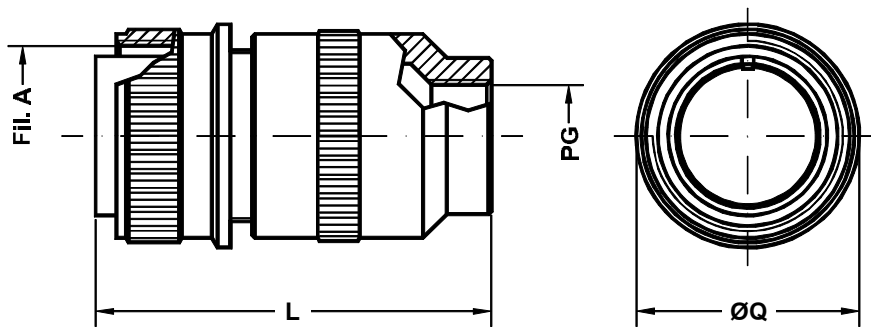
Ej./Ex. : SCP3106A20-27P

Dimensiones del conector Shell Size	Rosca A A thread	L Max.	Q ±0.2	Rosca V V thread
10 S L	0.6250 - 24 U N E F	44.0	24.1	0.6250 - 24 U N E F
12 S	0.7500 - 20 U N E F	44.0	25.0	0.6250 - 24 U N E F
12	0.7500 - 20 U N E F	51.5	25.0	0.6250 - 24 U N E F
14 S	0.8750 - 20 U N E F	46.4	28.0	0.7500 - 20 U N E F
14	0.8750 - 20 U N E F	53.0	28.0	0.7500 - 20 U N E F
16 S	1.0000 - 20 U N E F	46.4	31.5	0.8750 - 20 U N E F
16	1.0000 - 20 U N E F	57.8	31.5	0.8750 - 20 U N E F
18	1.1250 - 18 U N E F	57.8	34.0	1.0000 - 20 U N E F
20	1.2500 - 18 U N E F	58.1	37.2	1.1875 - 18 U N E F
22	1.3750 - 18 U N E F	58.1	40.4	1.1875 - 18 U N E F
24	1.5000 - 18 U N E F	59.7	43.5	1.4375 - 18 U N E F
28	1.7500 - 18 U N S	66.2	49.9	1.4375 - 18 U N E F
32	2.0000 - 18 U N S	71.3	56.0	1.7500 - 18 U N S
36	2.2500 - 16 U N	76.8	62.5	2.0000 - 18 U N S
40	2.5000 - 16 U N	76.8	69.0	2.2500 - 16 U N

Conector aéreo recto.
Incluye adaptador con mecanizado posterior
para brida MS3057 - XX A/B/C.
No incluye zócalo estanco (grommet).

Straight plug.
Includes backshell for cable clamp
MS3057-XX A/B/C.
No grommet supplied.

Conector aéreo recto Straight plug



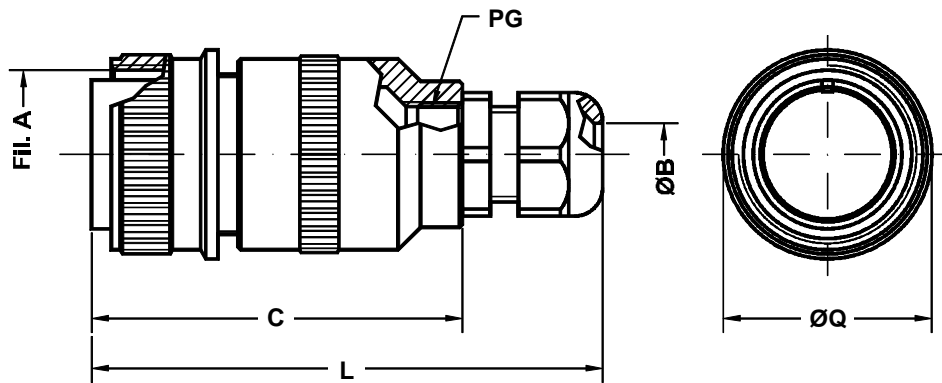
Ej. / Ex. : SCP3106A20-27PPG16

Dimensiones del conector Shell Size	Rosca A A thread	L Max.	Q ±0.2	Rosca PG PG thread
10 S L	0.6250 - 24UNEF	50.0	24.1	7 / 9 / 11
12 S	0.7500 - 20UNEF	50.0	25.0	7 / 9 / 11
12	0.7500 - 20UNEF	61.0	25.0	7 / 9 / 11
14 S	0.8750 - 20UNEF	52.5	28.0	11 / 13.5
14	0.8750 - 20UNEF	61.0	28.0	11 / 13.5
16 S	1.0000 - 20UNEF	52.5	31.5	9 / 11 / 16
16	1.0000 - 20UNEF	61.0	31.5	9 / 11 / 16
18	1.1250 - 18UNEF	66.5	34.0	9 / 11 / 16 / 21
20	1.2500 - 18UNEF	69.5	37.2	11 / 16 / 21
22	1.3750 - 18UNEF	69.5	40.4	13.5 / 16 / 21
24	1.5000 - 18UNEF	71.5	43.5	13.5 / 16 / 21 / 29
28	1.7500 - 18UNS	76.5	49.9	16 / 21 / 29
32	2.0000 - 18UNS	82.5	56.0	21 / 29
36	2.2500 - 16UN	87.5	62.5	21 / 29 / 36
40	2.5000 - 16UN	92.5	69.0	29 / 36

Conector aéreo recto con adaptador para acoplar prensaestopas PG (no incluido). Otros tipos de adaptadores PG, para diferentes tamaños están disponibles, bajo pedido. Zócalo estanco(grommet) no incluido.

Straight plug with backshell for use with PG cable glands (not included). Other types of PG adaptors can be supplied in various sizes upon request. No grommet supplied.

Conector aéreo recto Straight plug



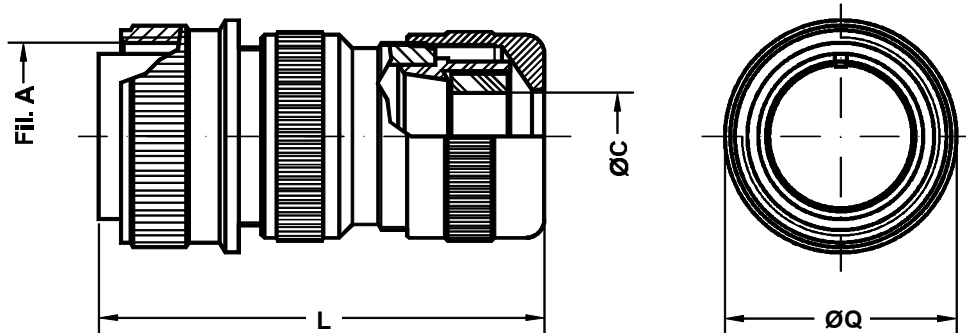
Ej./Ex. : SCP3106A20-27PPH16

Dimensiones del conector Shell Size	Rosca A A thread	B min. ÷ Max.	C Max.	L Max.	Q ±0.2	Rosca PG PG thread
10 SL	0.6250 - 24UNEF	3÷6.5 / 4÷8 / 5÷10	50.0	76.0	24.1	7 / 9 / 11
12 S	0.7500 - 20UNEF	3÷6.5 / 4÷8 / 5÷10	50.0	76.0	25.0	7 / 9 / 11
12	0.7500 - 20UNEF	3÷6.5 / 4÷8 / 5÷10	50.0	76.0	25.0	7 / 9 / 11
14 S	0.8750 - 20UNEF	5÷10 / 6÷12	52.5	81.5	28.0	11 / 13.5
14	0.8750 - 20UNEF	5÷10 / 6÷12	61.0	90.0	28.0	11 / 13.5
16 S	1.0000 - 20UNEF	4÷8 / 5÷10 / 9÷14	52.5	83.5	31.5	9 / 11 / 16
16	1.0000 - 20UNEF	4÷8 / 5÷10 / 9÷14	61.0	92.0	31.5	9 / 11 / 16
18	1.1250 - 18UNEF	4÷8 / 5÷10 / 9÷14 / 13÷18	66.5	101.5	34.0	9 / 11 / 16 / 21
20	1.2500 - 18UNEF	5÷10 / 9÷14 / 13÷18	69.5	104.5	37.2	11 / 16 / 21
22	1.3750 - 18UNEF	6÷12 / 9÷14 / 13÷18	69.5	104.5	40.4	13.5 / 16 / 21
24	1.5000 - 18UNEF	6÷12 / 9÷14 / 13÷18 / 15÷25	71.5	110.5	43.5	13.5 / 16 / 21 / 29
28	1.7500 - 18UNS	9÷14 / 13÷18 / 15÷25	76.5	115.5	49.9	16 / 21 / 29
32	2.0000 - 18UNS	13÷18 / 15÷25	82.5	121.5	56.0	21 / 29
36	2.2500 - 16UN	13÷18 / 15÷25 / 20÷32	87.5	136.5	62.5	21 / 29 / 36
40	2.5000 - 16UN	15÷25 / 20÷32	92.5	141.5	69.0	29 / 36

Conector aéreo recto con adaptador para acoplar prensaestopas PG (éste incluido).
Otros tipos de adaptadores PG, para diferentes tamaños están disponibles, bajo pedido.
Zócalo estanco (grommet) no incluido.

Straight plug with backshell and PG cable gland.
Other types of PG adaptors can be supplied in various sizes upon request.
No grommet supplied.

Conector aéreo recto Straight plug



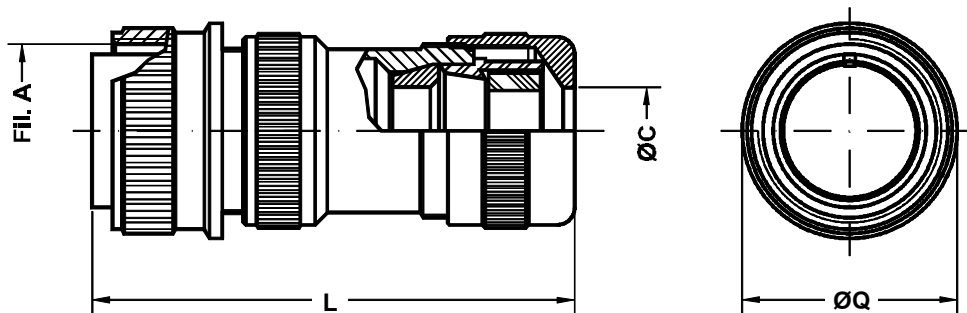
Ej. / Ex. : SCP3106A20-27PPHM11

Dimensiones del conector Shell Size	P.N. PHM	Rosca A A thread	C min. ÷ Max.	L Max.	Q ±0.2
10 SL	11	0.6250 - 24UNEF	2÷11	60	24.1
12 S	11	0.7500 - 20UNEF	2÷11	60	25.0
12	11	0.7500 - 20UNEF	2÷11	60	25.0
14 S	11	0.8750 - 20UNEF	2÷11	60	28.0
14	11	0.8750 - 20UNEF	2÷11	60	28.0
16 S	11	1.0000 - 20UNEF	2÷11	60	31.5
16	11	1.0000 - 20UNEF	2÷11	70	31.5
18	11 / 18	1.1250 - 18UNEF	2÷11 / 9÷16.5	70	34.0
20	11 / 18	1.2500 - 18UNEF	2÷11 / 9÷16.5	70	37.2
22	18	1.3750 - 18UNEF	9÷16.5	70	40.4
24	18 / 22 / 24	1.5000 - 18UNEF	9÷16.5 / 15÷20 / 19÷24	80	43.5
28	18 / 22 / 24	1.7500 - 18UNS	9÷16.5 / 15÷20 / 19÷24	80	49.9
32	22 / 24	2.0000 - 18UNS	15÷20 / 19÷24	80	56.0
36	35	2.2500 - 16UN	23÷35	95	62.5
40	35	2.5000 - 16UN	23÷35	95	69.0

Conector aéreo recto.
Incluye adaptador PHM que asegura una buena sujeción mecánica del cable y garantiza la mejor estanqueidad si se usan los manguitos de neopreno adecuados.
Zócalo estanco (grommet) no incluido.

Straight plug complete with a PHM cable clamp that assures an excellent mechanical and waterproof seal if used with the correct neoprene sealing sleeves.
No grommet supplied.

Conector aéreo recto Straight plug



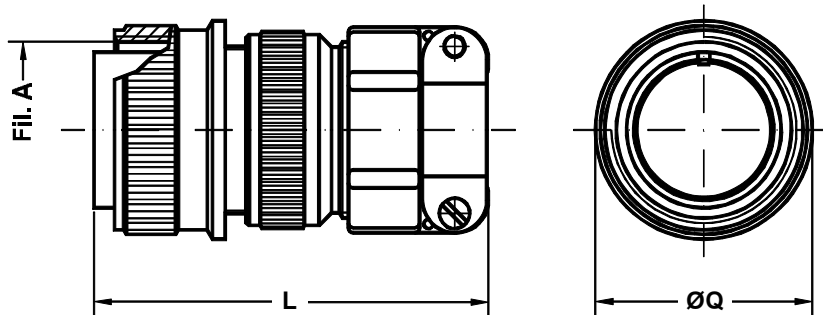
Ej./Ex. :SCP3106A20-27PPHM11EMI

Dimensiones del conector Shell Size	P.N. PHM	Rosca A	C	L	Q
		A thread	min. ÷ Max.	Max.	±0.2
10 SL	11	0.6250 - 24UNEF	2÷11	70	24.1
12 S	11	0.7500 - 20UNEF	2÷11	70	25.0
12	11	0.7500 - 20UNEF	2÷11	70	25.0
14 S	11	0.8750 - 20UNEF	2÷11	70	28.0
14	11	0.8750 - 20UNEF	2÷11	70	28.0
16 S	11	1.0000 - 20UNEF	2÷11	70	31.5
16	11	1.0000 - 20UNEF	2÷11	80	31.5
18	11 / 18	1.1250 - 18UNEF	2÷11 / 9÷16.5	80	34.0
20	11 / 18	1.2500 - 18UNEF	2÷11 / 9÷16.5	80	37.2
22	18	1.3750 - 18UNEF	9÷16.5	80	40.4
24	18 / 22 / 24	1.5000 - 18UNEF	9÷16.5 / 15÷20 / 19÷24	90	43.5
28	18 / 22 / 24	1.7500 - 18UNS	9÷16.5 / 15÷20 / 19÷24	90	49.9
32	22 / 24	2.0000 - 18UNS	15÷20 / 19÷24	90	56.0
36	35	2.2500 - 16UN	23÷35	105	62.5
40	35	2.5000 - 16UN	23÷35	105	69.0

Conector aéreo recto.
 Incluye adaptador PHM que asegura una buena sujeción mecánica para cables multipolares apantallados y garantiza la mejor estanqueidad empleando los manguitos de neopreno adecuados.
 Zócalo estanco (grommet) no incluido.

Straight plug complete with a PHM cable clamp that assures an excellent mechanical and waterproof seal with multipolar shielded cables if used with the correct neoprene sealing sleeves.
 No grommet supplied.

Conector aéreo recto Straight plug



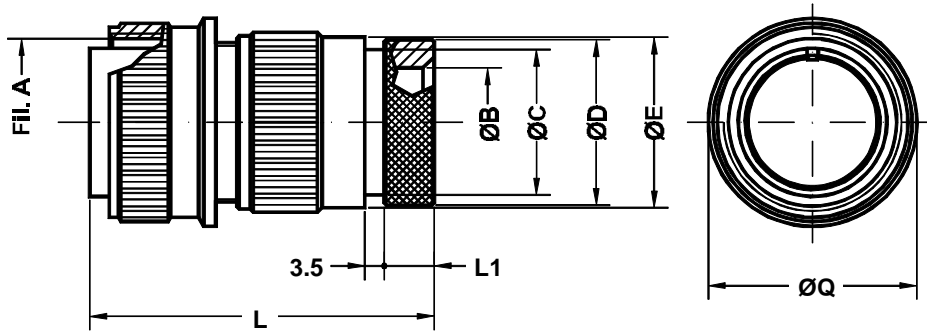
Ej./Ex. : SCP3106F20-27P

Dimensiones del conector Shell Size	Rosca A A thread	L Max.	Q ±0.2
10 SL	0.6250 - 24UNEF	55.0	24.1
12 S	0.7500 - 20UNEF	55.0	25.0
12	0.7500 - 20UNEF	62.5	25.0
14 S	0.8750 - 20UNEF	58.4	28.0
14	0.8750 - 20UNEF	65.0	28.0
16 S	1.0000 - 20UNEF	60.4	31.5
16	1.0000 - 20UNEF	71.8	31.5
18	1.1250 - 18UNEF	77.8	34.0
20	1.2500 - 18UNEF	74.0	37.2
22	1.3750 - 18UNEF	74.0	40.4
24	1.5000 - 18UNEF	76.7	43.5
28	1.7500 - 18UNS	83.2	49.9
32	2.0000 - 18UNS	90.3	56.0
36	2.2500 - 16UN	96.8	62.5
40	2.5000 - 16UN	115.8	69.0

Conector aéreo recto.
Incluye zócalo estanco (grommet), adaptador con
mecanizado posterior y brida tipo A (MS3057) .

Straight plug.
Includes insulating grommet, backshell and
class A SCPB3057 cable clamp.

Conector aéreo recto Straight plug



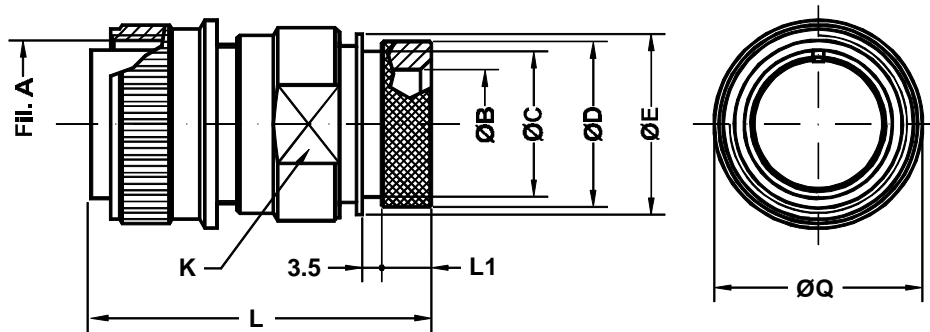
Ej./Ex. : SCP3106G20-27P

Dimensiones del conector Shell Size	Rosca A A thread	B m in .	C ±0.1	D ±0.2	E ±0.2	L Max .	L1 ±0.1	Q ±0.2
10 S L	0.6250 - 24U N E F	8.5	13.0	15.5	17.0	52.7	8.2	24.1
12 S	0.7500 - 20U N E F	8.5	13.0	15.5	17.0	52.7	8.2	25.0
12	0.7500 - 20U N E F	8.5	13.0	15.5	17.0	57.5	8.2	25.0
14 S	0.8750 - 20U N E F	12.0	16.5	19.1	20.1	53.4	8.2	28.0
14	0.8750 - 20U N E F	12.0	16.5	19.1	20.1	55.0	8.2	28.0
16 S	1.0000 - 20U N E F	14.5	21.5	23.9	23.5	53.4	8.2	31.5
16	1.0000 - 20U N E F	14.5	21.5	23.9	23.5	65.8	8.0	31.5
18	1.1250 - 18U N E F	17.5	21.7	23.9	26.5	65.8	8.0	34.0
20	1.2500 - 18U N E F	19.5	26.0	29.6	30.5	66.1	8.9	37.2
22	1.3750 - 18U N E F	22.0	26.0	29.6	33.6	66.1	8.9	40.4
24	1.5000 - 18U N E F	25.0	34.5	37.8	36.1	65.7	9.2	43.5
28	1.7500 - 18U N S	29.0	34.3	37.8	41.4	66.2	9.2	49.9
32	2.0000 - 18U N S	34.0	43.6	47.8	48.6	73.8	11.7	56.0
36	2.2500 - 16U N	38.5	43.6	47.8	54.8	83.8	11.7	62.5
40	2.5000 - 16U N	48.0	52.6	57.8	60.9	83.8	11.7	69.0

Conector aéreo recto.
Incluye zócalo estanco (grommet) y adaptador para bota termorretractil.

Straight plug.
Includes wire sealing grommet and backshell for heat shrink tubing.

Conector aéreo recto Straight plug



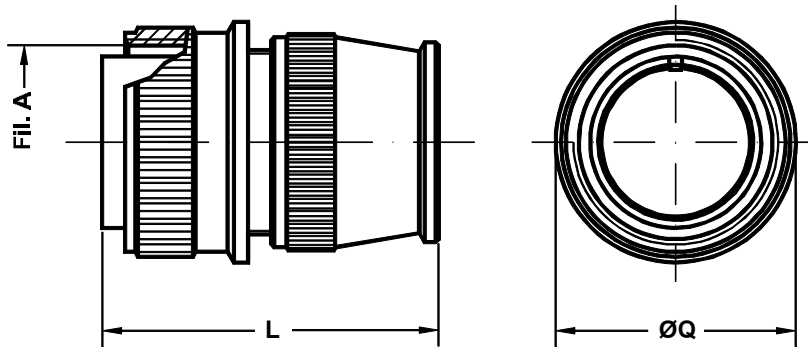
Ej./Ex. : SCP3106GR20-27P

Dimensiones del conector Shell Size	Rosca A A thread	B min.	C ±0.1	D ±0.2	E ±0.2	Ch. K K key	L Max.	L1 ±0.1	Q ±0.2
10 SL	0.6250 - 24UNEF	8.5	13.0	15.5	17.0	20	52.7	8.2	24.1
12 S	0.7500 - 20UNEF	8.5	13.0	15.5	17.0	20	52.7	8.2	25.0
12	0.7500 - 20UNEF	8.5	13.0	15.5	17.0	20	57.5	8.2	25.0
14 S	0.8750 - 20UNEF	12.0	16.5	19.1	20.1	23	53.4	8.2	28.0
14	0.8750 - 20UNEF	12.0	16.5	19.1	20.1	23	55.0	8.2	28.0
16 S	1.0000 - 20UNEF	14.5	21.5	23.9	23.5	26	53.4	8.2	31.5
16	1.0000 - 20UNEF	14.5	21.5	23.9	23.5	26	65.8	8.0	31.5
18	1.1250 - 18UNEF	17.5	21.7	23.9	26.5	28	65.8	8.0	34.0
20	1.2500 - 18UNEF	19.5	26.0	29.6	30.5	32	66.1	8.9	37.2
22	1.3750 - 18UNEF	22.0	26.0	29.6	33.6	36	66.1	8.9	40.4
24	1.5000 - 18UNEF	25.0	34.5	37.8	36.1	39	65.7	9.2	43.5
28	1.7500 - 18UNS	29.0	34.3	37.8	41.4	46	66.2	9.2	49.9
32	2.0000 - 18UNS	34.0	43.6	47.8	48.6	52	73.8	11.7	56.0
36	2.2500 - 16UN	38.5	43.6	47.8	54.8	58	83.8	11.7	62.5
40	2.5000 - 16UN	48.0	52.6	57.8	60.9	65	83.8	11.7	69.0

Conector aéreo recto.
Incluye zócalo estanco (grommet) y adaptador inspeccionable para bota termorretractil.

Straight plug.
Includes wire sealing grommet and backshell with rotating clamp nut for heat shrink tubing.

Conector aéreo recto
Straight plug



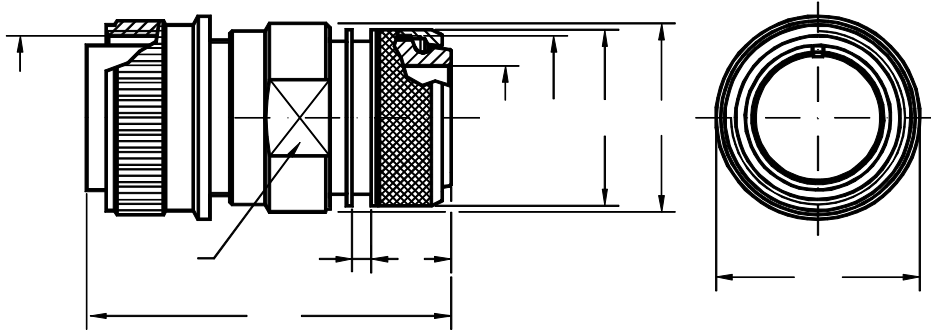
Ej. / Ex. :SCP3106R20-27P

Dimensiones del conector Shell Size	Rosca A A thread	L Max.	Q ±0.2
10 SL	0.6250 - 24UNEF	38.0	24.1
12 S	0.7500 - 20UNEF	38.0	25.0
12	0.7500 - 20UNEF	45.5	25.0
14 S	0.8750 - 20UNEF	47.5	28.0
14	0.8750 - 20UNEF	52.5	28.0
16 S	1.0000 - 20UNEF	45.5	31.5
16	1.0000 - 20UNEF	55.5	31.5
18	1.1250 - 18UNEF	55.5	34.0
20	1.2500 - 18UNEF	55.5	37.2
22	1.3750 - 18UNEF	55.5	40.4
24	1.5000 - 18UNEF	58.5	43.5
28	1.7500 - 18UNS	58.5	49.9
32	2.0000 - 18UNS	58.5	56.0
36	2.2500 - 16UN	58.5	62.5
40	2.5000 - 16UN	58.5	69.0

Conector aéreo recto.
Incluye zócalo estanco (grommet) y cuello posterior.
Para uso con conductores individuales.

Straight plug.
Includes wire sealing grommet and backshell.
For use with individual wires.

Conector aéreo recto Straight plug



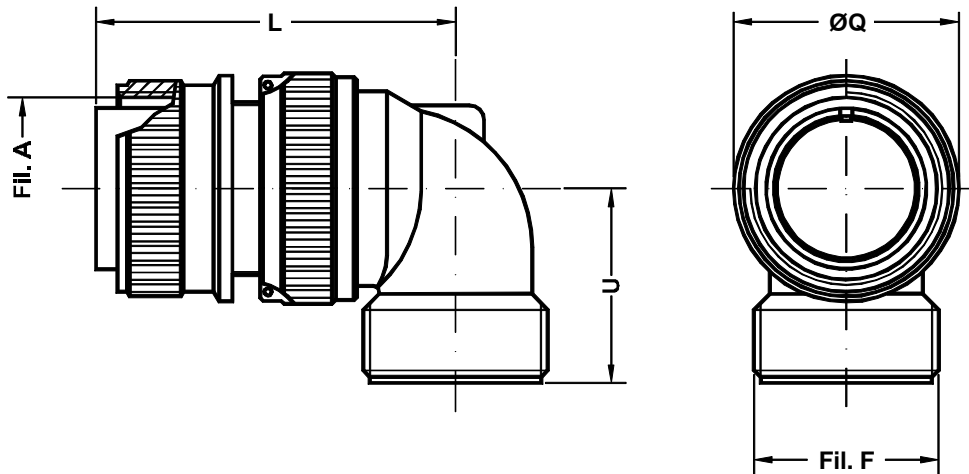
Ej. / Ex. : SCP3106SP20-27P

Dimensiones del conector Shell Size	Rosca A A thread	B min.	C ±0.1	D ±0.2	E ±0.2	Ch. K K key	L Max.	L1 ±0.1	Q ±0.2
10 S L	0.6250 - 24UNEF	8.5	13.0	15.5	17.0	20	52.7	8.2	24.1
12 S	0.7500 - 20UNEF	8.5	13.0	15.5	17.0	20	52.7	8.2	25.0
12	0.7500 - 20UNEF	8.5	13.0	15.5	17.0	20	57.5	8.2	25.0
14 S	0.8750 - 20UNEF	12.0	16.5	19.1	20.1	23	53.4	8.2	28.0
14	0.8750 - 20UNEF	12.0	16.5	19.1	20.1	23	55.0	8.2	28.0
16 S	1.0000 - 20UNEF	14.5	21.5	23.9	23.5	26	53.4	8.2	31.5
16	1.0000 - 20UNEF	14.5	21.5	23.9	23.5	26	65.8	8.0	31.5
18	1.1250 - 18UNEF	17.5	21.7	23.9	26.5	28	65.8	8.0	34.0
20	1.2500 - 18UNEF	19.5	26.0	29.6	30.5	32	66.1	8.9	37.2
22	1.3750 - 18UNEF	22.0	26.0	29.6	33.6	36	66.1	8.9	40.4
24	1.5000 - 18UNEF	25.0	34.5	37.8	36.1	39	65.7	9.2	43.5
28	1.7500 - 18UNS	29.0	34.3	37.8	41.4	46	66.2	9.2	49.9
32	2.0000 - 18UNS	34.0	43.6	47.8	48.6	52	73.8	11.7	56.0
36	2.2500 - 16UN	38.5	43.6	47.8	54.8	58	83.8	11.7	62.5
40	2.5000 - 16UN	48.0	52.6	57.8	60.9	65	83.8	11.7	69.0

Conector aéreo recto.
Incluye zócalo estanco (grommet) y adaptador
inspeccionable para terminación de pantalla y
bota termorretráctil .

Straight plug.
Includes wire sealing grommet and backshell
with rotating clamp nut. Shielded cable is
terminated with a "braid trap" nut and heat
shrink tubing.

Conector aéreo acodado 90° plug



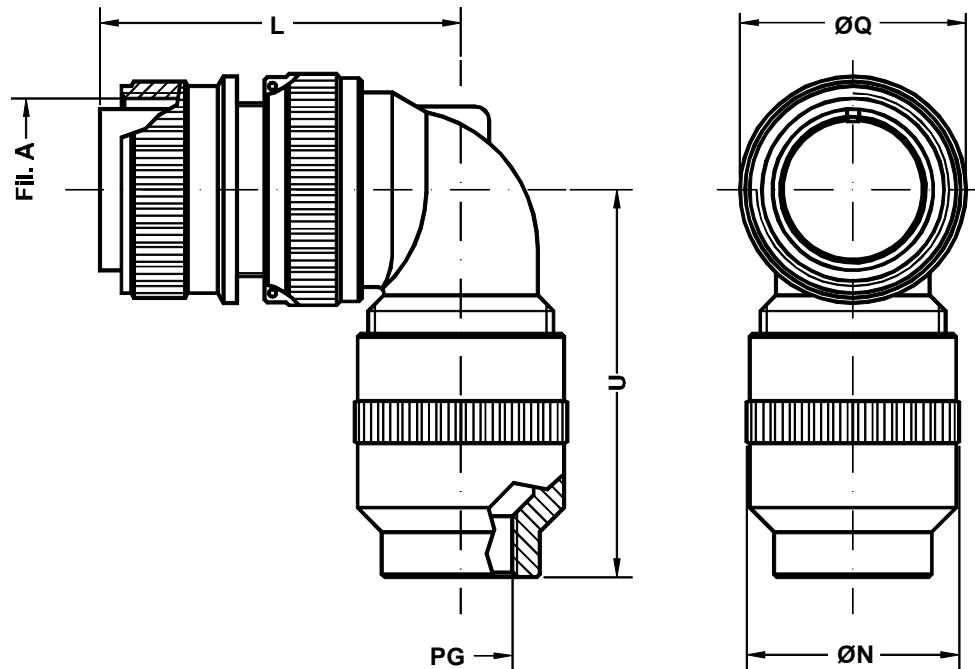
Ej./Ex. : SCP3108A20-27P

Dimensiones del conector	Rosca A	Rosca F	L	Q	U
Shell Size	A thread	F thread	Max.	±0.2	±0.2
10 S L	0.6250 - 24U N E F	0.6250 - 24U N E F	40	24.1	25.0
12 S	0.7500 - 20U N E F	0.6250 - 24U N E F	40	25.0	25.0
12	0.7500 - 20U N E F	0.6250 - 24U N E F	50	25.0	25.0
14 S	0.8750 - 20U N E F	0.7500 - 20U N E F	42	28.0	26.5
14	0.8750 - 20U N E F	0.7500 - 20U N E F	52	28.0	26.5
16 S	1.0000 - 20U N E F	0.8750 - 20U N E F	46	31.5	27.0
16	1.0000 - 20U N E F	0.8750 - 20U N E F	55	31.5	27.0
18	1.1250 - 18U N E F	1.0000 - 20U N E F	57	34.0	30.0
20	1.2500 - 18U N E F	1.1875 - 18U N E F	62	37.2	32.0
22	1.3750 - 18U N E F	1.1875 - 18U N E F	62	40.4	32.0
24	1.5000 - 18U N E F	1.4375 - 18U N E F	67	43.5	37.0
28	1.7500 - 18U N S	1.4375 - 18U N E F	67	49.9	38.0
32	2.0000 - 18U N S	1.7500 - 18U N S	72	56.0	45.5
36	2.2500 - 16U N	2.0000 - 18U N S	75	62.5	47.2
40	2.5000 - 16U N	2.2500 - 16U N	78	69.0	52.0

Conector aéreo con salida de cable acodada a 90°. Incluye junta tórica (O-Ring) trasero. En la versión de clase R se incluye zócalo estanco (grommet).

Plug with 90° backshell.
R class includes a wire sealing grommet.

Conector aéreo acodado 90° plug



Ej. / Ex. :SCP3108A20-27PPG16

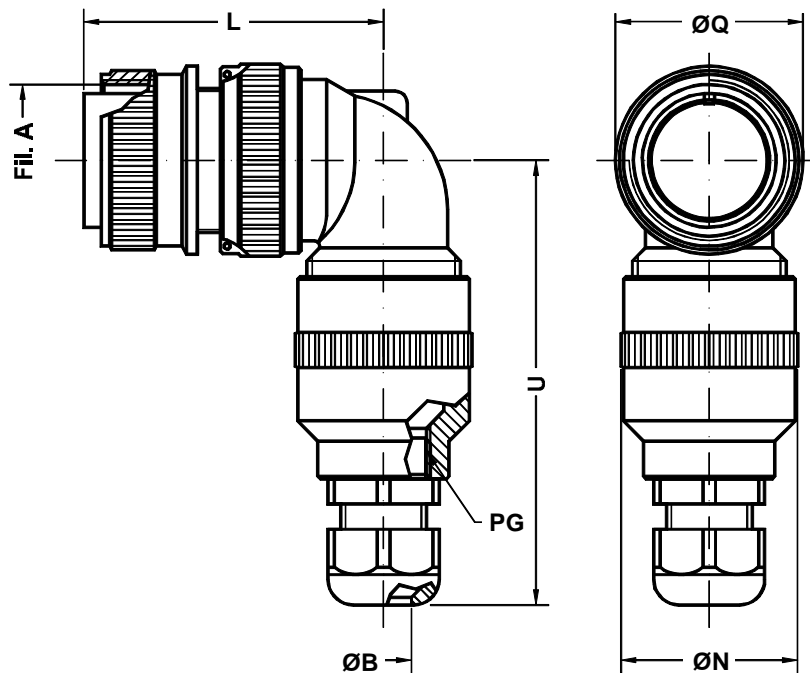
Dimensiones del conector	Rosca A	L	N	Rosca PG	Q	U
Shell Size	A thread	Max.	Max.	PG thread	±0.2	Max.
10 SL	0.6250 - 24UNEF	40	25	07/09/2011	24.1	50.0
12 S	0.7500 - 20UNEF	40	25	07/09/2011	25.0	50.0
12	0.7500 - 20UNEF	50	25	07/09/2011	25.0	50.0
14 S	0.8750 - 20UNEF	42	26	nov-16	28.0	51.0
14	0.8750 - 20UNEF	52	26	nov-16	28.0	51.0
16 S	1.0000 - 20UNEF	46	26	nov-16	31.5	51.5
16	1.0000 - 20UNEF	55	26	nov-16	31.5	51.5
18	1.1250 - 18UNEF	57	33	11 / 13,5 / 16 / 21	34.0	54.5
20	1.2500 - 18UNEF	62	43	16 / 21 / 29	37.2	56.5
22	1.3750 - 18UNEF	62	43	16 / 21 / 29	40.4	56.5
24	1.5000 - 18UNEF	67	45	16 / 21 / 29	43.5	61.5
28	1.7500 - 18UNS	67	45	16 / 21 / 29	49.9	62.5
32	2.0000 - 18UNS	72	51	21 / 29	56.0	75.0
36	2.2500 - 16UN	75	58	21 / 29	62.5	82.7
40	2.5000 - 16UN	78	63	21 / 29 / 36	69.0	87.5

Conector aéreo con salida de cable acodada a 90° con adaptador para acoplar prensaestopas PG (no incluido).

Otros tipos de adaptadores PG, para diferentes tamaños están disponibles, bajo pedido.
Zócalo estanco (grommet) no incluido.

Plug with 90° backshell and adaptor for use with PG cable glands (not included). Other types of PG adaptors can be supplied in various sizes upon request.
No grommet supplied.

Conector aéreo acodado 90° plug



Ej./Ex.: SCP3108A20-27PPH16

Dimensiones del conector Shell Size	Rosca A A thread	B min.÷Max.	L Max.	N Max.	Rosca PG PG thread	Q ±0.2	U Max.
10 SL	0.6250 - 24UNEF	3÷6.5 / 4÷8 / 5÷10	40	25	7 / 9 / 11	24.1	80.0
12 S	0.7500 - 20UNEF	3÷6.5 / 4÷8 / 5÷10	40	25	7 / 9 / 11	25.0	80.0
12	0.7500 - 20UNEF	3÷6.5 / 4÷8 / 5÷10	50	25	7 / 9 / 11	25.0	80.0
14 S	0.8750 - 20UNEF	5÷10 / 9÷14	42	26	11 / 16	28.0	82.0
14	0.8750 - 20UNEF	5÷10 / 9÷14	52	26	11 / 16	28.0	82.0
16 S	1.0000 - 20UNEF	5÷10 / 9÷14	46	26	11 / 16	31.5	82.5
16	1.0000 - 20UNEF	5÷10 / 9÷14	55	26	11 / 16	31.5	82.5
18	1.1250 - 18UNEF	5÷10 / 6÷12 / 9÷14 / 13÷18	57	33	11 / 13,5 / 16 / 21	34.0	89.5
20	1.2500 - 18UNEF	9÷14 / 13÷18 / 15÷25	62	43	16 / 21 / 29	37.2	95.5
22	1.3750 - 18UNEF	9÷14 / 13÷18 / 15÷25	62	43	16 / 21 / 29	40.4	95.5
24	1.5000 - 18UNEF	9÷14 / 13÷18 / 15÷25	67	45	16 / 21 / 29	43.5	100.5
28	1.7500 - 18UNS	9÷14 / 13÷18 / 15÷25	67	45	16 / 21 / 29	49.9	101.5
32	2.0000 - 18UNS	13÷18 / 15÷25	72	51	21 / 29	56.0	114.0
36	2.2500 - 16UN	13÷18 / 15÷25	75	58	21 / 29	62.5	121.7
40	2.5000 - 16UN	13÷18 / 15÷25 / 20÷32	78	63	21 / 29 / 36	69.0	136.5

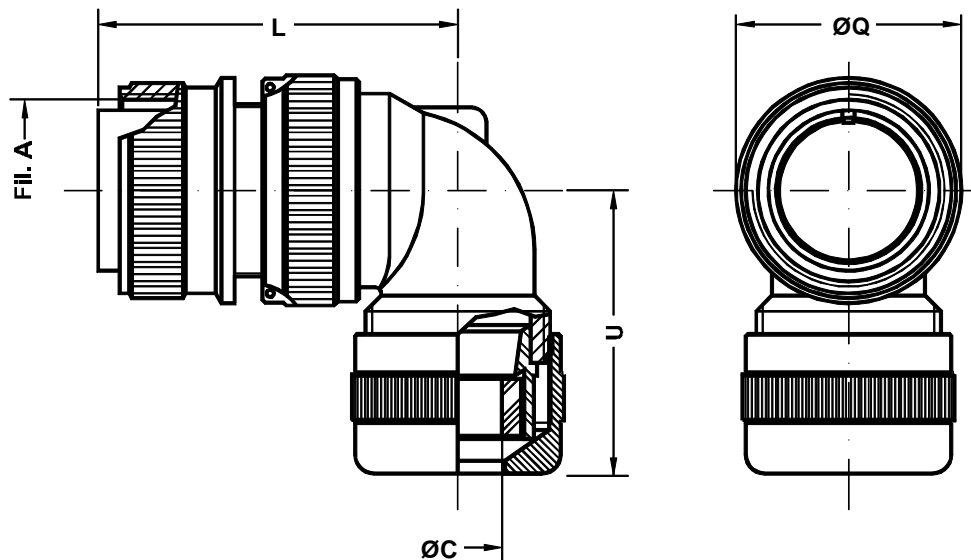
Conector con salida de cable acodada a 90° con adaptador para acoplar prensaestopas PG (éste incluido).

Otros tipos de adaptadores PG, para diferentes tamaños están disponibles, bajo pedido.
Zócalo estanco (grommet) no incluido.

Plug with 90° backshell, adaptor and plastic PG cable gland.

Other types of PG adaptors can be supplied in various sizes upon request.
No grommet supplied.

Conector aéreo acodado 90° plug



Ej./Ex. : SCP3108A20-27PPHM11

Dimensiones del conector Shell Size	P. N. PHM	Rosca A A thread	C min. ÷ Max.	L Max.	Q ±0.2	U Max.
10 SL	11	0.6250 - 24UNEF	2÷11	40	24.1	40.0
12 S	11	0.7500 - 20UNEF	2÷11	40	25.0	40.0
12	11	0.7500 - 20UNEF	2÷11	50	25.0	40.0
14 S	11	0.8750 - 20UNEF	2÷11	42	28.0	41.5
14	11	0.8750 - 20UNEF	2÷11	52	28.0	41.5
16 S	11	1.0000 - 20UNEF	2÷11	46	31.5	40.0
16	11	1.0000 - 20UNEF	2÷11	55	31.5	40.0
18	11 / 18	1.1250 - 18UNEF	2÷11 / 9÷16.5	57	34.0	47.0
20	11 / 18	1.2500 - 18UNEF	2÷11 / 9÷16.5	62	37.2	49.0
22	18	1.3750 - 18UNEF	9÷16.5	62	40.4	49.0
24	18 / 22 / 24	1.5000 - 18UNEF	9÷16.5 / 15÷20 / 19÷24	67	43.5	58.0
28	18 / 22 / 24	1.7500 - 18UNS	9÷16.5 / 15÷20 / 19÷24	67	49.9	59.0
32	22 / 24	2.0000 - 18UNS	15÷20 / 19÷24	72	56.0	70.5
36	35	2.2500 - 16UN	23÷35	75	62.5	72.2
40	35	2.5000 - 16UN	23÷35	78	69.0	77.0

Conctor aéreo con salida de cable acodada a 90°.

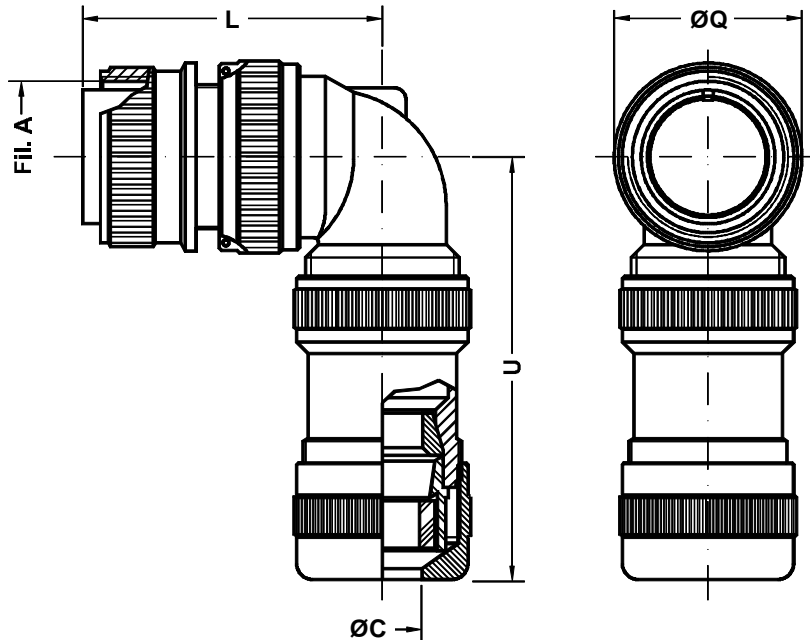
Incluye adaptador PHM que asegura una buena sujeción mecánica del cable y garantiza la mejor estanqueidad si se usan los manguitos de neopreno adecuados. Zócalo estanco (grommet) no incluido.

Plug with 90° backshell.

Includes a PHM cable clamp that assures an excellent mechanical and waterproof seal if used with the correct neoprene sealing sleeves.

No grommet supplied.

Conector aéreo acodado 90° plug



Ej./Ex.: SCP3108A20-27PPHM11EMI

Dimensiones del conector Shell Size	P.N. PHM	Rosca A A thread	C min. ÷ Max.	L Max.	Q ±0.2	U Max.
10 SL	11	0.6250 - 24UNEF	2÷11	40	24.1	60.0
12 S	11	0.7500 - 20UNEF	2÷11	40	25.0	60.0
12	11	0.7500 - 20UNEF	2÷11	50	25.0	60.0
14 S	11	0.8750 - 20UNEF	2÷11	42	28.0	61.5
14	11	0.8750 - 20UNEF	2÷11	52	28.0	61.5
16 S	11	1.0000 - 20UNEF	2÷11	46	31.5	60.0
16	11	1.0000 - 20UNEF	2÷11	55	31.5	60.0
18	11 / 18	1.1250 - 18UNEF	2÷11 / 9÷16.5	57	34.0	67.0
20	11 / 18	1.2500 - 18UNEF	2÷11 / 9÷16.5	62	37.2	69.0
22	18	1.3750 - 18UNEF	9÷16.5	62	40.4	69.0
24	18 / 22 / 24	1.5000 - 18UNEF	9÷16.5 / 15÷20 / 19÷24	67	43.5	78.0
28	18 / 22 / 24	1.7500 - 18UNS	9÷16.5 / 15÷20 / 19÷24	67	49.9	79.0
32	22 / 24	2.0000 - 18UNS	15÷20 / 19÷24	72	56.0	90.5
36	35	2.2500 - 16UN	23÷35	75	62.5	92.2
40	35	2.5000 - 16UN	23÷35	78	69.0	97.0

Conector aéreo con salida de cable acodada a 90°.

Incluye adaptador PHM que asegura una buena sujeción mecánica para cables multipolares apantallados y garantiza la mejor estanqueidad empleando los manguitos de neopreno adecuados.

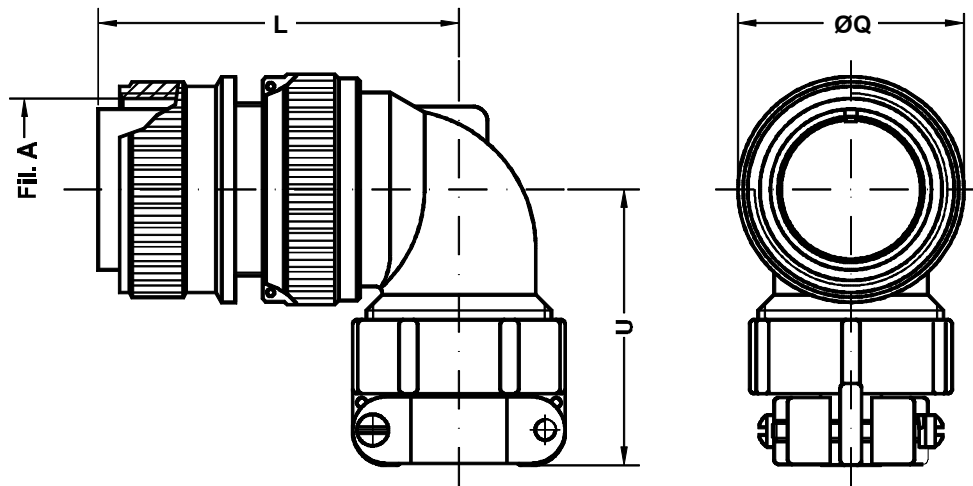
Zócalo estanco (grommet) no incluido.

Plug with 90° backshell.

Includes a PHM cable clamp that assures an excellent mechanical and waterproof seal with multipolar shielded cables if used with the correct neoprene sealing sleeves.

No grommet supplied.

Conector aéreo acodado 90° plug



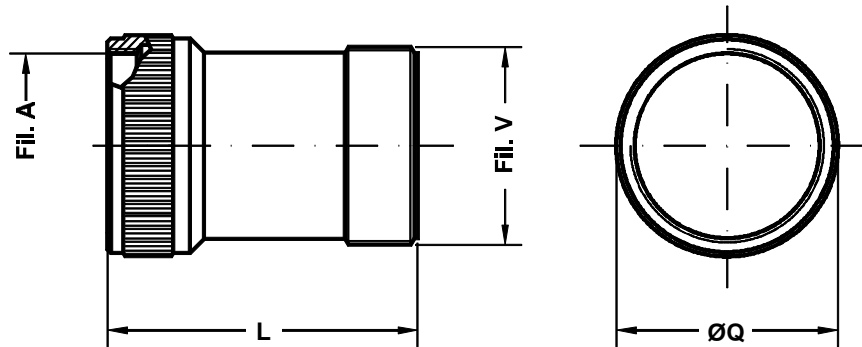
Ej./Ex. : SCP3108F20-27P

Dimensiones del conector Shell Size	Rosca A A thread	L Max.	Q ±0.2	U Max.
10 SL	0.6250 - 24UNEF	40	24.1	36.0
12 S	0.7500 - 20UNEF	40	25.0	36.0
12	0.7500 - 20UNEF	50	25.0	36.0
14 S	0.8750 - 20UNEF	42	28.0	38.5
14	0.8750 - 20UNEF	52	28.0	38.5
16 S	1.0000 - 20UNEF	46	31.5	41.0
16	1.0000 - 20UNEF	55	31.5	41.0
18	1.1250 - 18UNEF	57	34.0	50.0
20	1.2500 - 18UNEF	62	37.2	48.0
22	1.3750 - 18UNEF	62	40.4	48.0
24	1.5000 - 18UNEF	67	43.5	54.0
28	1.7500 - 18UNS	67	49.9	55.0
32	2.0000 - 18UNS	72	56.0	64.5
36	2.2500 - 16UN	75	62.5	67.2
40	2.5000 - 16UN	78	69.0	91.0

Conector aéreo con salida acodada a 90°.
Incluye zócalo estanco (gommet), adaptador
con mecanizado posterior, brida tipo A
(MS3057) para cable y manguito reductor de
neopreno.

Plug complete with a 90° backshell.
Includes insulating grommet, class A cable
clamp SCPB3057 and neoprene sleeve.

Cuello largo para conector aéreo
Long backshell for plug connectors

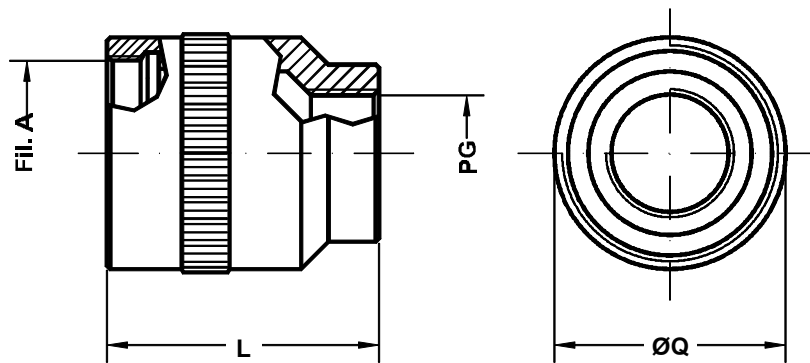


Dimensiones del conector Shell Size	Rosca A A thread	L Max.	Q ±0.2	Rosca V V thread
10 SL	0.6250 - 24UNEF	50.0	20.0	0.6250 - 24UNEF
12 S - 12	0.6250 - 24UNEF	50.0	20.0	0.6250 - 24UNEF
14 S - 14	0.7500 - 20UNEF	50.0	23.0	0.7500 - 20UNEF
16 S	0.8750 - 20UNEF	50.0	25.0	0.8750 - 20UNEF
16	0.8750 - 20UNEF	54.0	25.0	0.8750 - 20UNEF
18	1.0000 - 20UNEF	56.0	29.5	1.0000 - 20UNEF
20	1.1250 - 18UNEF	56.0	32.0	1.1875 - 18UNEF
22	1.2500 - 18UNEF	56.0	35.0	1.1875 - 18UNEF
24	1.3750 - 18UNEF	56.0	38.5	1.4375 - 18UNEF
28	1.6250 - 18UNEF	61.0	45.0	1.4375 - 18UNEF
32	1.8750 - 16UN	61.0	53.2	1.7500 - 18UNS
36	2.0625 - 16UN	61.0	57.4	2.0000 - 18UNS
40	2.3125 - 16UN	61.0	63.2	2.2500 - 16UN

Sustituye la utilización del cuello standard.
Facilita el trabajo con cable multiconductor.
Disponibile para el uso con brida MS3057 -
XX A/B/C.

To make wiring easier, a longer backshell is
available for use with cable clamp MS3057-
XX A/B/C.

Rácor PG PG adaptor

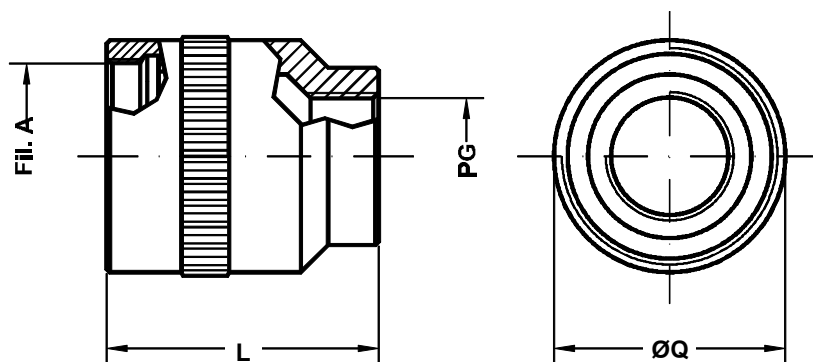


Dimensiones del conector Shell Size	Rosca A A thread	L Max.	Q Max.	Rosca PG Rosca PG
10 SL	0.6250 - 24UNEF	30.0	22.5	7 / 9 / 11
12 S - 12	0.6250 - 24UNEF	30.0	22.5	7 / 9 / 11
14 S - 14	0.7500 - 20UNEF	32.0	23.5	11 / 13.5
16 S	0.8750 - 20UNEF	32.0	25.5	9 / 11 / 16
16	0.8750 - 20UNEF	32.0	25.5	9 / 11 / 16
18	1.0000 - 20UNEF	40.0	30.5	9 / 11 / 16 / 21
20	1.1250 - 18UNEF	42.0	35.5	11 / 16 / 21
22	1.2500 - 18UNEF	42.0	35.5	13.5 / 16 / 21
24	1.3750 - 18UNEF	42.0	40.5	13.5 / 16 / 21 / 29
28	1.6250 - 18UNEF	47.0	45.5	16 / 21 / 29
32	1.8750 - 16UN	52.0	52.5	21 / 29
36	2.0625 - 16UN	57.0	60.0	21 / 29 / 36
40	2.3125 - 16UN	62.0	63.5	29 / 36

Adaptador para acoplar prensaestopas PG.
Para el uso en conectores aéreos rectos de
clase A.

Adaptor for PG cable gland.
For use with class A straight plugs.

Rácor PG PG adaptor

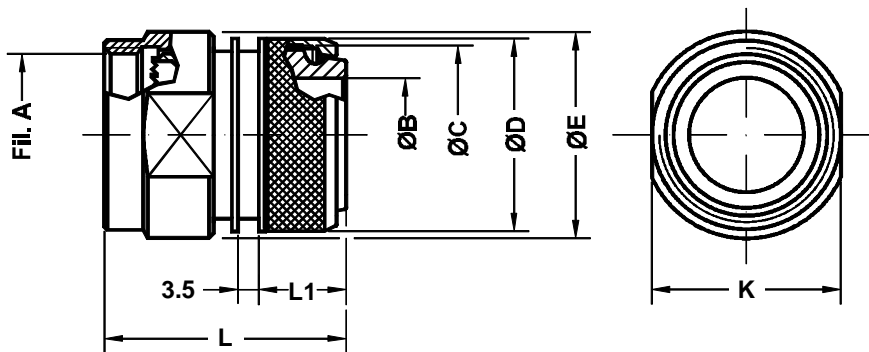


Dimensiones del conector	Rosca A	L	Q	Rosca PG
Shell Size	A thread	Max.	Max.	PG thread
10 SL	0.6250 - 24UNEF	30.0	22.5	07/09/2011
12 S - 12	0.7500 - 20UNEF	30.0	22.5	07/09/2011
14 S - 14	0.8750 - 20UNEF	32.0	23.5	11 / 13.5
16 S	1.0000 - 20UNEF	32.0	25.5	09/11/2016
16	1.0000 - 20UNEF	32.0	25.5	09/11/2016
18	1.1250 - 18UNEF	40.0	30.5	9 / 11 / 16 / 21
20	1.2500 - 18UNEF	42.0	35.5	11 / 16 / 21
22	1.3750 - 18UNEF	42.0	35.5	13.5 / 16 / 21
24	1.5000 - 18UNEF	42.0	40.5	13.5 / 16 / 21 / 29
28	1.7500 - 18UNS	47.0	45.5	16 / 21 / 29
32	2.0000 - 18UNS	52.0	52.5	21 / 29
36	2.2500 - 16UN	57.0	60.0	21 / 29 / 36
40	2.5000 - 16UN	62.0	63.5	29 / 36

Adaptador para acoplar prensaestopas PG.
Para el uso en conectores acodados a 90° de clase A.

Adaptor for PG cable gland.
For use with class A 90° plugs.

Cuello para conector aéreo Backshell for plug connectors

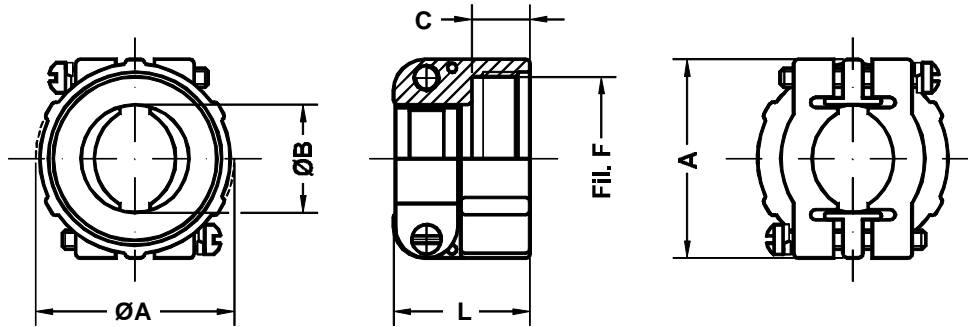


Dimensiones del conector Shell Size	Rosca A A thread	B m in.	C ±0.1	D ±0.2	E ±0.2	Ch. K K key	L Max.	L1 ±0.1
10 SL	0.6250 - 24UNEF	8.5	13.0	15.5	17.0	20	35.0	8.2
12 S - 12	0.6250 - 24UNEF	8.5	13.0	15.5	17.0	20	35.0	8.2
14 S - 14	0.7500 - 20UNEF	12.0	16.5	19.1	20.1	23	35.0	8.2
16 S	0.8750 - 20UNEF	14.5	21.5	23.9	23.5	26	35.0	8.2
16	0.8750 - 20UNEF	14.5	21.5	23.9	23.5	26	40.0	8.0
18	1.0000 - 20UNEF	17.5	21.7	23.9	26.5	28	40.0	8.0
20	1.1250 - 18UNEF	19.5	26.0	29.6	30.5	32	40.0	8.9
22	1.2500 - 18UNEF	22.0	26.0	29.6	33.6	36	40.0	8.9
24	1.3750 - 18UNEF	25.0	34.5	37.8	36.1	39	40.0	9.2
28	1.6250 - 18UNEF	29.0	34.3	37.8	41.4	46	40.0	9.2
32	1.8750 - 16UN	34.0	43.6	47.8	48.6	52	43.0	11.7
36	2.0625 - 16UN	38.5	43.6	47.8	54.8	58	45.0	11.7
40	2.3125 - 16UN	48.0	52.6	57.8	60.9	65	45.0	11.7

Adaptador inspeccionable para conector aéreo con terminación de pantalla y bota termorretráctil .

Backshell with rotating clamp nut for terminating shielded cable with a "braid trap" nut and heat shrink tubing.

Brida tipo A Cable clamp

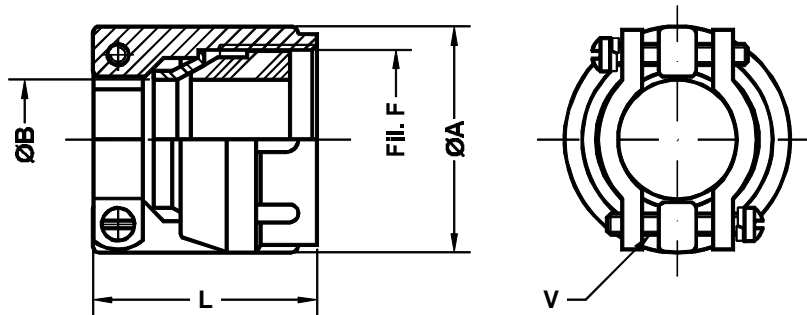


Código P/N	Dimens. Con. Connector size	Manguito a utilizar Sleeve to use	A	B	C	Rosca F F thread	L
SCP3057 - 4A	10SL - 12 - 12S	SCP3420 - 4	25	8.2	10.2	0.6250 - 24UNEF	21.0
SCP3057 - 6A	14 - 14S	SCP3420 - 6	27	11.2	10.2	0.7500 - 20UNEF	22.2
SCP3057 - 8A	16 - 16S	SCP3420 - 8	28	14.2	10.2	0.8750 - 20UNEF	24.0
SCP3057 - 10A	18	SCP3420 - 10	33	16.0	10.2	1.0000 - 20UNEF	28.5
SCP3057 - 12A	20 - 22	SCP3420 - 12	35	19.0	10.2	1.1875 - 18NEF	24.0
SCP3057 - 16A	24 - 28	SCP3420 - 16	43	23.8	10.5	1.4375 - 18NEF	26.0
SCP3057 - 20A	32	SCP3420 - 20	51	31.7	12.5	1.7500 - 18NS	28.0
SCP3057 - 24A	36	SCP3420 - 24	58	35.0	14.0	2.0000 - 18NS	29.4
SCP3057 - 28A	40	SCP3420 - 28	65	41.2	14.0	2.2500 - 16UN	42.8

Brida de uso general para sujeción mecánica de cables multipolares con o sin cubierta.

General duty cable clamp suitable for jacketed or multipolar cable or wires protected by tubing.

Brida tipo C Cable clamp

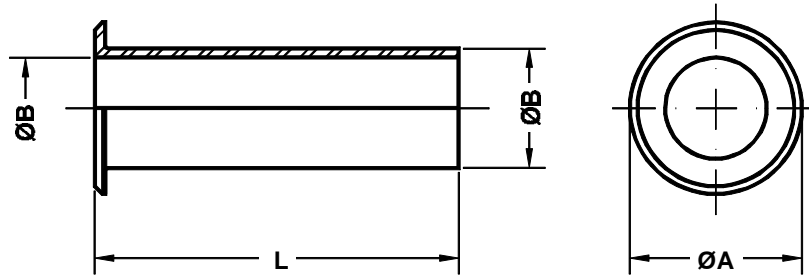


Código P/N	Dim. con. Conn. size	Manguito a utilizar Sleeve to use	A	B		Rosca F F thread	L	Rosca V V thread
				min.	Max.			
SCP 3057 - 40	10SL - 12 - 12S	SCP3420 - 4A	22.6	2.38	7.93	0.6250 - 24UNEF	32.3	6 - 32 NC
SCP 3057 - 60	14 - 14S	SCP3420 - 4A / 6A	25.8	5.84	11.12	0.7500 - 20UNEF	32.3	6 - 32 NC
SCP 3057 - 80	16 - 16S	SCP3420 - 6A / 8A	28.1	8.00	13.84	0.8750 - 20UNEF	32.3	6 - 32 NC
SCP 3057 - 100	18	SCP3420 - 6A / 10A	31.0	9.60	15.87	1.0000 - 20UNEF	35.3	6 - 32 NC
SCP 3057 - 120	20 - 22	SCP3420 - 8A / 12A	37.3	11.30	19.00	1.1875 - 18NEF	35.7	8 - 32 NC
SCP 3057 - 160	24 - 28	SCP3420 - 8A / 12A / 16A	42.0	15.50	23.80	1.4375 - 18NEF	38.5	8 - 32 NC
SCP 3057 - 200	32	SCP3420 - 12A / 16A / 20A	54.0	23.40	31.75	1.7500 - 18NS	44.8	250 - 20 NC
SCP 3057 - 240	36	SCP3420 - 16A / 18A / 24A	57.1	23.40	35.00	2.0000 - 18NS	51.6	250 - 20 NC
SCP 3057 - 280	40	SCP3420 - 16A / 20A / 28A	63.5	29.90	41.25	2.2500 - 16UN	51.6	250 - 20 NC

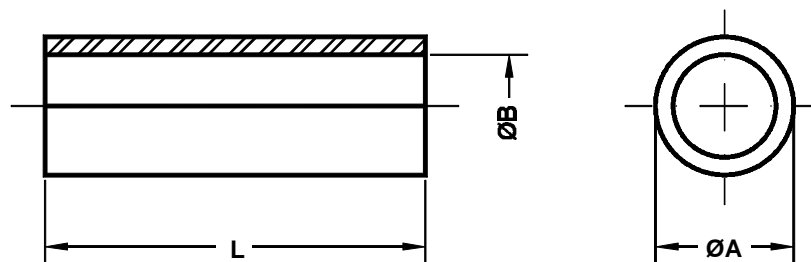
Brida de uso general para sujeción mecánica de cables con cubierta ó protegidos con tubo.
Asegura estanqueidad en la parte trasera del conector.

Waterproof cable clamp suitable for jacketed cable or wires protected by tubing. Assures watertight integrity of connector.

Manguito de neopreno
Neoprene sleeve



Código P /N	A ±0.1	B ±0.1	C ±0.1	L ±0.1
SCP 3420 - 4	12.8	7.67	5.58	69.8
SCP 3420 - 6	15.7	10.84	7.92	66.8
SCP 3420 - 8	18.8	14.02	11.09	63.5
SCP 3420 - 10	22.0	15.62	14.27	60.3
SCP 3420 - 12	27.0	18.79	15.87	57.1
SCP 3420 - 16	33.3	23.54	19.05	53.9
SCP 3420 - 20	40.5	31.49	23.79	50.8
SCP 3420 - 24	46.9	34.67	31.75	47.6
SCP 3420 - 28	52.9	40.99	34.92	44.4



Código P /N	A ±0.1	B ±0.1	L ±0.1
SCP 3420 - 4A	7.63	5.56	50.5
SCP 3420 - 6A	10.50	7.93	50.5
SCP 3420 - 8A	13.50	11.10	50.5
SCP 3420 - 10A	15.70	11.10	50.5
SCP 3420 - 12A	18.50	13.74	50.9
SCP 3420 - 16A	23.60	19.00	50.9
SCP 3420 - 20A	31.10	23.80	50.2
SCP 3420 - 24A	33.90	28.50	51.1
SCP 3420 - 28A	40.60	31.80	50.2
SCP 3420 - 29A	45.00	41.00	50.5

MS3420-XX : Manguito de protección y reducción a utilizar con brida calse A.
MS3420-XXA : Manguito de protección y reducción a utilizar con brida calse C.

SCP3420-XX : Neoprene sleeve for protection and reduction, used with calss A cable clamps.

SCP3420-XXA : Neoprene sleeve for protection and reduction, used with class C cable clamps.

Tapón de rosca exterior para conectores aéreos Threaded cap for plug connectors

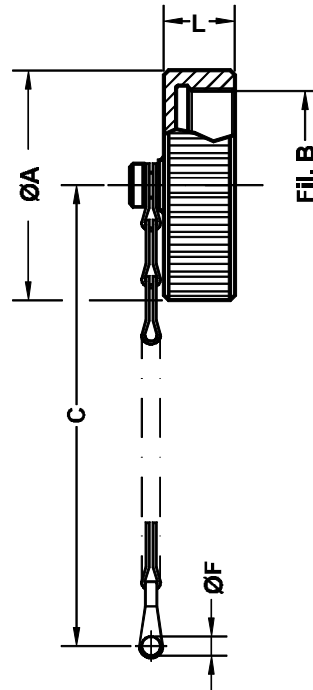


Código	Dimens. conn.	A	Rosca B	C	F	L
P/N	Connector size		B thread	min.	+0.25 -0.13	
SCP25042 - 10D	10S - 10SL	17.4	0.6250 - 24UNEF	102	3.95	16.6
SCP25042 - 12D	12 - 12S	20.6	0.7500 - 20UNEF	115	3.95	21.4
SCP25042 - 14D	14 - 14S	23.7	0.8750 - 20UNEF	115	3.95	21.4
SCP25042 - 16D	16 - 16S	26.9	1.0000 - 20UNEF	115	3.95	21.4
SCP25042 - 18D	18	30.0	1.1250 - 18UNEF	115	3.95	21.4
SCP25042 - 20D	20	33.0	1.2500 - 18UNEF	127	4.80	21.4
SCP25042 - 22D	22	36.4	1.3750 - 18UNEF	127	4.80	21.4
SCP25042 - 24D	24	39.6	1.5000 - 18UNEF	140	4.80	21.4
SCP25042 - 28D	28	46.0	1.7500 - 18UNS	197	4.80	21.4
SCP25042 - 32D	32	52.0	2.0000 - 18UNS	197	5.60	21.4
SCP25042 - 36D	36	58.7	2.2500 - 16UN	197	5.60	21.4
SCP25042 - 40D	40	65.0	2.5000 - 16UN	197	5.60	21.4

Tapón metálico com cadena de acero
inoxidable.

Metal cap with stainless steel chain .

Tapón de rosca interior para conector de panel
Threaded cap for receptacle connectors

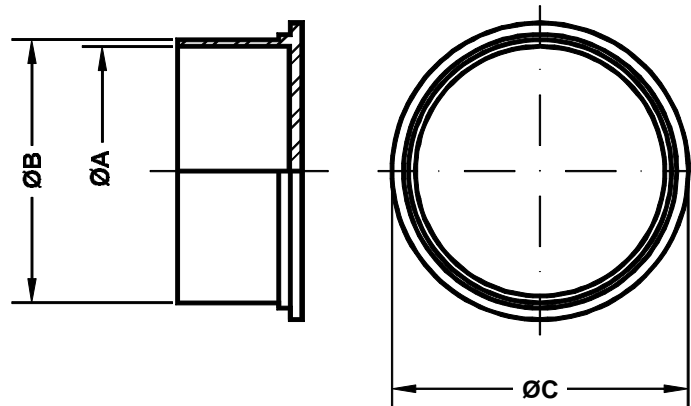


Código	Dimens. conn.	A	Rosca B	C	L	F
P /N	Connector size		B thread	min.		+0.25 -0.13
SCP 25043 - 10D	10S - 10SL	20.7	0.6250 - 24UNEF	102	11.9	3:55
SCP 25043 - 12D	12 - 12S	25.4	0.7500 - 20UNEF	115	11.9	3:55
SCP 25043 - 14D	14 - 14S	28.6	0.8750 - 20UNEF	115	11.9	3:55
SCP 25043 - 16D	16 - 16S	30.2	1.0000 - 20UNEF	115	11.9	3:55
SCP 25043 - 18D	18	34.1	1.1250 - 18UNEF	115	11.9	3:55
SCP 25043 - 20D	20	37.3	1.2500 - 18UNEF	127	11.9	3:55
SCP 25043 - 22D	22	40.4	1.3750 - 18UNEF	127	11.9	3:55
SCP 25043 - 24D	24	43.6	1.5000 - 18UNEF	140	11.9	4:30
SCP 25043 - 28D	28	50.0	1.7500 - 18UNS	197	13.5	4:30
SCP 25043 - 32D	32	56.3	2.0000 - 18UNS	197	13.5	4.80
SCP 25043 - 36D	36	62.7	2.2500 - 16UN	197	13.5	4.80
SCP 25043 - 40D	40	69.0	2.5000 - 16UN	197	13.5	4.80

Tapón metálico com cadena de acero
inoxidable.

Metal cap with stainless steel chain .

Tapón de plástico antipolvo Protective plastic cap

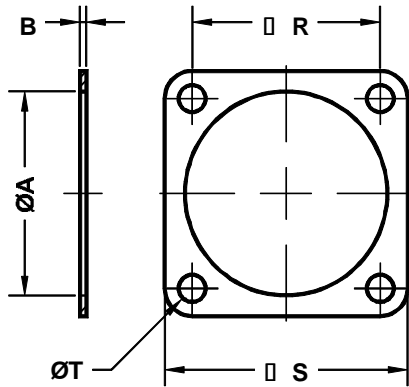


Código P/N	Dimens. Con. Shell size	A ±0.25	B ±0.25	C ±0.78
SCP 90376 - 10Y	10SL	13.46	15:11	19:05
SCP 90376 - 10R		15:37	16.89	21:33
SCP 90376 - 12Y	12S	16.64	18:16	21.84
SCP 90376 - 12R		18:29	19.68	24.64
SCP 90376 - 14Y	14S	19.94	21:46	26.19
SCP 91376 - 14R		21:59	22.99	28.57
SCP 90376 - 16Y	16S - 16	22.68	24.46	28.57
SCP 90376 - 16R		23.80	26.29	30.99
SCP 90376 - 18Y	18	26.11	27.63	31.75
SCP 91376 - 18R		27.76	29.34	33.78
SCP 90376 - 20Y	20	29.21	30.86	35.71
SCP 90376 - 20R		31.28	33.04	37.21
SCP 90376 - 22Y	22	32.26	34.04	38.10
SCP 90376 - 22R		34.04	35.81	40.38
SCP 90376 - 24Y	24	35.30	37.08	41.66
SCP 90376 - 24R		37.16	38.94	43.18
SCP 90376 - 28Y	28	41.86	43.64	47.62
SCP 91376 - 28R		43.56	45.46	49.53
SCP 90376 - 32Y	32	48.00	50.04	53.97
SCP 90376 - 32R		49.91	51.82	56.39
SCP 90376 - 36Y	36	54.35	56.13	59.44
SCP 90376 - 36R		56.26	58.16	61.85
SCP 90376 - 40Y	40	60.45	62.23	66.04
SCP 90376 - 40R		61.98	64.26	67.56

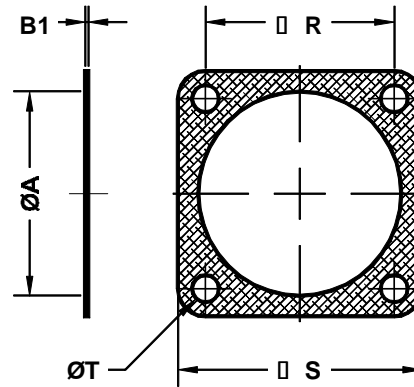
Tapón de protección contra el polvo.
La versión "R" se utiliza en conectores de panel. La versión "Y" con conectores aéreos.

Cap for protection against dust.
The "R" version is for use with receptacles.
The "Y" version for plugs.

Junta plana para conector de montaje frontal en panel Plain flat gasket



SCP10 40450-XX



SCP10 40450-XXS

Código	Dim. Con.	A	B	B 1	R	S	T
P /N	Shell size	+1 -0	±0.4	±0.2	±0.2	±0.5	+0.5 -0
SCP 40450 - 10	10SL	15.7	1.0	0.5	18.2	25.4	4.2
SCP 40450 - 12	12S - 12	18.9	1.0	0.5	20.6	28.0	4.2
SCP 40450 - 14	14S - 14	22.1	1.0	0.5	23.0	30.0	4.2
SCP 40450 - 16	16S - 16	25.3	1.0	0.5	24.6	32.5	4.2
SCP 40450 - 18	18	28.4	1.0	0.5	27.0	35.0	4.2
SCP 40450 - 20	20	31.6	1.0	0.5	29.4	38.0	4.2
SCP 40450 - 22	22	34.8	1.0	0.5	31.8	41.0	4.2
SCP 40450 - 24	24	38.0	1.0	0.5	34.9	44.5	4.2
SCP 40450 - 28	28	44.3	1.0	0.5	39.7	50.8	5.1
SCP 40450 - 32	32	50.7	1.0	0.5	44.5	57.0	5.1
SCP 40450 - 36	36	57.0	1.0	0.5	49.2	63.5	5.1
SCP 40450 - 40	40	61.9	1.0	0.5	55.5	69.9	5.1

Junta plana para conector con base cuadrada y montaje frontal en panel.

SCP10-40450-XX : no conductiva,
 SCP10-40450-XXS : conductiva.

Gasket for square flange receptacle for rear panel mounting.

SCP10-40450-XX : non conductive,
 SCP10-40450-XXS : conductive.