

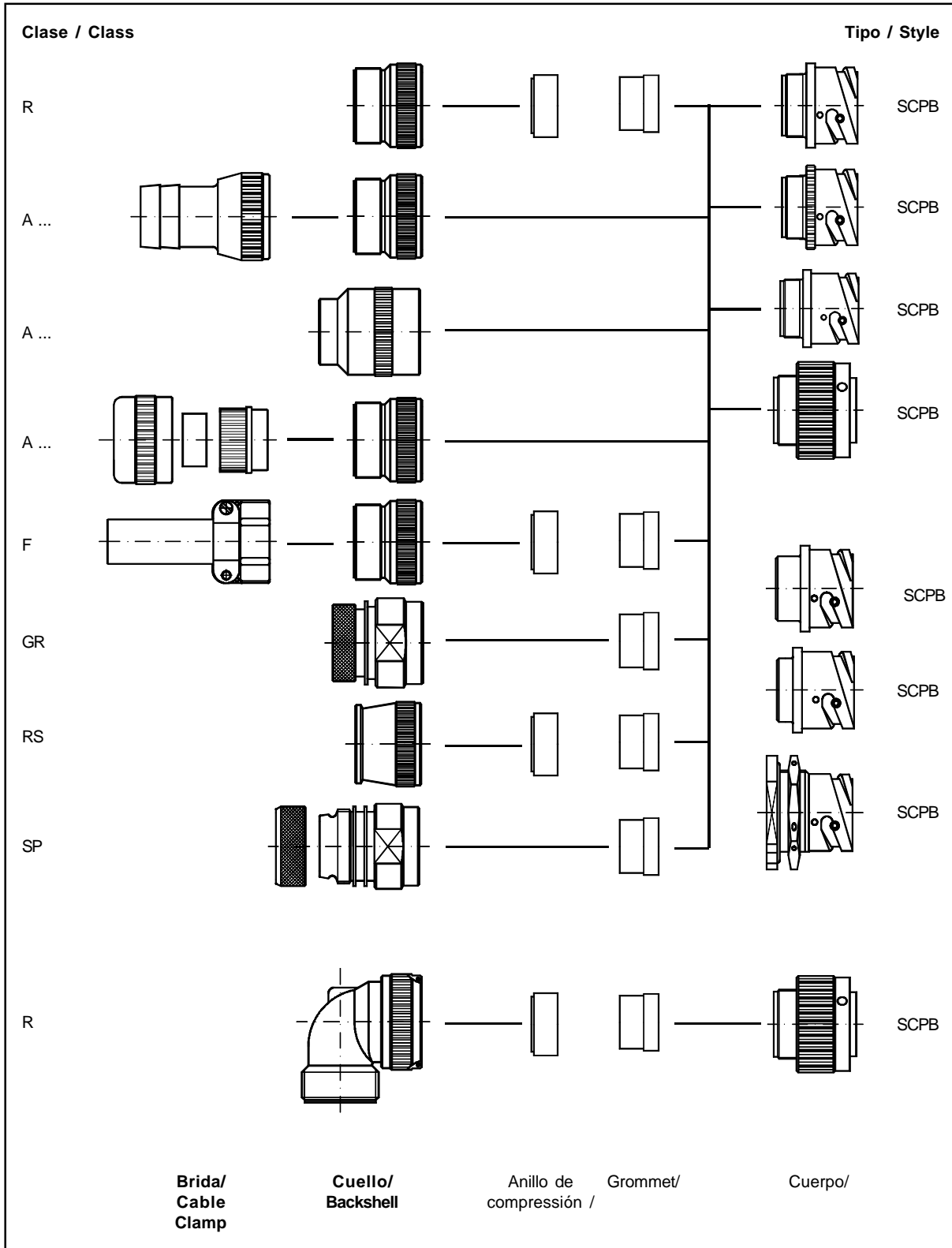


CONECTORES SCPB

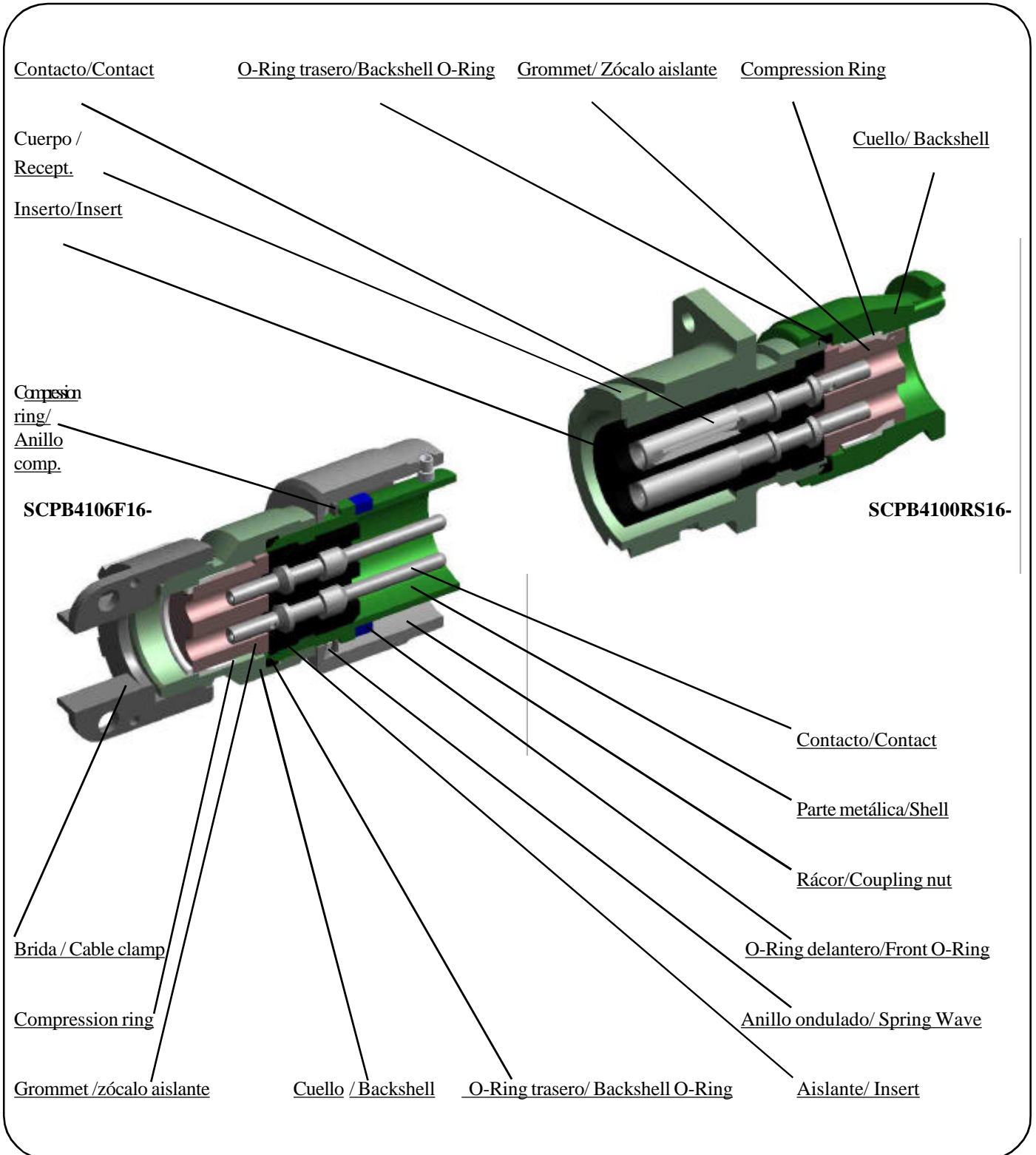
BAYONETA

SCPb connectors - Styles & classes

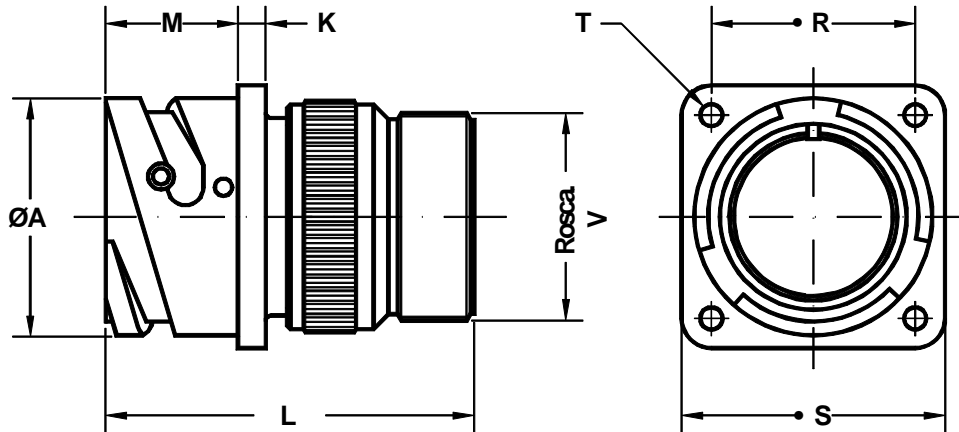
Conectores SCPb - Tipos y clases



Ejemplo de composición SCPB SCPB Example of assembled components



Conector para panel
Wall mounting receptacle



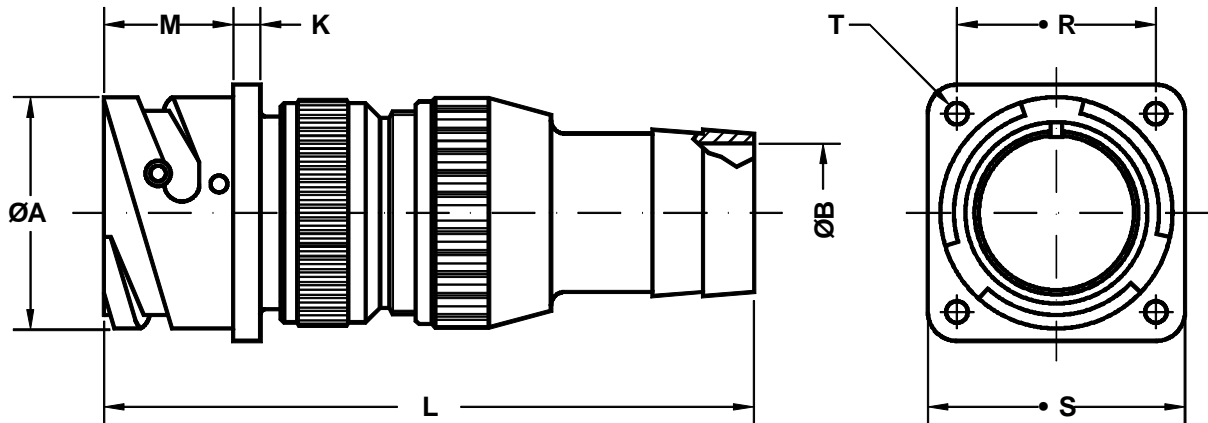
Ej./Ex.: SCPB3100A20-27P

Dimensiones del conector Shell size	ØA +0 -0.1	K ±0.2	L Max.	M +0.2 -0	R ±0.1	S +0.2	ØT +0.1 -0	Rosca V (pol.) V thread (inch.)
10 S L	18.2	2.8	44.0	14.3	18.25	25.4	3.2	0.6250 - 24UNEF
14 S	24.5	3.3	46.4	14.5	23.00	30.4	3.2	0.7500 - 20UNEF
16 S	27.2	3.3	46.4	14.5	24.60	32.5	3.2	0.8750 - 20UNEF
16	27.2	3.3	57.8	19.1	24.60	32.5	3.2	0.8750 - 20UNEF
18	30.7	4.0	57.8	19.1	27.00	35.0	3.2	1.0000 - 20UNEF
20	34.0	4.0	58.1	19.1	29.40	38.0	3.2	1.1875 - 18UNEF
22	37.3	4.0	58.1	19.6	31.75	41.0	3.2	1.1875 - 18UNEF
24	40.9	4.0	59.7	20.6	34.90	44.5	3.7	1.4375 - 18UNEF
28	46.7	4.0	66.2	20.7	39.70	50.9	3.7	1.4375 - 18UNEF
32	53.4	4.0	71.3	22.3	44.45	57.0	4.3	1.7500 - 18UNS
36	59.6	4.0	76.8	22.3	49.20	63.5	4.3	2.0000 - 18UNS
40	65.5	4.0	76.8	22.3	55.55	69.9	4.3	2.2500 - 16UN

Conector de base cuadrada para panel.
 Incluye adaptador con mecanizado posterior
 para abrazadera de cable MS3057 - XX A/B/C.
 Zócalo estanco no incluido.
 La versión R incluye zócalo estanco (grommet).

Wall mounting receptacle.
 Includes backshell for cable clamp
 SCPB3057-XX A/B/C.
 No grommet supplied.
 R version includes grommet.

Conector para panel
Wall mounting connector



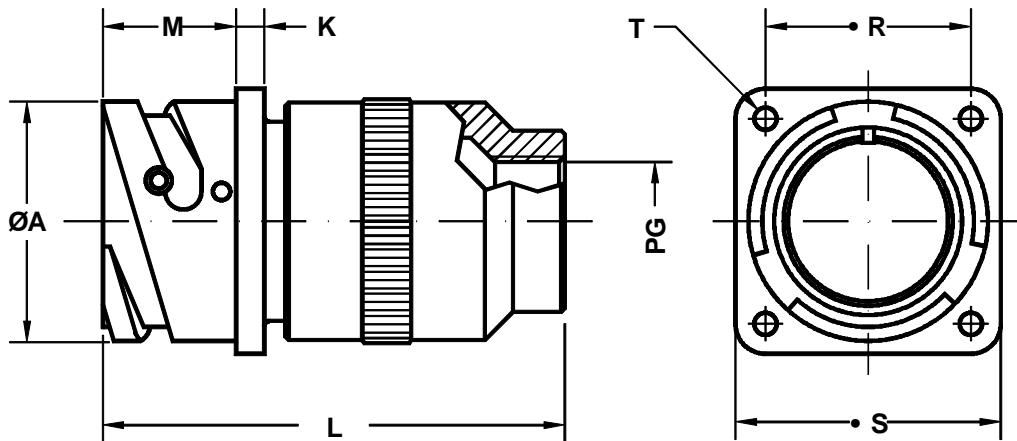
Ej. / Ex. : SCPB3100A20-27PBR2722

Dimensiones del conector Shell size	ØA 0 -0.1	ØB ±0.1	K ±0.2	L Max.	M +0.2 0	R ±0.1	S +0.2	ØT +0.1 0
10 SL	18.2	Ver tabla página 88 See the table on page 88	2.8	90.0	14.3	18.25	25.4	3.2
14 S	24.5		3.3	91.5	14.5	23.00	30.4	3.2
16 S	27.2		3.3	91.5	14.5	24.60	32.5	3.2
16	27.2		3.3	103.0	19.1	24.60	32.5	3.2
18	30.7		4.0	103.0	19.1	27.00	35.0	3.2
20	34.0		4.0	103.0	19.1	29.40	38.0	3.2
22	37.3		4.0	103.0	19.6	31.75	41.0	3.2
24	40.9		4.0	104.5	20.6	34.90	44.5	3.7
28	46.7		4.0	111.0	20.7	39.70	50.9	3.7
32	53.4		4.0	116.5	22.3	44.45	57.0	4.3
36	59.6		4.0	122.0	22.3	49.20	63.5	4.3
40	65.5		4.0	122.0	22.3	55.55	69.9	4.3

Conector de base cuadrada para panel.
Incluye adaptador y terminal para tubo de goma UNI4883.
Zócalo estanco (grommet) no incluido.

Wall mounting receptacle.
Includes backshell and termination for UNI4883 rubber conduits.
No grommet supplied.

Conector para panel Wall mounting receptacle



Ej./ Ex. : SCPB3100A20-27PPG16

Dimensiones del conector Shell size	ØA +0 -0.1	K ±0.2	L Max.	M +0.2 -0	Rosca PG (pol.) PG thread (inch.)	R ±0.1	S +0.2	ØT +0.1 -0
10 SL	18.2	2.8	50.0	14.3	7 / 9 / 11	18.25	25.4	3.2
14 S	24.5	3.3	52.5	14.5	11 / 13.5	23.00	30.4	3.2
16 S	27.2	3.3	52.5	14.5	9 / 11 / 16	24.60	32.5	3.2
16	27.2	3.3	61.0	19.1	9 / 11 / 16	24.60	32.5	3.2
18	30.7	4.0	66.5	19.1	9 / 11 / 16 / 21	27.00	35.0	3.2
20	34.0	4.0	69.5	19.1	11 / 16 / 21	29.40	38.0	3.2
22	37.3	4.0	69.5	19.6	13.5 / 16 / 21	31.75	41.0	3.2
24	40.9	4.0	71.5	20.6	13.5 / 16 / 21 / 29	34.90	44.5	3.7
28	46.7	4.0	76.5	20.7	16 / 21 / 29	39.70	50.9	3.7
32	53.4	4.0	82.5	22.3	21 / 29	44.45	57.0	4.3
36	59.6	4.0	87.5	22.3	21 / 29 / 36	49.20	63.5	4.3
40	65.5	4.0	92.5	22.3	29 / 36	55.55	69.9	4.3

Conector de base cuadrada para panel con adaptador para acoplar prensaestopas PG (no incluido).

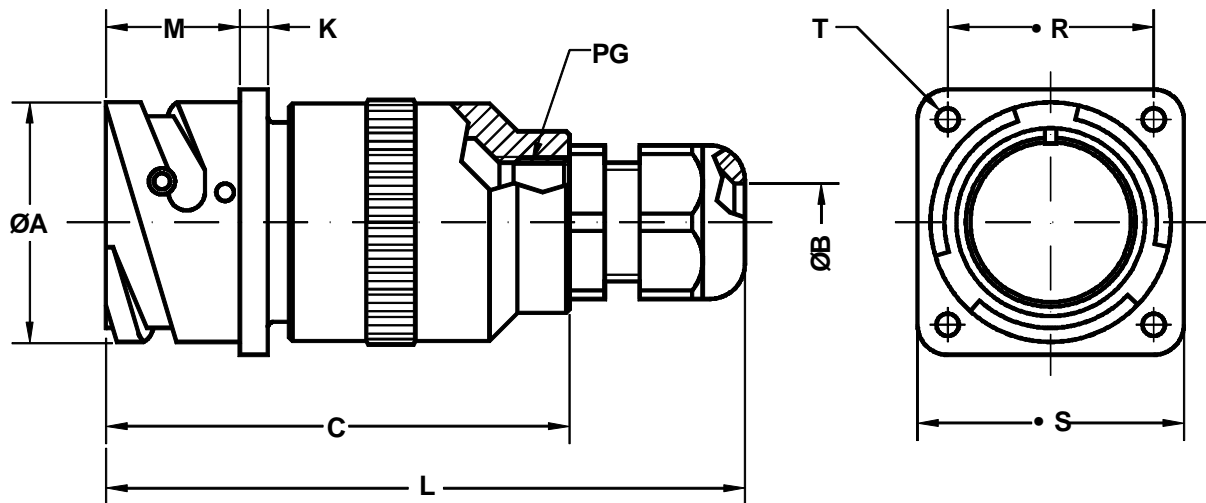
Otros tipos de adaptadores PG, para diferentes tipos de conexión están disponibles, bajo pedido.

Zócalo estanco (grommet) no incluido.

Wall mounting receptacle for use with PG cable glands (not included). Other types of PG adaptors can be supplied in various sizes upon request.

No grommet supplied.

Conector para panel Wall mounting connector



Ej./ Ex. : SCPB3100A20-27PPH16

Dimensiones del conector Shell size	ØA +0 -0.1	ØB min. ÷ Max.	C Max.	K ±0.2	L Max.	M +0.2 -0	Rosca PG (pol. / inch.) PG thread	R ±0.1	S +0.2	ØT +0.1 -0
10 SL	18.2	3÷6.5 / 4÷8 / 5÷10	50.0	2.8	76.0	14.3	7 / 9 / 11	18.25	25.4	3.2
14 S	24.5	5÷10 / 6÷12	52.5	3.3	81.5	14.5	11 / 13.5	23.00	30.4	3.2
16 S	27.2	4÷8 / 5÷10 / 9÷14	52.5	3.3	83.5	14.5	9 / 11 / 16	24.60	32.5	3.2
16	27.2	4÷8 / 5÷10 / 9÷14	61.0	3.3	92.0	19.1	9 / 11 / 16	24.60	32.5	3.2
18	30.7	4÷8 / 5÷10 / 9÷14 / 13÷18	66.5	4.0	101.5	19.1	9 / 11 / 16 / 21	27.00	35.0	3.2
20	34.0	5÷10 / 9÷14 / 13÷18	69.5	4.0	104.5	19.1	11 / 16 / 21	29.40	38.0	3.2
22	37.3	6÷12 / 9÷14 / 13÷18	69.5	4.0	104.5	19.6	13.5 / 16 / 21	31.75	41.0	3.2
24	40.9	6÷12 / 9÷14 / 13÷18 / 15÷25	71.5	4.0	110.5	20.6	13.5 / 16 / 21 / 29	34.90	44.5	3.7
28	46.7	9÷14 / 13÷18 / 15÷25	76.5	4.0	115.5	20.7	16 / 21 / 29	39.70	50.9	3.7
32	53.4	13÷18 / 15÷25	82.5	4.0	121.5	22.3	21 / 29	44.45	57.0	4.3
36	59.6	13÷18 / 15÷25 / 20÷32	87.5	4.0	136.5	22.3	21 / 29 / 36	49.20	63.5	4.3
40	65.5	15÷25 / 20÷32	92.5	4.0	141.5	22.3	29 / 36	55.55	69.9	4.3

Conector de base cuadrada para panel con adaptador PG y prensaestopas PG de plástico incluido.

Otros tipos de adaptadores PG, para diferentes tipos de conexión están disponibles, bajo pedido.

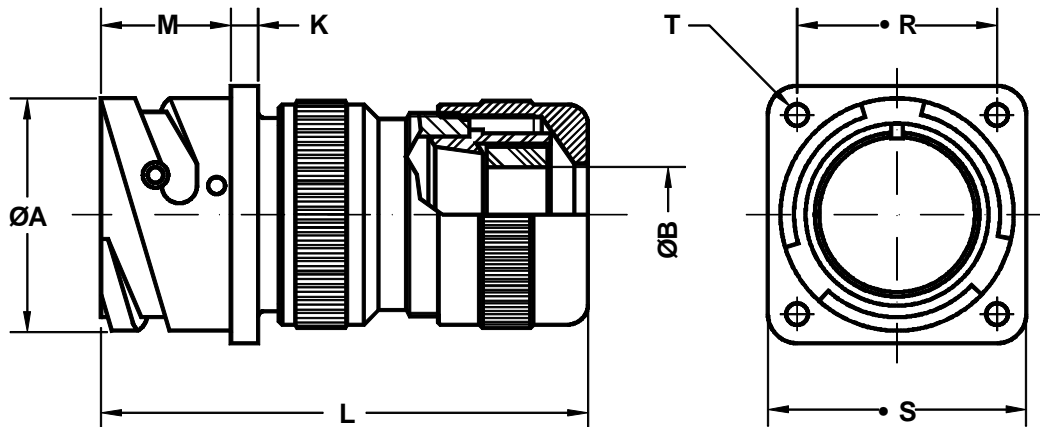
Zócalo estanco (grommet) no incluido.

Wall mounting receptacle with adaptor and plastic PG cable gland.

Other types of PG adaptors can be supplied in various sizes upon request.

No grommet supplied.

Conector para panel Wall mounting receptacle



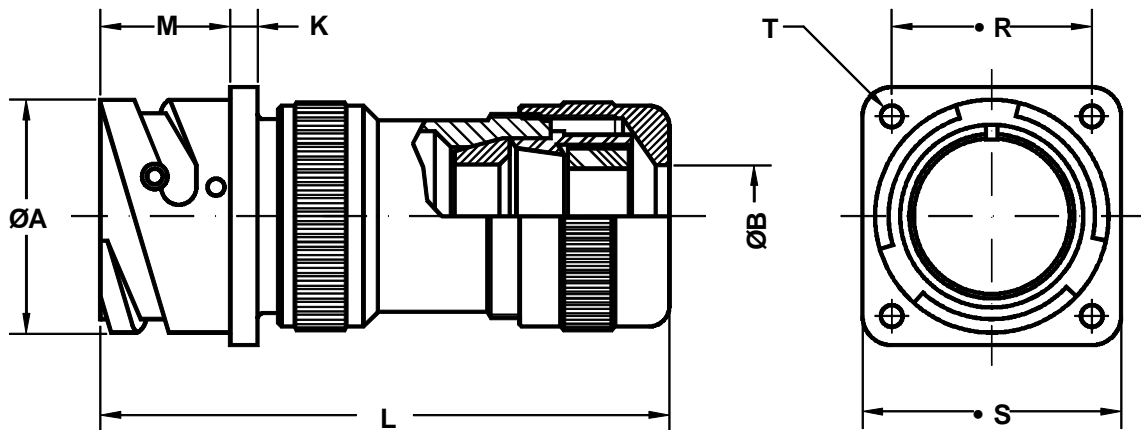
Ej. / Ex. : SCPB3100A20-27PPHM11

Dimensiones del conector Shell size	P.N. PHM	ØA +0 -0.1	ØB min. ÷ Max.	K ±0.2	L Max.	M +0.2 -0	R ±0.1	S +0.2	ØT +0.1 -0
10 SL	11	18.2	2÷11	2.8	60	14.3	18.25	25.4	3.2
14 S	11	24.5	2÷11	3.3	60	14.5	23.00	30.4	3.2
16 S	11	27.2	2÷11	3.3	60	14.5	24.60	32.5	3.2
16	11	27.2	2÷11	3.3	70	19.1	24.60	32.5	3.2
18	11 / 18	30.7	2÷11 / 2÷16.5	4.0	70	19.1	27.00	35.0	3.2
20	11 / 18	34.0	2÷11 / 2÷16.5	4.0	70	19.1	29.40	38.0	3.2
22	18	37.3	2÷16.5	4.0	70	19.6	31.75	41.0	3.2
24	18 / 22 / 24	40.9	2÷16.5 / 15÷20 / 19÷24	4.0	80	20.6	34.90	44.5	3.7
28	18 / 22 / 24	46.7	2÷16.5 / 15÷20 / 19÷24	4.0	80	20.7	39.70	50.9	3.7
32	22 / 24	53.4	15÷20 / 19÷24	4.0	80	22.3	44.45	57.0	4.3
36	35	59.6	23÷35	4.0	95	22.3	49.20	63.5	4.3
40	35	65.5	23÷35	4.0	95	22.3	55.55	69.9	4.3

Conector de base cuadrada para panel.
 Incluye adaptador PHM que asegura una
 buena sujeción mecánica del cable y
 garantiza la mejor estanqueidad si se usan los
 manguitos de neopreno adecuados.
 Zócalo estanco (grommet) no incluido.

Wall mounting receptacle.
 Includes a PHM cable clamp that assures an
 excellent mechanical and waterproof seal if
 used with the correct neoprene sealing
 sleeves.
 No grommet supplied.

Conector para panel Wall mounting connector



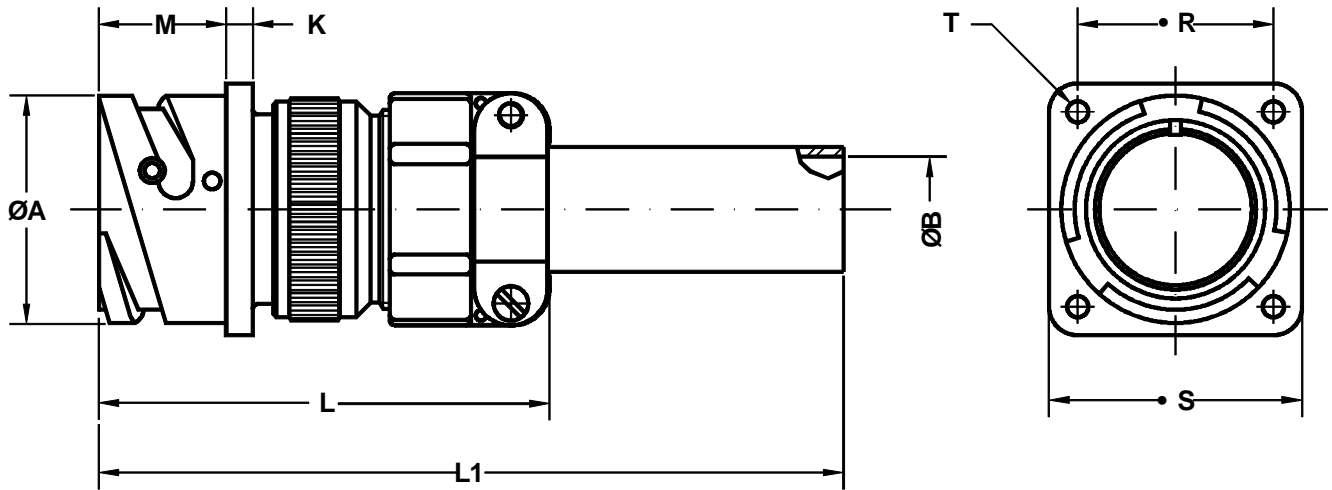
Ej./Ex.: SCPB3100A20-27PPHM11EMI

Dimensiones del conector Shell size	P.N. PHM	Ø A +0 -0.1	Ø B min. ÷ Max.	K ±0.2	L Max.	M +0.2 -0	R ±0.1	S +0.2	Ø T +0.1 -0
10 S L	11	18.2	2÷11	2.8	70	14.3	18.25	25.4	3.2
14 S	11	24.5	2÷11	3.3	70	14.5	23.00	30.4	3.2
16 S	11	27.2	2÷11	3.3	70	14.5	24.60	32.5	3.2
16	11	27.2	2÷11	3.3	80	19.1	24.60	32.5	3.2
18	11 / 18	30.7	2÷11 / 2÷16.5	4.0	80	19.1	27.00	35.0	3.2
20	11 / 18	34.0	2÷11 / 2÷16.5	4.0	80	19.1	29.40	38.0	3.2
22	18	37.3	2÷16.5	4.0	80	19.6	31.75	41.0	3.2
24	18 / 22 / 24	40.9	2÷16.5 / 15÷20 / 19÷24	4.0	90	20.6	34.90	44.5	3.7
28	18 / 22 / 24	46.7	2÷16.5 / 15÷20 / 19÷24	4.0	90	20.7	39.70	50.9	3.7
32	22 / 24	53.4	15÷20 / 19÷24	4.0	90	22.3	44.45	57.0	4.3
36	35	59.6	23÷35	4.0	105	22.3	49.20	63.5	4.3
40	35	65.5	23÷35	4.0	105	22.3	55.55	69.9	4.3

Conector de base cuadrada para panel con adaptador PHM.
La salida PHM asegura una buena sujeción mecánica para cables multipolares apantallados y garantiza la mejor estanqueidad empleando los manguitos de neopreno adecuados.
Zócalo estanco (grommet) no incluido.

Wall mounting receptacle.
Includes a PHM cable clamp that assures an excellent mechanical and waterproof seal with multipolar shielded cables if used with the correct neoprene sealing sleeves.
No grommet supplied.

Conector para panel
Wall mounting receptacle



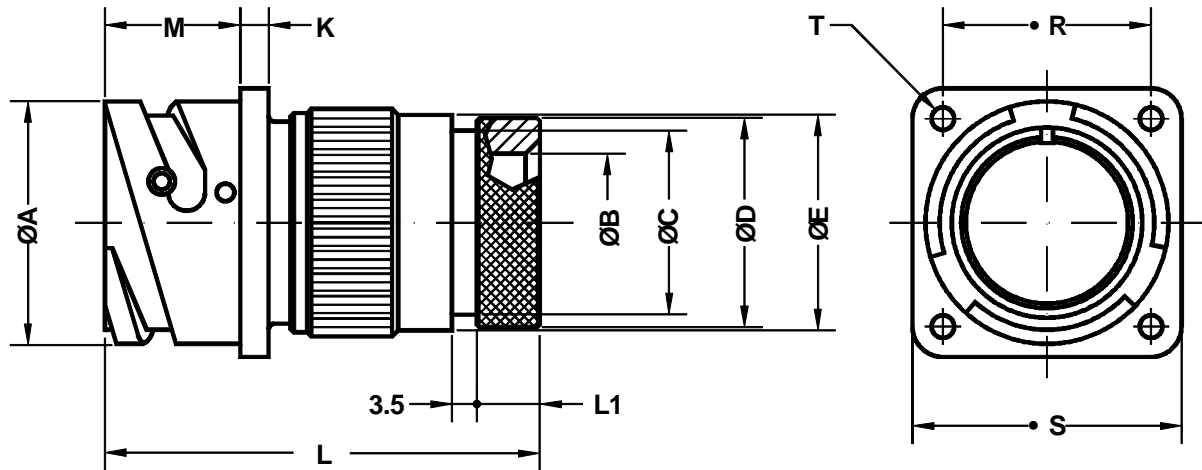
Ej. / Ex. : SCPB3100F20-27P

Dimensiones del conector Shell size	ØA +0 -0.1	ØB ±0.1	K ±0.2	L Max.	L1 Max.	M +0.2 -0	R ±0.1	S +0.2	ØT +0.1 -0
10 SL	18.2	5.58	2.8	55.0	125	14.3	18.25	25.4	3.2
14 S	24.5	7.92	3.3	58.4	125	14.5	23.00	30.4	3.2
16 S	27.2	11.09	3.3	60.4	125	14.5	24.60	32.5	3.2
16	27.2	11.09	3.3	71.8	135	19.1	24.60	32.5	3.2
18	30.7	14.27	4.0	77.8	140	19.1	27.00	35.0	3.2
20	34.0	15.87	4.0	74.0	130	19.1	29.40	38.0	3.2
22	37.3	15.87	4.0	74.0	130	19.6	31.75	41.0	3.2
24	40.9	19.05	4.0	76.7	130	20.6	34.90	44.5	3.7
28	46.7	19.05	4.0	83.2	135	20.7	39.70	50.9	3.7
32	53.4	23.79	4.0	90.3	140	22.3	44.45	57.0	4.3
36	59.6	31.75	4.0	96.8	145	22.3	49.20	63.5	4.3
40	65.5	34.92	4.0	115.8	160	22.3	55.55	69.9	4.3

Conector de base cuadrada para panel.
Incluye zócalo estanco (grommet), adaptador
con mecanizado posterior, brida tipo A
(MS3057) para cable y manguito reductor de
neopreno.

Wall mounting receptacle.
Includes insulating grommet, backshell, class
A cable clamp MS3057 and neoprene sleeve.

Conector para panel
Wall mounting connector



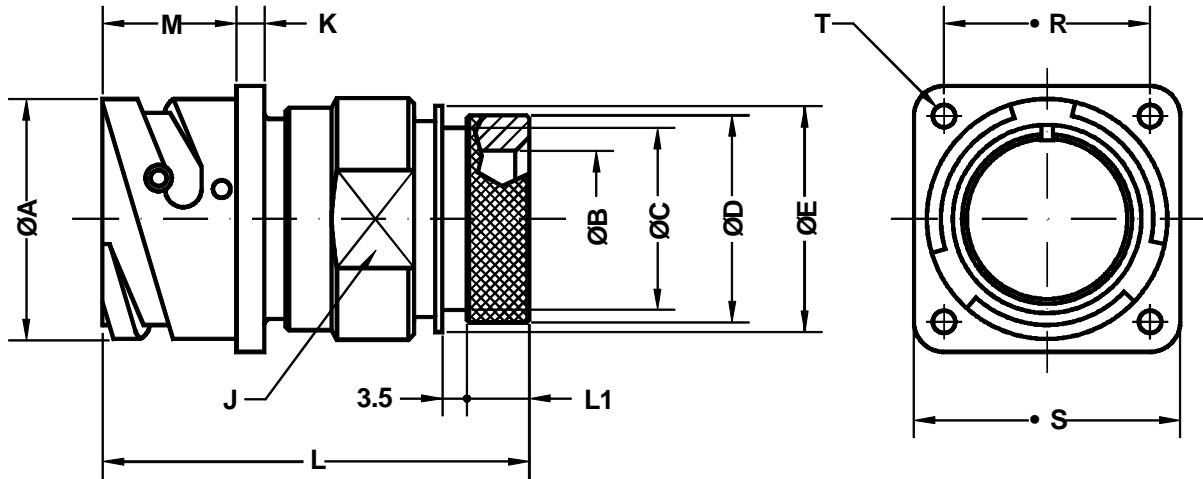
Ej./ Ex. : SCPB3100G20-27P

Dimensiones del conector Shell size	ØA +0 -0.1	ØB min.	ØC ±0.1	ØD ±0.2	ØE ±0.2	K ±0.2	L Max.	L1 Max.	M +0.2 -0	R ±0.1	S +0.2	ØT +0.1 -0
10 SL	18.2	8.5	13.0	15.5	17.0	2.8	52.7	8.2	14.3	18.25	25.4	3.2
14 S	24.5	12.0	16.5	19.1	20.1	3.3	53.4	8.2	14.5	23.00	30.4	3.2
16 S	27.2	14.5	21.5	23.9	23.5	3.3	53.4	8.2	14.5	24.60	32.5	3.2
16	27.2	14.5	21.5	23.9	23.5	3.3	65.8	8.0	19.1	24.60	32.5	3.2
18	30.7	17.5	21.7	23.9	26.5	4.0	65.8	8.0	19.1	27.00	35.0	3.2
20	34.0	19.5	26.0	29.6	30.5	4.0	66.1	8.9	19.1	29.40	38.0	3.2
22	37.3	22.0	26.0	29.6	33.6	4.0	66.1	8.9	19.6	31.75	41.0	3.2
24	40.9	25.0	34.5	37.8	36.1	4.0	65.7	9.2	20.6	34.90	44.5	3.7
28	46.7	29.0	34.5	37.8	41.4	4.0	66.2	9.2	20.7	39.70	50.9	3.7
32	53.4	34.0	43.6	47.8	48.6	4.0	73.8	11.7	22.3	44.45	57.0	4.3
36	59.6	38.5	43.6	47.8	54.8	4.0	83.8	11.7	22.3	49.20	63.5	4.3
40	65.5	48.0	52.6	57.8	60.9	4.0	83.8	11.7	22.3	55.55	69.9	4.3

Conector de base cuadrada para panel.
Incluye zócalo estanco (grommet) y adaptador
para bota termorretráctil.

Wall mounting receptacle.
Includes wire sealing grommet and backshell
for heat shrink tubing.

Conector para panel
Wall mounting receptacle



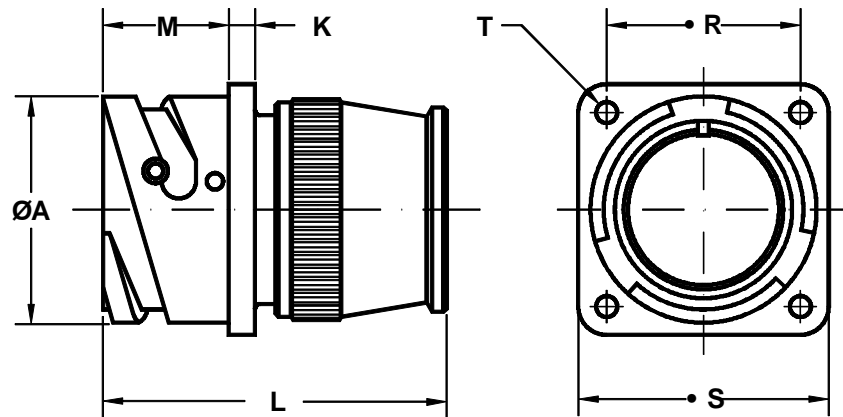
Ej. / Ex. : SCPB3100GR20-27P

Dimensiones del conector Shell size	ØA +0 -0.1	ØB min.	ØC ±0.1	ØD ±0.2	ØE ±0.2	Ch. J J key	K ±0.2	L Max.	L1 Max.	M +0.2 -0	R ±0.1	S +0.2	ØT +0.1 -0
10 SL	18.2	8.5	13.0	15.5	17.0	20	2.8	52.7	8.2	14.3	18.25	25.4	3.2
14 S	24.5	12.0	16.5	19.1	20.1	23	3.3	53.4	8.2	14.5	23.00	30.4	3.2
16 S	27.2	14.5	21.5	23.9	23.5	26	3.3	53.4	8.2	14.5	24.60	32.5	3.2
16	27.2	14.5	21.5	23.9	23.5	26	3.3	65.8	8.0	19.1	24.60	32.5	3.2
18	30.7	17.5	21.7	23.9	26.5	28	4.0	65.8	8.0	19.1	27.00	35.0	3.2
20	34.0	19.5	26.0	29.6	30.5	32	4.0	66.1	8.9	19.1	29.40	38.0	3.2
22	37.3	22.0	26.0	29.6	33.6	36	4.0	66.1	8.9	19.6	31.75	41.0	3.2
24	40.9	25.0	34.5	37.8	36.1	39	4.0	65.7	9.2	20.6	34.90	44.5	3.7
28	46.7	29.0	34.5	37.8	41.4	46	4.0	66.2	9.2	20.7	39.70	50.9	3.7
32	53.4	34.0	43.6	47.8	48.6	52	4.0	73.8	11.7	22.3	44.45	57.0	4.3
36	59.6	38.5	43.6	47.8	54.8	58	4.0	83.8	11.7	22.3	49.20	63.5	4.3
40	65.5	48.0	52.6	57.8	60.9	65	4.0	83.8	11.7	22.3	55.55	69.9	4.3

Conector de base cuadrada para panel.
Incluye zócalo estanco (grommet) y adaptador
inspeccionable para bota termorretráctil.

Wall mounting receptacle.
Includes wire sealing grommet and backshell
with rotating clamp nut for heat shrink tubing.

Conector para panel
Wall mounting connector



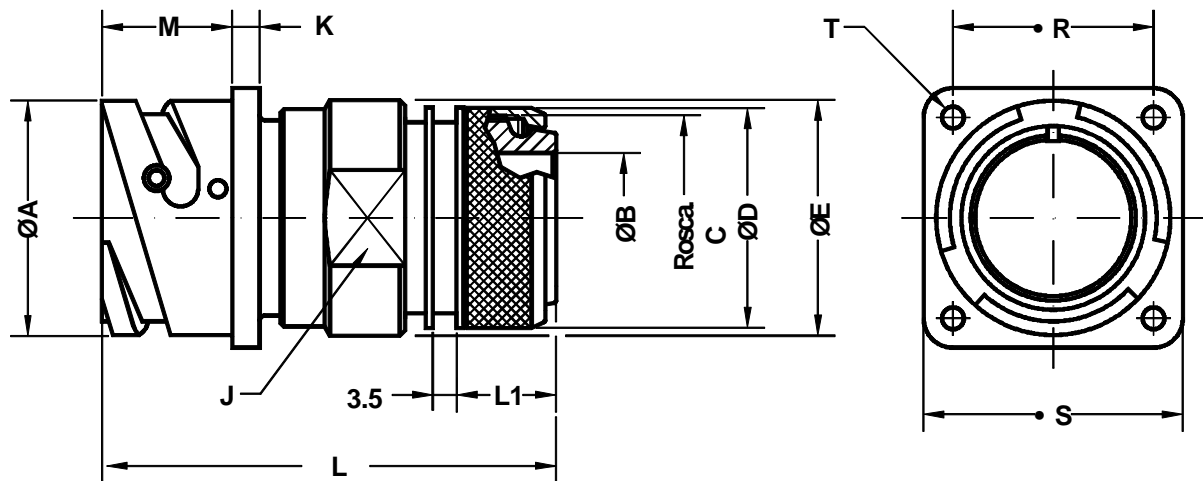
Ej. / Ex. : SCPB3100RS20-27P

Dimensiones del conector Shell size	$\varnothing A$ +0 -0.1	K ± 0.2	L Max.	M +0.2 -0	R ± 0.1	S +0.2	$\varnothing T$ +0.1 -0
10 S L	18.2	2.8	38.0	14.3	18.25	25.4	3.2
14 S	24.5	3.3	47.5	14.5	23.00	30.4	3.2
16 S	27.2	3.3	45.5	14.5	24.60	32.5	3.2
16	27.2	3.3	55.5	19.1	24.60	32.5	3.2
18	30.7	4.0	55.5	19.1	27.00	35.0	3.2
20	34.0	4.0	55.5	19.1	29.40	38.0	3.2
22	37.3	4.0	55.5	19.6	31.75	41.0	3.2
24	40.9	4.0	58.5	20.6	34.90	44.5	3.7
28	46.7	4.0	58.5	20.7	39.70	50.9	3.7
32	53.4	4.0	58.5	22.3	44.45	57.0	4.3
36	59.6	4.0	58.5	22.3	49.20	63.5	4.3
40	65.5	4.0	58.5	22.3	55.55	69.9	4.3

Conector de base cuadrada para panel.
Incluye zócalo estanco (grommet) y cuello
posterior.
Para uso con conductores individuales.

Wall mounting receptacle.
Includes insulating grommet and backshell.
For use with individual wires.

Conector para panel Wall mounting receptacle



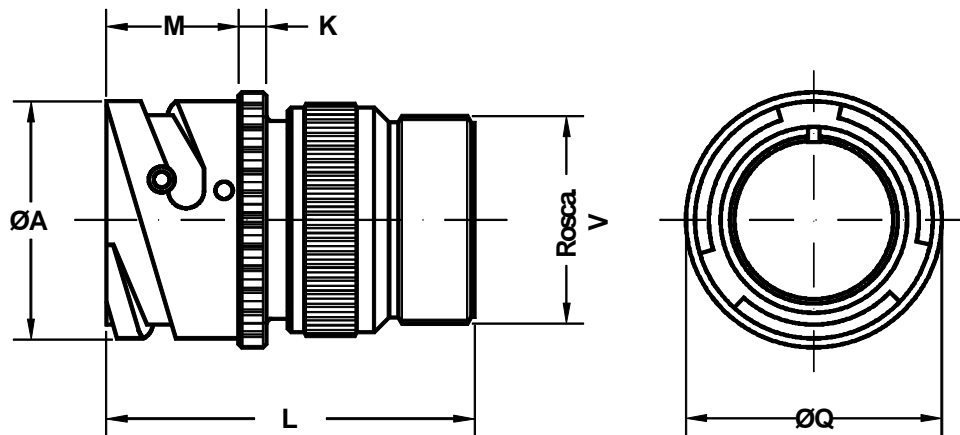
Ej. / Ex. : SCPB3100SP20-27P

Dimensiones de conector Shell size	ØA 0 -0.1	ØB min.	Rosca C C thread	ØD ±0.2	ØE ±0.2	LL. J J key	K ±0.2	L Max.	L1 Max.	M +0.2 0	R ±0.1	S +0.2	ØT +0.1 0
10 SL	18.2	8.5	M16 x 1	18.5	22.0	20	2.8	52.0	13.5	14.3	18.25	25.4	3.2
14 S	24.5	12.0	M20 x 1	22.3	25.0	23	3.3	52.0	13.5	14.5	23.00	30.4	3.2
16 S	27.2	14.5	M23 x 1	25.3	28.0	26	3.3	54.0	14.6	14.5	24.60	32.5	3.2
16	27.2	14.5	M23 x 1	25.3	28.0	26	3.3	63.0	14.6	19.1	24.60	32.5	3.2
18	30.7	17.5	M26 x 1	28.0	30.0	28	4.0	64.5	14.6	19.1	27.00	35.0	3.2
20	34.0	19.5	M30 x 1	32.3	34.5	32	4.0	64.5	14.6	19.1	29.40	38.0	3.2
22	37.3	22.0	M32 x 1	34.3	38.0	36	4.0	64.5	14.6	19.6	31.75	41.0	3.2
24	40.9	25.0	M36 x 1	38.3	41.0	39	4.0	66.0	14.6	20.6	34.90	44.5	3.7
28	46.7	29.0	M39 x 1	41.2	48.0	46	4.0	66.0	14.6	20.7	39.70	50.9	3.7
32	53.4	34.0	M45 x 1	48.3	54.0	52	4.0	67.5	14.6	22.3	44.45	57.0	4.3
36	59.6	38.5	M52 x 1	55.0	61.0	58	4.0	68.0	15.5	22.3	49.20	63.5	4.3
40	65.5	48.0	M59 x 1	62.0	68.0	65	4.0	68.0	15.5	22.3	55.55	69.9	4.3

Conector de base cuadrada para panel.
Incluye zócalo estanco (grommet) y adaptador
inspeccionable para terminación de pantalla y
bota termorretráctil.

Wall mounting receptacle.
Includes wire sealing grommet and backshell
with rotating clamp nut.
Shielded cable is terminated with a "braid
trap" nut and heat shrink tubing (optional).

Conector recto para prolongación aérea
In-line receptacle



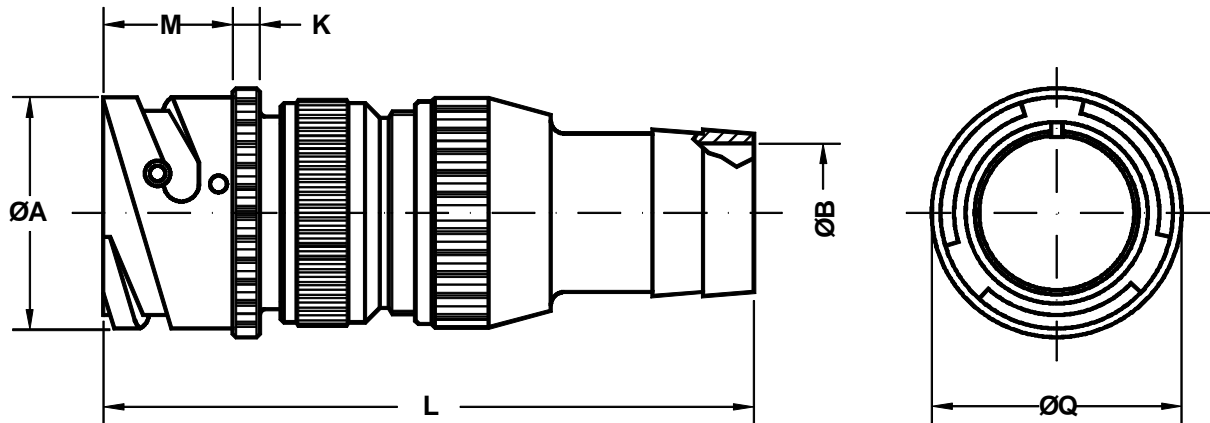
Ej./Ex. : SCPB3101A20-27P

Dimensiones de conector Shell size	ØA +0 -0.1	K ±0.2	L Max.	M +0.2 -0	ØQ ±0.1	Rosca V en (pol.) V thread (inch.)
10 S L	18.2	2.8	44.0	14.3	21.8	0.6250 - 24UNEF
14 S	24.5	3.3	46.4	14.5	28.8	0.7500 - 20UNEF
16 S	27.2	3.3	46.4	14.5	30.5	0.8750 - 20UNEF
16	27.2	3.3	57.8	19.1	30.5	0.8750 - 20UNEF
18	30.7	4.0	57.8	19.1	33.8	1.0000 - 20UNEF
20	34.0	4.0	58.1	19.1	36.9	1.1875 - 18UNEF
22	37.3	4.0	58.1	19.6	39.5	1.1875 - 18UNEF
24	40.9	4.0	59.7	20.6	43.9	1.4375 - 18UNEF
28	46.7	4.0	66.2	20.7	48.4	1.4375 - 18UNEF
32	53.4	4.0	71.3	22.3	56.0	1.7500 - 18UNS
36	59.6	4.0	76.8	22.3	62.4	2.0000 - 18UNS
40	65.5	4.0	76.8	22.3	68.6	2.2500 - 16UN

Conector recto para prolongación aérea. Incluye adaptador con mecanizado posterior para brida MS3057 - XX A/B/C
En la versión clase R se incluye zócalo estanco (grommet).

In-line receptacle.
Includes backshell for cable clamp MS3057-XX A/B/C.
The R class includes insulating grommet.

Conector recto para prolongación aérea In-line receptacle



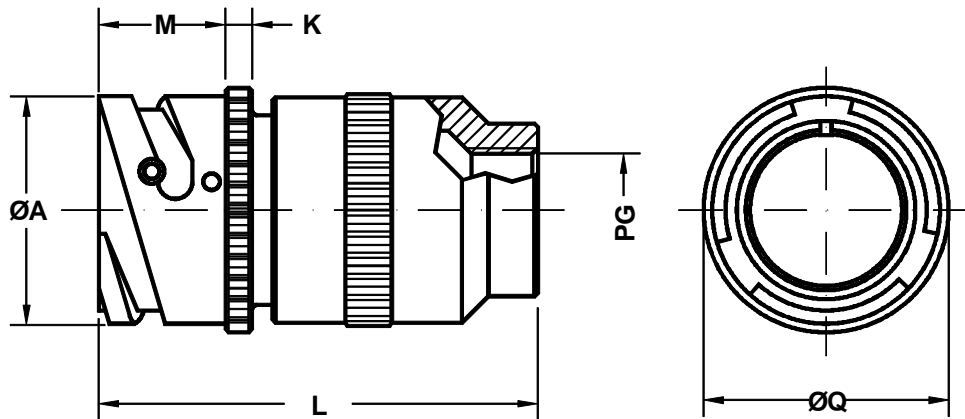
Ej. / Ex. : SCPB3101A20-27PBR2722

Dimensiones de conector Shell size	ØA +0 -0.1	ØB ±0.1	K ±0.2	L Max.	M +0.2 -0	ØQ ±0.1
10 SL	18.2	Vedi tabella a pagina 88 See the table on page 88	2.8	90.0	14.3	21.8
14 S	24.5		3.3	91.5	14.5	28.8
16 S	27.2		3.3	91.5	14.5	30.5
16	27.2		3.3	103.0	19.1	30.5
18	30.7		4.0	103.0	19.1	33.8
20	34.0		4.0	103.0	19.1	36.9
22	37.3		4.0	103.0	19.6	39.5
24	40.9		4.0	104.5	20.6	43.9
28	46.7		4.0	111.0	20.7	48.4
32	53.4		4.0	116.5	22.3	56.0
36	59.6		4.0	122.0	22.3	62.4
40	65.5		4.0	122.0	22.3	68.6

Conector recto para prolongación aérea.
Incluye adaptador y terminación para tubo de
goma UNI4883.
Zócalo estanco (grommet) no incluido.

In-line receptacle.
Includes backshell and termination for
UNI4883 rubber conduits.
No grommet supplied.

Conector recto para prolongación aérea In-line receptacle



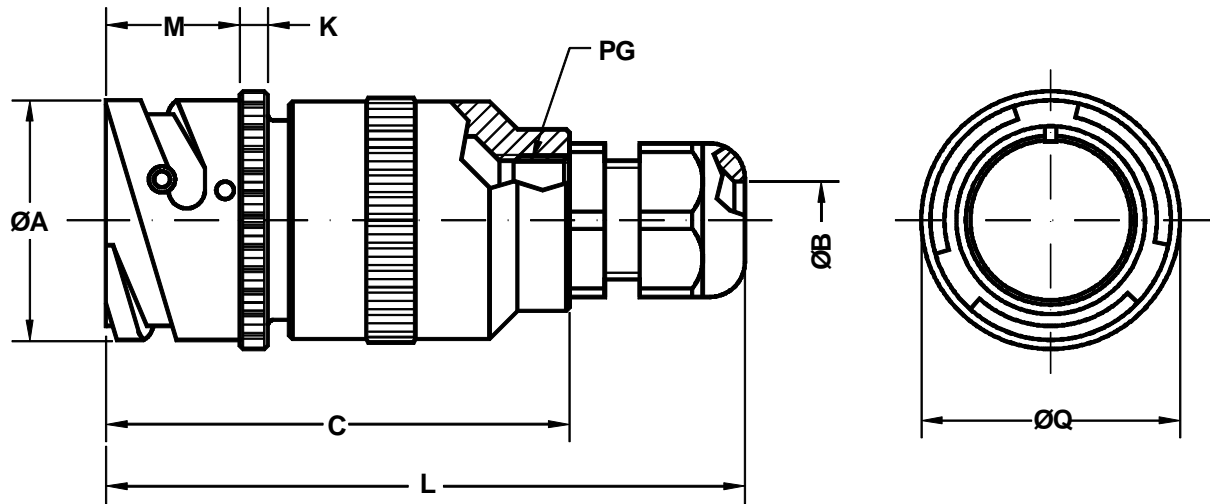
Ej. / Ex. : SCPB3101A20-27PPG16

Dimensiones del conector Shell size	ØA +0 -0.1	K ±0.2	L Max.	M +0.2 -0	Rosca PG (pol.) PG thread (inch)	ØQ ±0.1
10 S L	18.2	2.8	50.0	14.3	7 / 9 / 11	21.8
14 S	24.5	3.3	52.5	14.5	11 / 13.5	28.8
16 S	27.2	3.3	52.5	14.5	9 / 11 / 16	30.5
16	27.2	3.3	61.0	19.1	9 / 11 / 16	30.5
18	30.7	4.0	66.5	19.1	9 / 11 / 16 / 21	33.8
20	34.0	4.0	69.5	19.1	11 / 16 / 21	36.9
22	37.3	4.0	69.5	19.6	13.5 / 16 / 21	39.5
24	40.9	4.0	71.5	20.6	13.5 / 16 / 21 / 29	43.9
28	46.7	4.0	76.5	20.7	16 / 21 / 29	48.4
32	53.4	4.0	82.5	22.3	21 / 29	56.0
36	59.6	4.0	87.5	22.3	21 / 29 / 36	62.4
40	65.5	4.0	92.5	22.3	29 / 36	68.6

Conector recto para prolongación aérea con adaptador para acoplar prensaestopas PG (no incluido).
Otros tipos de adaptadores PG, para diferentes tamaños están disponibles, bajo pedido.
Zócalo estanco (grommet) no incluido.

In-line receptacle for use with PG cable glands (not included).
Other types of PG adaptors can be supplied in various sizes upon request.
No grommet supplied.

Conector recto para prolongación aérea In-line receptacle



Ej./ Ex. : SCPB3101A20-27PPH16

Dimensiones del conector Shell size	ØA +0 -0.1	ØB min. ÷ Max.	C Max.	K ±0.2	L Max.	M +0.2 -0	Rosca PG (pol.) PG thread (inch.)	Q ±0.1
10 SL	18.2	3÷6.5 / 4÷8 / 5÷10	50.0	2.8	76.0	14.3	7 / 9 / 11	21.8
14 S	24.5	5÷10 / 6÷12	52.5	3.3	81.5	14.5	11 / 13.5	28.8
16 S	27.2	4÷8 / 5÷10 / 9÷14	52.5	3.3	83.5	14.5	9 / 11 / 16	30.5
16	27.2	4÷8 / 5÷10 / 9÷14	61.0	3.3	92.0	19.1	9 / 11 / 16	30.5
18	30.7	4÷8 / 5÷10 / 9÷14 / 13÷18	66.5	4.0	101.5	19.1	9 / 11 / 16 / 21	33.8
20	34.0	5÷10 / 9÷14 / 13÷18	69.5	4.0	104.5	19.1	11 / 16 / 21	36.9
22	37.3	6÷12 / 9÷14 / 13÷18	69.5	4.0	104.5	19.6	13.5 / 16 / 21	39.5
24	40.9	6÷12 / 9÷14 / 13÷18 / 15÷25	71.5	4.0	110.5	20.6	13.5 / 16 / 21 / 29	43.9
28	46.7	9÷14 / 13÷18 / 15÷25	76.5	4.0	115.5	20.7	16 / 21 / 29	48.4
32	53.4	13÷18 / 15÷25	82.5	4.0	121.5	22.3	21 / 29	56.0
36	59.6	13÷18 / 15÷25 / 20÷32	87.5	4.0	136.5	22.3	21 / 29 / 36	62.4
40	65.5	15÷25 / 20÷32	92.5	4.0	141.5	22.3	29 / 36	68.6

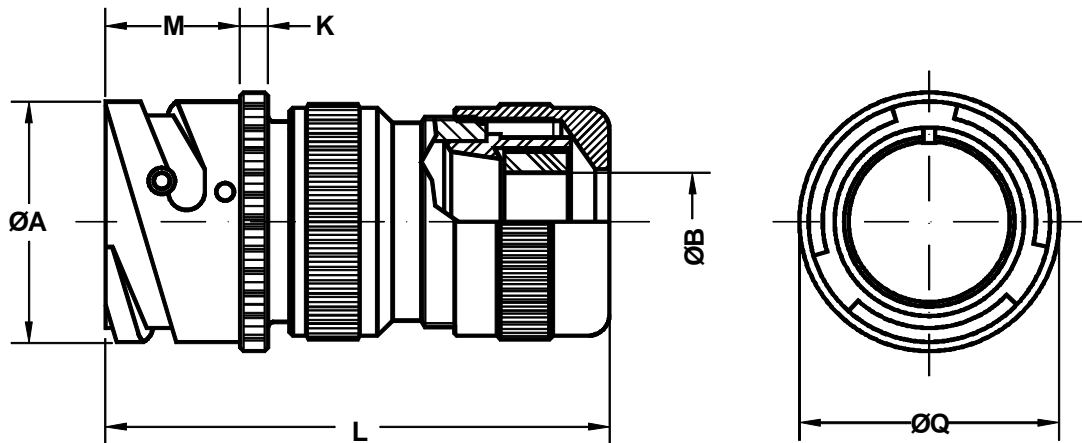
Conector recto para prolongación aérea con adaptador para acoplar prensaestopas PG (éste incluido).

Otros tipos de adaptadores PG, para diferentes tamaños están disponibles, bajo pedido.
Zócalo estanco (grommet) no incluido.

In-line receptacle with backshell and PG cable gland.

Other types of PG adaptors can be supplied in various sizes upon request.
No grommet supplied.

Conector recto para prolongación aérea In-line receptacle



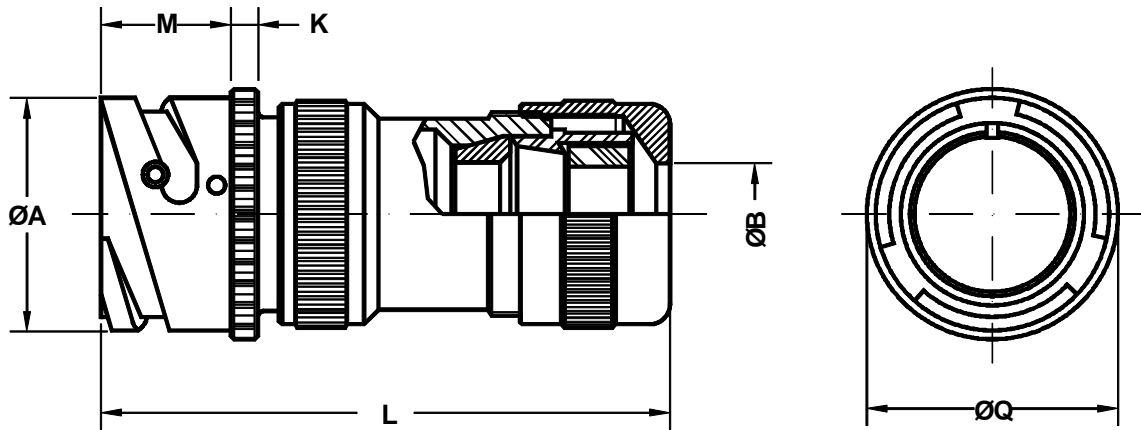
Ej. / Ex. : SCPB3101A20-27PPHM11

Dimensiones del conector Shell size	P.N. PHM	Ø A +0 -0.1	Ø B min. ÷ Max.	K ±0.2	L Max.	M +0.2 -0	Ø Q ±0.1
10 S L	11	18.2	2÷11	2.8	60	14.3	21.8
14 S	11	24.5	2÷11	3.3	60	14.5	28.8
16 S	11	27.2	2÷11	3.3	60	14.5	30.5
16	11	27.2	2÷11	3.3	70	19.1	30.5
18	11 / 18	30.7	2÷11 / 2÷16.5	4.0	70	19.1	33.8
20	11 / 18	34.0	2÷11 / 2÷16.5	4.0	70	19.1	36.9
22	18	37.3	2÷16.5	4.0	70	19.6	39.5
24	18 / 22 / 24	40.9	2÷16.5 / 15÷20 / 19÷24	4.0	80	20.6	43.9
28	18 / 22 / 24	46.7	2÷16.5 / 15÷20 / 19÷24	4.0	80	20.7	48.4
32	22 / 24	53.4	15÷20 / 19÷24	4.0	80	22.3	56.0
36	35	59.6	23÷35	4.0	95	22.3	62.4
40	35	65.5	23÷35	4.0	95	22.3	68.6

Conector recto para prolongación aérea.
Incluye adaptador PHM que asegura una buena sujeción mecánica del cable y garantiza la mejor estanqueidad si se usan los manguitos de neopreno adecuados.
Zócalo estanco (grommet) no incluido.

In-line receptacle.
Includes a PHM cable clamp that assures an excellent mechanical and waterproof seal if used with the correct neoprene sealing sleeves.
No grommet supplied.

Conector recto para prolongación aérea
In-line receptacle



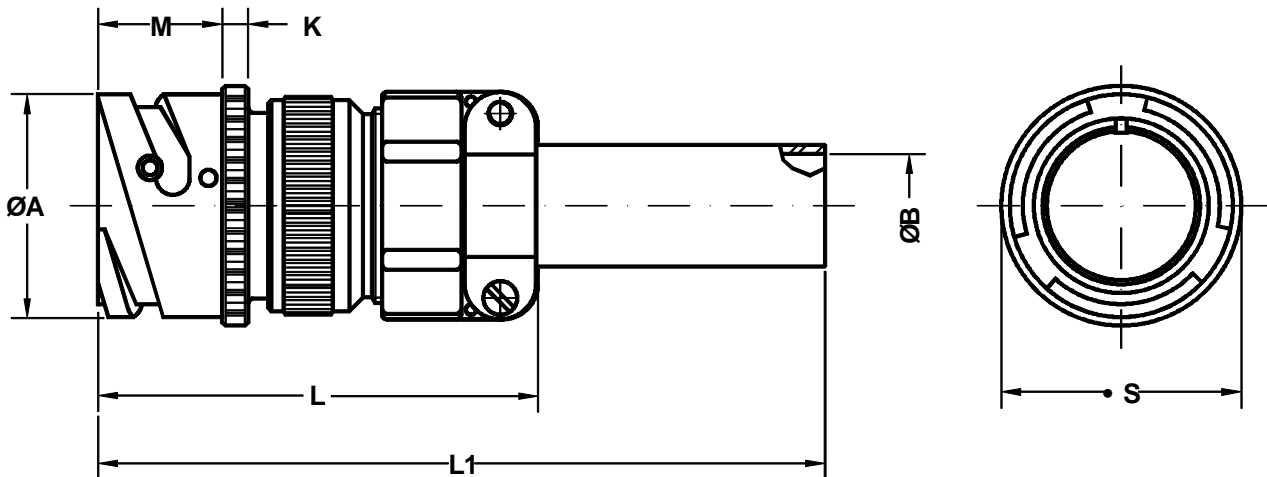
Ej./Ex. : SCPB3101A20-27PPHM11EMI

Dimensiones de conector Shell size	P.N. PHM	Ø A +0 -0.1	Ø B min. ÷ Max.	K ±0.2	L Max.	M +0.2 -0	Ø Q ±0.1
10 S L	11	18.2	2÷11	2.8	70	14.3	21.8
14 S	11	24.5	2÷11	3.3	70	14.5	28.8
16 S	11	27.2	2÷11	3.3	70	14.5	30.5
16	11	27.2	2÷11	3.3	80	19.1	30.5
18	11 / 18	30.7	2÷11 / 2÷16.5	4.0	80	19.1	33.8
20	11 / 18	34.0	2÷11 / 2÷16.5	4.0	80	19.1	36.9
22	18	37.3	2÷16.5	4.0	80	19.6	39.5
24	18 / 22 / 24	40.9	2÷16.5 / 15÷20 / 19÷24	4.0	90	20.6	43.9
28	18 / 22 / 24	46.7	2÷16.5 / 15÷20 / 19÷24	4.0	90	20.7	48.4
32	22 / 24	53.4	15÷20 / 19÷24	4.0	90	22.3	56.0
36	35	59.6	23÷35	4.0	105	22.3	62.4
40	35	65.5	23÷35	4.0	105	22.3	68.6

Conector recto para prolongación aérea.
 La salida PHM asegura una buena sujeción mecánica para cables multipolares apantallados y garantiza la mejor estanqueidad empleando los manguitos de neopreno adecuados.
 Zócalo estanco (grommet) no incluido.

In-line receptacle.
 Includes a PHM cable clamp that assures an excellent mechanical and waterproof seal with multipolar shielded cables if used with the correct neoprene sealing sleeves.
 No grommet supplied.

Conector recto para prolongación aérea
In-line receptacle



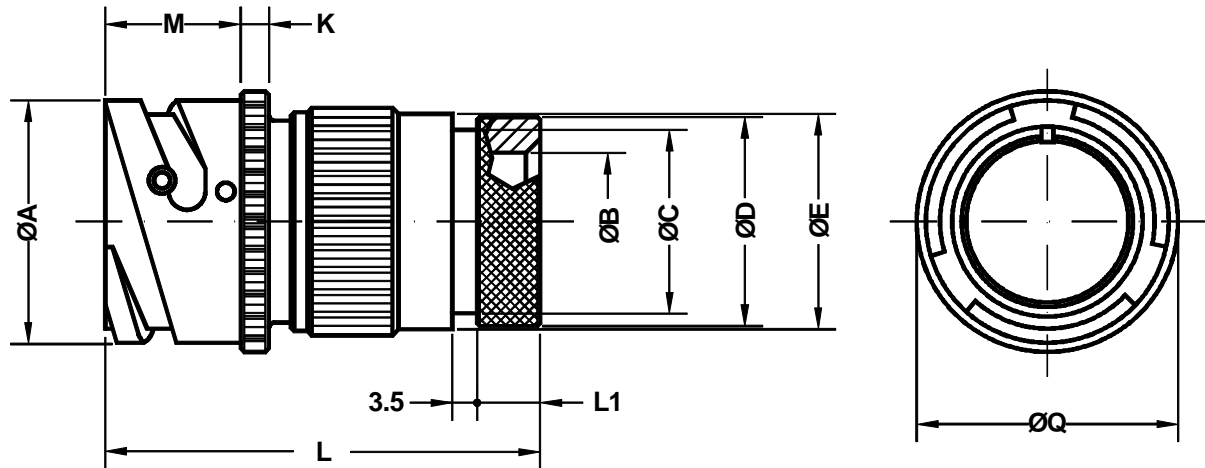
Ej. / Ex. : SCPB3101F20-27P

Dimensiones de conector Shell size	Ø A +0 -0.1	Ø B ±0.1	K ±0.2	L Max.	L 1 Max.	M +0.2 -0	Ø Q ±0.1
10 SL	18.2	5.58	2.8	55.0	125	14.3	21.8
14 S	24.5	7.92	3.3	58.4	125	14.5	28.8
16 S	27.2	11.09	3.3	60.4	125	14.5	30.5
16	27.2	11.09	3.3	71.8	135	19.1	30.5
18	30.7	14.27	4.0	77.8	140	19.1	33.8
20	34.0	15.87	4.0	74.0	130	19.1	36.9
22	37.3	15.87	4.0	74.0	130	19.6	39.5
24	40.9	19.05	4.0	76.7	130	20.6	43.9
28	46.7	19.05	4.0	83.2	135	20.7	48.4
32	53.4	23.79	4.0	90.3	140	22.3	56.0
36	59.6	31.75	4.0	96.8	145	22.3	62.4
40	65.5	34.92	4.0	115.8	160	22.3	68.6

Conector recto para prolongación aérea.
Incluye zócalo estanco (grommet), adaptador
con mecanizado posterior, brida tipo A
(MS3057) para cable y manguito reductor de
neopreno.

In-line receptacle.
Includes insulating grommet, backshell,
class A IT3057 cable clamp and neoprene
sleeve.

Conector recto para prolongación aérea
In-line receptacle



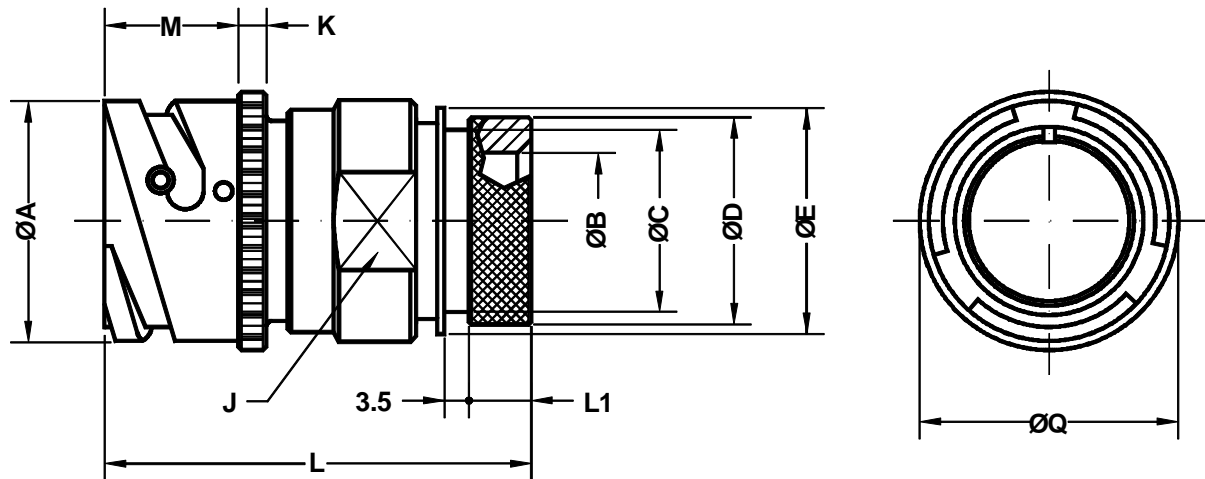
Ej./ Ex. : SCPB3101G20-27P

Dimensiones de conector Shell size	ØA +0 -0.1	ØB min.	ØC ±0.1	ØD ±0.2	ØE ±0.2	K ±0.2	L Max.	L1 Max.	M +0.2 -0	ØQ ±0.1
10 S L	18.2	8.5	13.0	15.5	17.0	2.8	52.7	8.2	14.3	21.8
14 S	24.5	12.0	16.5	19.1	20.1	3.3	53.4	8.2	14.5	28.8
16 S	27.2	14.5	21.5	23.9	23.5	3.3	53.4	8.2	14.5	30.5
16	27.2	14.5	21.5	23.9	23.5	3.3	65.8	8.0	19.1	30.5
18	30.7	17.5	21.7	23.9	26.5	4.0	65.8	8.0	19.1	33.8
20	34.0	19.5	26.0	29.6	30.5	4.0	66.1	8.9	19.1	36.9
22	37.3	22.0	26.0	29.6	33.6	4.0	66.1	8.9	19.6	39.5
24	40.9	25.0	34.5	37.8	36.1	4.0	65.7	9.2	20.6	43.9
28	46.7	29.0	34.5	37.8	41.4	4.0	66.2	9.2	20.7	48.4
32	53.4	34.0	43.6	47.8	48.6	4.0	73.8	11.7	22.3	56.0
36	59.6	38.5	43.6	47.8	54.8	4.0	83.8	11.7	22.3	62.4
40	65.5	48.0	52.6	57.8	60.9	4.0	83.8	11.7	22.3	68.6

Conector recto para prolongación aérea.
Incluye zócalo estanco (grommet) y adaptador
para bota termorretractil.

In-line receptacle.
Includes wire sealing grommet and backshell
for heat shrink tubing.

Conector recto para prolongación aérea
In-line receptacle



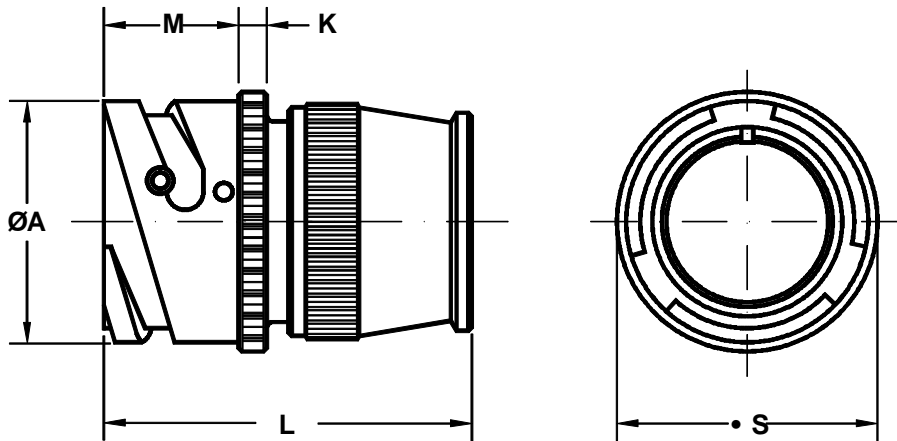
Ej. / Ex. : SCPB3101GR20-27P

Dimensiones de conector Shell size	ØA 0 -0.1	ØB min.	ØC ±0.1	ØD ±0.2	ØE ±0.2	LL. J J key	K ±0.2	L Max.	L1 Max.	M +0.2 0	ØQ ±0.1
10 SL	18.2	8.5	13.0	15.5	17.0	20	2.8	52.7	8.2	14.3	21.8
14 S	24.5	12.0	16.5	19.1	20.1	23	3.3	53.4	8.2	14.5	28.8
16 S	27.2	14.5	21.5	23.9	23.5	26	3.3	53.4	8.2	14.5	30.5
16	27.2	14.5	21.5	23.9	23.5	26	3.3	65.8	8.0	19.1	30.5
18	30.7	17.5	21.7	23.9	26.5	28	4.0	65.8	8.0	19.1	33.8
20	34.0	19.5	26.0	29.6	30.5	32	4.0	66.1	8.9	19.1	36.9
22	37.3	22.0	26.0	29.6	33.6	36	4.0	66.1	8.9	19.6	39.5
24	40.9	25.0	34.5	37.8	36.1	39	4.0	65.7	9.2	20.6	43.9
28	46.7	29.0	34.5	37.8	41.4	46	4.0	66.2	9.2	20.7	48.4
32	53.4	34.0	43.6	47.8	48.6	52	4.0	73.8	11.7	22.3	56.0
36	59.6	38.5	43.6	47.8	54.8	58	4.0	83.8	11.7	22.3	62.4
40	65.5	48.0	52.6	57.8	60.9	65	4.0	83.8	11.7	22.3	68.6

Conector recto para prolongación aérea.
Incluye zócalo estanco (grommet) y adaptador
inspeccionable para bota termorretractil.

In-line receptacle.
Includes wire sealing grommet and backshell
with rotating clamp nut for heat shrink tubing.

Conector recto para prolongación aérea
In-line receptacle



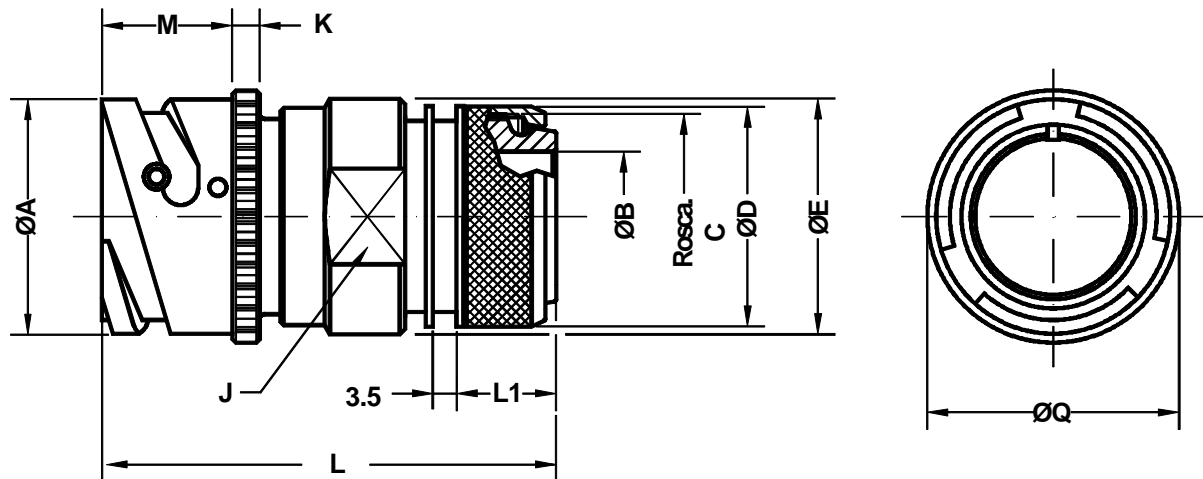
Ej. / Ex. : SCPB3101RS20-27P

Dimensiones de conector Shell size	ØA +0 -0.1	K ±0.2	L Max.	M +0.2 -0	ØQ ±0.1
10 SL	18.2	2.8	38.0	14.3	21.8
14 S	24.5	3.3	47.5	14.5	38.8
16 S	27.2	3.3	45.5	14.5	30.5
16	27.2	3.3	55.5	19.1	30.5
18	30.7	4.0	55.5	19.1	33.8
20	34.0	4.0	55.5	19.1	36.9
22	37.3	4.0	55.5	19.6	39.5
24	40.9	4.0	58.5	20.6	43.9
28	46.7	4.0	58.5	20.7	48.4
32	53.4	4.0	58.5	22.3	56.0
36	59.6	4.0	58.5	22.3	62.4
40	65.5	4.0	58.5	22.3	68.6

Conector recto para prolongación aérea.
Incluye zócalo estanco (grommet) y cuello
posterior.
Para uso con conductores individuales.

In-line receptacle.
Includes wire sealing grommet and
backshell. For use with individual wires.

Conector recto para prolongación aérea
In-line receptacle



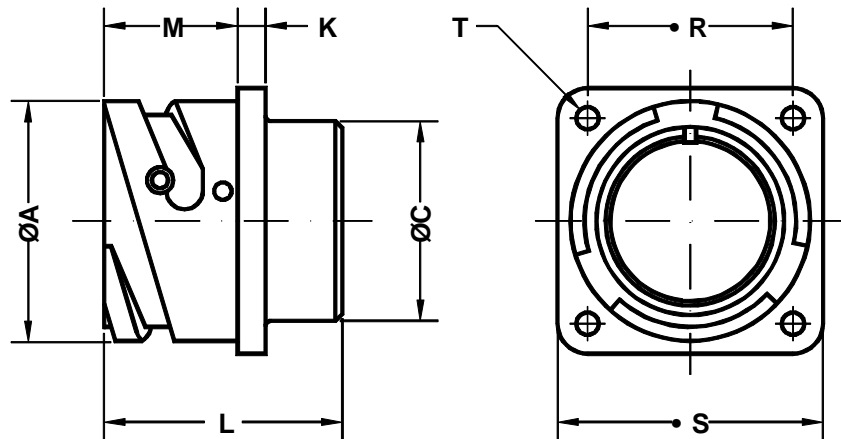
Ej. / Ex. : SCPB3101SP20-27P

Dimensiones de conector Shell size	Ø A 0 -0.1	Ø B m in.	Rosca C C thread	Ø D ±0.2	Ø E ±0.2	LL. J J key	K ±0.2	L Max.	L 1 Max.	M +0.2 0	Ø Q ±0.1
10 S L	18.2	8.5	M 16 x 1	18.5	22.0	20	2.8	52.0	13.5	14.3	21.8
14 S	24.5	12.0	M 20 x 1	22.3	25.0	23	3.3	52.0	13.5	14.5	28.8
16 S	27.2	14.5	M 23 x 1	25.3	28.0	26	3.3	54.0	14.6	14.5	30.5
16	27.2	14.5	M 23 x 1	25.3	28.0	26	3.3	63.0	14.6	19.1	30.5
18	30.7	17.5	M 26 x 1	28.0	30.0	28	4.0	64.5	14.6	19.1	33.8
20	34.0	19.5	M 30 x 1	32.3	34.5	32	4.0	64.5	14.6	19.1	36.9
22	37.3	22.0	M 32 x 1	34.3	38.0	36	4.0	64.5	14.6	19.6	39.5
24	40.9	25.0	M 36 x 1	38.3	41.0	39	4.0	66.0	14.6	20.6	43.9
28	46.7	29.0	M 39 x 1	41.2	48.0	46	4.0	66.0	14.6	20.7	48.4
32	53.4	34.0	M 45 x 1	48.3	54.0	52	4.0	67.5	14.6	22.3	56.0
36	59.6	38.5	M 52 x 1	55.0	61.0	58	4.0	68.0	15.5	22.3	62.4
40	65.5	48.0	M 59 x 1	62.0	68.0	65	4.0	68.0	15.5	22.3	68.6

Conector recto para prolongación aérea.
Incluye zócalo estanco (grommet) y adaptador inspeccionable para terminación de pantalla y bota termorretráctil.

In-line receptacle.
Includes wire sealing grommet and backshell with rotating clamp nut. Shielded cable is terminated with a "braid trap" nut and heat shrink tubing (optional).

Conector de base cuadrada para panel
Box mounting receptacle



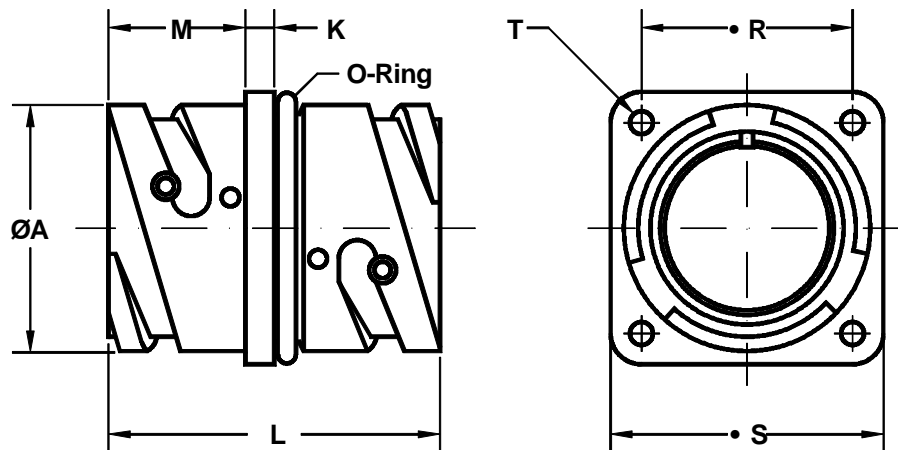
Ej./Ex.: SCPB3102A20-27P

Dimensiones de conector Shell size	ØA +0 -0.1	ØC Max.	K ±0.2	L Max.	M +0.2 -0	R ±0.1	S +0.2	ØT +0.1 -0
10 S L	18.2	16.2	2.8	24.7	14.3	18.25	25.4	3.2
14 S	24.5	19.2	3.3	24.7	14.5	23.00	30.4	3.2
16 S	27.2	22.4	3.3	24.7	14.5	24.60	32.5	3.2
16	27.2	22.4	3.3	33.8	19.1	24.60	32.5	3.2
18	30.7	25.6	4.0	34.5	19.1	27.00	35.0	3.2
20	34.0	29.0	4.0	34.5	19.1	29.40	38.0	3.2
22	37.3	32.2	4.0	34.5	19.6	31.75	41.0	3.2
24	40.9	35.3	4.0	35.7	20.6	34.90	44.5	3.7
28	46.7	41.4	4.0	35.7	20.7	39.70	50.9	3.7
32	53.4	47.8	4.0	37.3	22.3	44.45	57.0	4.3
36	59.6	54.1	4.0	37.3	22.3	49.20	63.5	4.3
40	65.5	59.0	4.0	37.3	22.3	55.55	69.9	4.3

Conector de base cuadrada para panel.
 Clase A: para uso general.
 Clase E, R: para aplicaciones que requieran
 un alto grado de estanqueidad.

Box mounting square flange receptacle.
 Class A: for general use,
 Class E, R: for environmental sealing.

Conector pasachasis Through-bulkhead receptacle



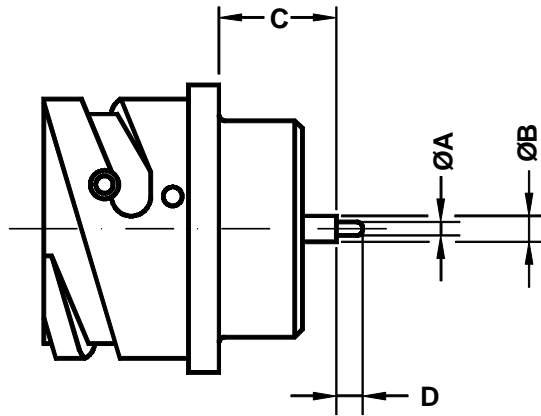
Ej. / Ex. : SCPB02PP20-27P/S

Dimensiones de conector Shell size	ØA +0 -0.1	K ±0.2	L ±0.3	M +0.2 -0	R ±0.1	S +0.2	Rosca T T thread
10 S L	18.2	2.8	37.5	14.3	18.25	25.4	M4
14 S	24.5	3.3	37.5	14.5	23.00	30.4	M4
16 S	27.2	3.3	37.5	14.5	24.60	32.5	M4
16	27.2	3.3	50.6	19.1	24.60	32.5	M4
18	30.7	4.0	51.4	19.1	27.00	35.0	M4
20	34.0	4.0	51.4	19.1	29.40	38.0	M4
22	37.3	4.0	51.4	19.6	31.75	41.0	M4
24	40.9	4.0	51.4	20.6	34.90	44.5	M4
28	46.7	4.0	51.4	20.7	39.70	50.9	M5
32	53.4	4.0	51.4	22.3	44.45	57.0	M5
36	59.6	4.0	51.4	22.3	49.20	63.5	M5
40	65.5	4.0	51.4	22.3	55.55	69.9	M5

Conector pasachasis macho-macho, con junta tórica de estanqueidad (O-Ring).

Through-bulkhead receptacle.

Conector de base cuadrada para panel
Box mounting receptacle



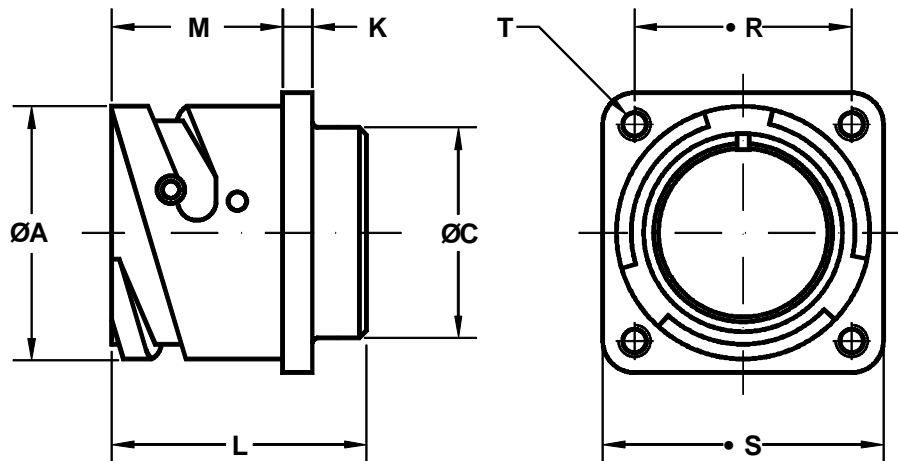
Ej. / Ex. : SCPB3102Y20-27P

Dimensiones del conector Shell size	DS 1				Y #16				Y #12				YL 5				
	A	B	C	D	A	B	C	D	A	B	C	D	A	B	C	D	
10 SL	0.8	1.8	13.80	3.6	-	-	-	-	-	-	-	-	-	-	-	-	-
14 S	0.8	1.8	12.40	3.6	-	-	-	-	-	-	-	-	-	-	-	-	-
16 S	0.8	1.8	12.40	3.6	-	-	-	-	-	-	-	-	-	-	-	-	-
16	0.8	1.8	14.60	3.6	0.8	1.8	17.85	3.5	1.8	3.4	17.85	3.5	0.8	1.8	17.85	5	
18	0.8	1.8	13.80	3.6	0.8	1.8	17.05	3.5	1.8	3.4	17.05	3.5	0.8	1.8	17.05	5	
20	0.8	1.8	13.80	3.6	0.8	1.8	17.05	3.5	1.8	3.4	17.05	3.5	0.8	1.8	17.05	5	
22	0.8	1.8	13.30	3.6	0.8	1.8	16.55	3.5	1.8	3.4	16.55	3.5	0.8	1.8	16.55	5	
24	0.8	1.8	12.20	3.6	0.8	1.8	15.45	3.5	1.8	3.4	15.45	3.5	0.8	1.8	15.45	5	
28	0.8	1.8	13.00	3.6	0.8	1.8	16.25	3.5	1.8	3.4	16.25	3.5	0.8	1.8	16.25	5	
32	-	-	-	-	0.8	1.8	13.85	3.5	1.8	3.4	13.85	3.5	0.8	1.8	16.70	5	
36	-	-	-	-	0.8	1.8	13.85	3.5	1.8	3.4	13.85	3.5	0.8	1.8	16.70	5	
40	-	-	-	-	0.8	1.8	13.85	3.5	1.8	3.4	13.85	3.5	0.8	1.8	16.70	5	

Conector de base cuadrada para panel con contactos para circuito impreso. Solo disponible en disposición de contactos de tamaño 16. Para otro tipo de contactos consultar con nuestro servicio de ventas.

Box mounting square flange receptacle with PCB contacts. Available only with contact arrangement size 16. For different contact size, please consult our sales department.

Conector de base cuadrada para montaje trasero en panel
Box mounting receptacle



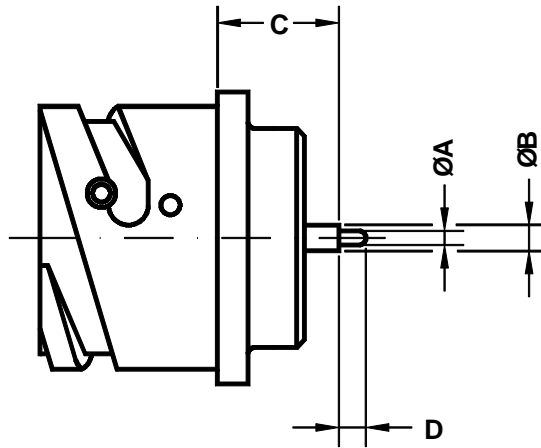
Ej./ Ex. : SCPB3103A20-27P

Dimensiones del conector Shell size	ØA 0 -0.1	ØC Max.	K ±0.2	L Max.	M +0.2 0	R ±0.1	S +0.2	Rosca T T thread
10 S L	18.2	16.2	2.8	24.7	18.5	18.25	25.4	M4
14 S	24.5	19.2	3.3	24.7	18.5	23.00	30.4	M4
16 S	27.2	22.4	3.3	24.7	18.5	24.60	32.5	M4
16	27.2	22.4	3.3	33.8	23.2	24.60	32.5	M4
18	30.7	25.6	4.0	34.2	23.2	27.00	35.0	M4
20	34.0	29.0	4.0	34.5	23.2	29.40	38.0	M4
22	37.3	32.2	4.0	33.8	23.2	31.75	41.0	M4
24	40.9	35.3	4.0	34.5	23.2	34.90	44.5	M4
28	46.7	41.4	4.0	34.5	24.4	39.70	50.9	M5
32	53.4	47.8	4.0	33.8	24.2	44.45	57.0	M5
36	59.6	54.1	4.0	33.8	24.2	49.20	63.5	M5
40	65.5	59.0	4.0	33.8	24.4	55.55	69.9	M5

Conector de base cuadrada para montaje trasero en panel.

Square flange receptacle for rear panel mounting.

Conector de base cuadrada para montaje trasero en panel Box mounting receptacle



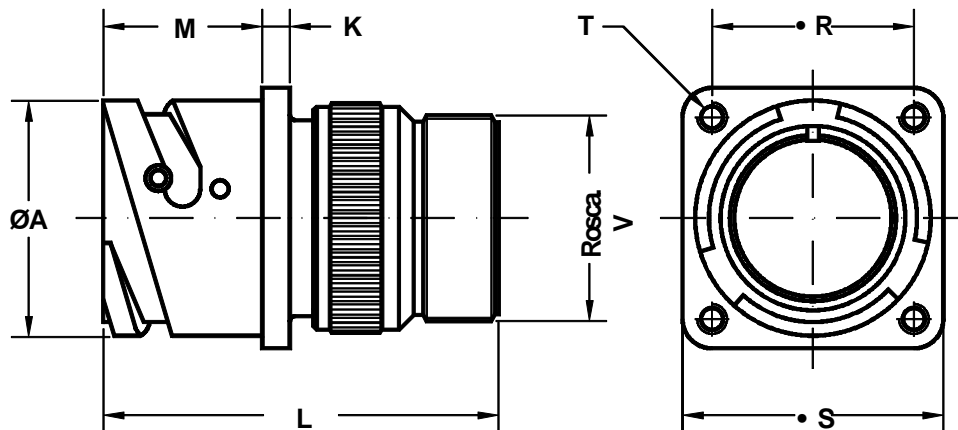
Ej. / Ex. : SCPB3103Y20-27P

Dimensiones del conector Shell size	DS 1				Y #16				Y #12				YL5				
	A	B	C	D	A	B	C	D	A	B	C	D	A	B	C	D	
10 SL	0.8	1.8	12.40	3.6	-	-	-	-	-	-	-	-	-	-	-	-	-
14 S	0.8	1.8	11.70	3.6	-	-	-	-	-	-	-	-	-	-	-	-	-
16 S	0.8	1.8	11.70	3.6	-	-	-	-	-	-	-	-	-	-	-	-	-
16	0.8	1.8	13.60	3.6	0.8	1.8	16.85	3.5	1.8	3.4	16.85	3.5	0.8	1.8	16.85	5	
18	0.8	1.8	13.60	3.6	0.8	1.8	16.85	3.5	1.8	3.4	16.85	3.5	0.8	1.8	16.85	5	
20	0.8	1.8	13.60	3.6	0.8	1.8	16.85	3.5	1.8	3.4	16.85	3.5	0.8	1.8	16.85	5	
22	0.8	1.8	13.60	3.6	0.8	1.8	16.85	3.5	1.8	3.4	16.85	3.5	0.8	1.8	16.85	5	
24	0.8	1.8	13.60	3.6	0.8	1.8	16.85	3.5	1.8	3.4	16.85	3.5	0.8	1.8	16.85	5	
28	0.8	1.8	13.30	3.6	0.8	1.8	16.55	3.5	1.8	3.4	16.55	3.5	0.8	1.8	16.55	5	
32	-	-	-	-	0.8	1.8	15.95	3.5	1.8	3.4	15.95	3.5	0.8	1.8	18.80	5	
36	-	-	-	-	0.8	1.8	15.95	3.5	1.8	3.4	15.95	3.5	0.8	1.8	18.80	5	
40	-	-	-	-	0.8	1.8	15.75	3.5	1.8	3.4	15.75	3.5	0.8	1.8	18.60	5	

Conector base para montaje trasero en panel. Contactos para circuito impreso.

Box mounting square flange receptacle for rear panel mounting with PCB contacts.

Conector de base cuadrada para montaje trasero en panel
Rear box mounting receptacle



Ej. / Ex. : SCPB31030A20-27P

Dimensiones del conector Shell size	ØA 0 -0.1	K ±0.2	L Max.	M +0.2 0	R ±0.1	S +0.2	Rosca T T thread	Rosca V V thread
10 S L	18.2	2.8	49.0	18.5	18.25	25.4	M4	0.6250 - 24UNEF
14 S	24.5	3.3	51.5	18.5	23.00	30.4	M4	0.7500 - 20UNEF
16 S	27.2	3.3	51.5	18.5	24.60	32.5	M4	0.8750 - 20UNEF
16	27.2	3.3	63.0	23.2	24.60	32.5	M4	0.8750 - 20UNEF
18	30.7	4.0	63.0	23.2	27.00	35.0	M4	1.0000 - 20UNEF
20	34.0	4.0	63.0	23.2	29.40	38.0	M4	1.1875 - 18UNEF
22	37.3	4.0	63.0	23.2	31.75	41.0	M4	1.1875 - 18UNEF
24	40.9	4.0	64.5	23.2	34.90	44.5	M4	1.4375 - 18UNEF
28	46.7	4.0	71.0	24.4	39.70	50.9	M5	1.4375 - 18UNEF
32	53.4	4.0	76.5	24.2	44.45	57.0	M5	1.7500 - 18UNS
36	59.6	4.0	82.0	24.2	49.20	63.5	M5	2.0000 - 18UNS
40	65.5	4.0	82.0	24.4	55.55	69.9	M5	2.2500 - 16UN

Conector de base cuadrada para montaje trasero en panel.

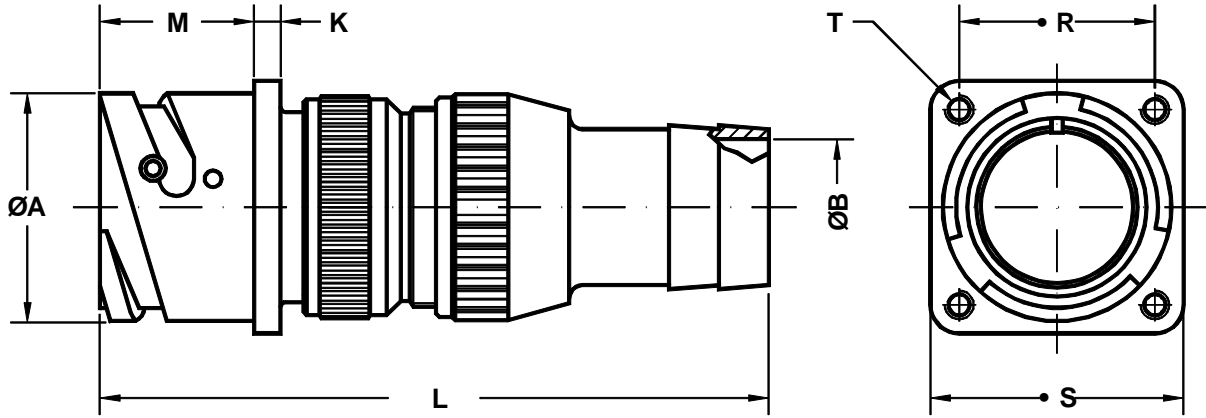
Suministrado con adaptador para brida SCP3057-XX A/B/C.

Square flange receptacle for rear panel mounting.

Includes backshell for cable clamp IT3057-XX A/B/C.

No grommet supplied.

Conector de base cuadrada para montaje trasero en panel
Rear box mounting receptacle



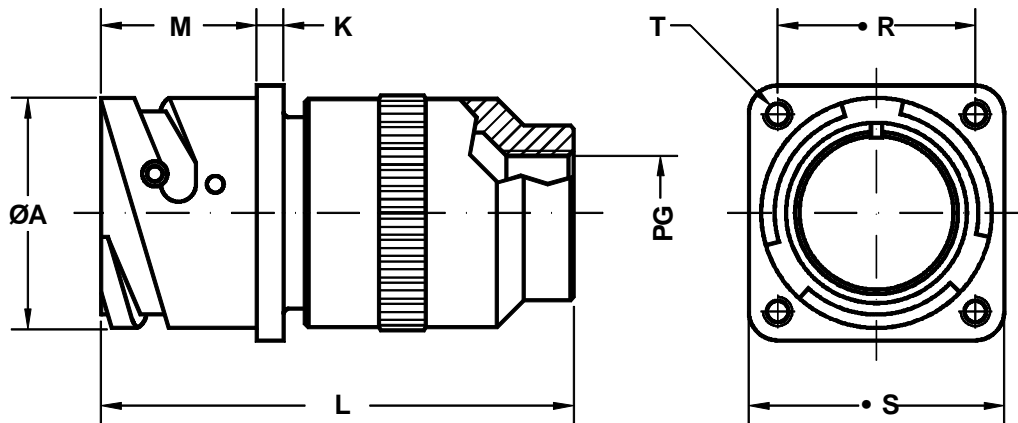
Ej. / Ex. : SCPБ31030A20-27PBR2722

Dimensiones del conector Shell size	ØA +0 -0.1	ØB ±0.1	K ±0.2	L Max.	M +0.2 -0	R ±0.1	S +0.2	Rosca T T thread
10 SL	18.2	Ver tabla pagina 87 See the table on page 87	2.8	95.0	18.5	18.25	25.4	M4
14 S	24.5		3.3	96.5	18.5	23.00	30.4	M4
16 S	27.2		3.3	96.5	18.5	24.60	32.5	M4
16	27.2		3.3	108.0	23.2	24.60	32.5	M4
18	30.7		4.0	108.0	23.2	27.00	35.0	M4
20	34.0		4.0	108.0	23.2	29.40	38.0	M4
22	37.3		4.0	108.0	23.2	31.75	41.0	M4
24	40.9		4.0	109.5	23.2	34.90	44.5	M4
28	46.7		4.0	116.0	24.4	39.70	50.9	M5
32	53.4		4.0	121.5	24.2	44.45	57.0	M5
36	59.6		4.0	127.0	24.2	49.20	63.5	M5
40	65.5		4.0	127.0	24.4	55.55	69.9	M5

Conector de base cuadrada para montaje trasero en panel.
Incluye adaptador y terminación para tubo de goma UNI4883.

Square flange receptacle for rear panel mounting.
Includes backshell and termination for UNI4883 rubber conduits.
No grommet supplied.

Conector de base cuadrada para montaje trasero en panel Rear box mounting receptacle



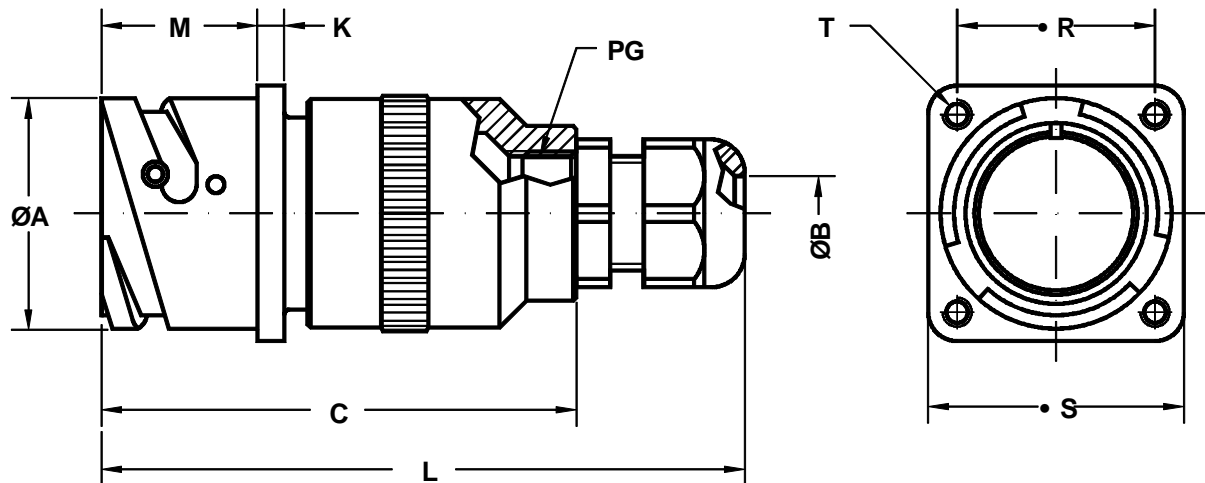
Ej. / Ex. : SCPB31030A20-27PPG16

Dimensiones del conector Shell size	ØA 0 -0.1	K ±0.2	L Max.	M +0.2 0	Rosca PG PG thread	R ±0.1	S +0.2	Rosca T T thread
10 S L	18.2	2.8	55.0	18.5	7 / 9 / 11	18.25	25.4	M4
14 S	24.5	3.3	57.5	18.5	11 / 13.5	23.00	30.4	M4
16 S	27.2	3.3	57.5	18.5	9 / 11 / 16	24.60	32.5	M4
16	27.2	3.3	66.0	23.2	9 / 11 / 16	24.60	32.5	M4
18	30.7	4.0	71.5	23.2	9 / 11 / 16 / 21	27.00	35.0	M4
20	34.0	4.0	74.5	23.2	11 / 16 / 21	29.40	38.0	M4
22	37.3	4.0	74.5	23.2	13.5 / 16 / 21	31.75	41.0	M4
24	40.9	4.0	76.5	23.2	13.5 / 16 / 21 / 29	34.90	44.5	M4
28	46.7	4.0	81.5	24.4	16 / 21 / 29	39.70	50.9	M5
32	53.4	4.0	87.5	24.2	21 / 29	44.45	57.0	M5
36	59.6	4.0	92.5	24.2	21 / 29 / 36	49.20	63.5	M5
40	65.5	4.0	97.5	24.4	29 / 36	55.55	69.9	M5

Conector base cuadrada para montaje trasero en panel con adaptador para acoplar prensaestopas PG (no incluido).
Otros tipos de adaptadores PG, para diferentes tamaños están disponibles, bajo pedido.
Zócalo estanco (grommet) no incluido.

Square flange receptacle for rear panel mounting for use with PG cable glands (not included).
Other types of PG adaptors can be supplied in various sizes upon request.
No grommet supplied.

Conector de base cuadrada para montaje trasero en panel Rear box mounting receptacle



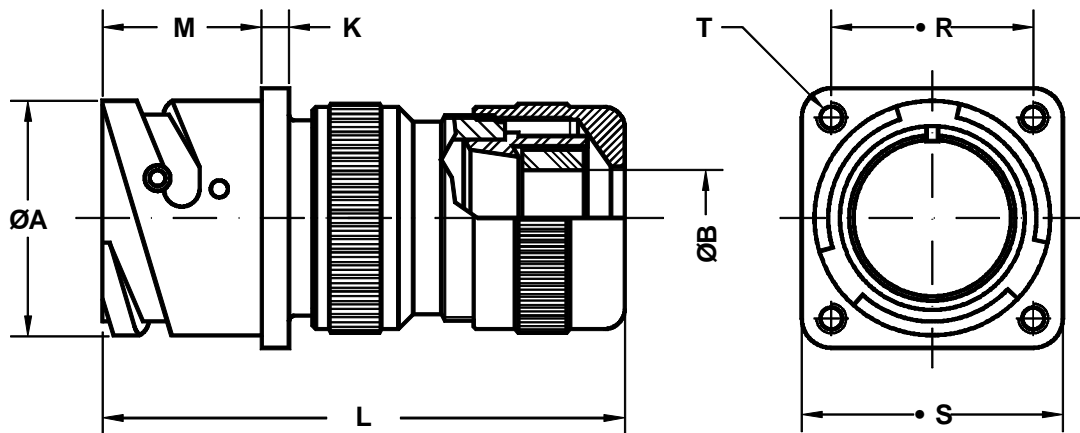
Ej./Ex. : SCPB31030A20-27PPH16

Dimensiones del conector Shell size	ØA 0 -0.1	ØB min. ÷ Max.	C Max.	K ±0.2	L Max.	M +0.2 0	Rosca PG PG thread	R ±0.1	S +0.2	Rosca T T thread
10 SL	18.2	3÷6.5 / 4÷8 / 5÷10	55.0	2.8	81.0	18.5	7 / 9 / 11	18.25	25.4	M4
14 S	24.5	5÷10 / 6÷12	57.5	3.3	86.5	18.5	11 / 13.5	23.00	30.4	M4
16 S	27.2	4÷8 / 5÷10 / 9÷14	57.5	3.3	88.5	18.5	9 / 11 / 16	24.60	32.5	M4
16	27.2	4÷8 / 5÷10 / 9÷14	66.0	3.3	97.0	23.2	9 / 11 / 16	24.60	32.5	M4
18	30.7	4÷8 / 5÷10 / 9÷14 / 13÷18	71.5	4.0	106.5	23.2	9 / 11 / 16 / 21	27.00	35.0	M4
20	34.0	5÷10 / 9÷14 / 13÷18	74.5	4.0	109.5	23.2	11 / 16 / 21	29.40	38.0	M4
22	37.3	6÷12 / 9÷14 / 13÷18	74.5	4.0	109.5	23.2	13.5 / 16 / 21	31.75	41.0	M4
24	40.9	6÷12 / 9÷14 / 13÷18 / 15÷25	76.5	4.0	115.5	23.2	13.5 / 16 / 21 / 29	34.90	44.5	M4
28	46.7	9÷14 / 13÷18 / 15÷25	81.5	4.0	120.5	24.4	16 / 21 / 29	39.70	50.9	M5
32	53.4	13÷18 / 15÷25	87.5	4.0	126.5	24.2	21 / 29	44.45	57.0	M5
36	59.6	13÷18 / 15÷25 / 20÷32	92.5	4.0	141.5	24.2	21 / 29 / 36	49.20	63.5	M5
40	65.5	15÷25 / 20÷32	97.5	4.0	145.5	24.4	29 / 36	55.55	69.9	M5

Conector base cuadrada para montaje trasero en panel con adaptador para acoplar prensaestopas PG (éste incluido). Otros tipos de adaptadores PG, para diferentes tamaños están disponibles, bajo pedido.
Zócalo estanco (grommet) no incluido.

Square flange receptacle for rear panel mounting with backshell and PG cable gland. Other types of PG adaptors can be supplied in various sizes upon request.
No grommet supplied.

Conector de base cuadrada para montaje trasero en panel Rear box mounting receptacle



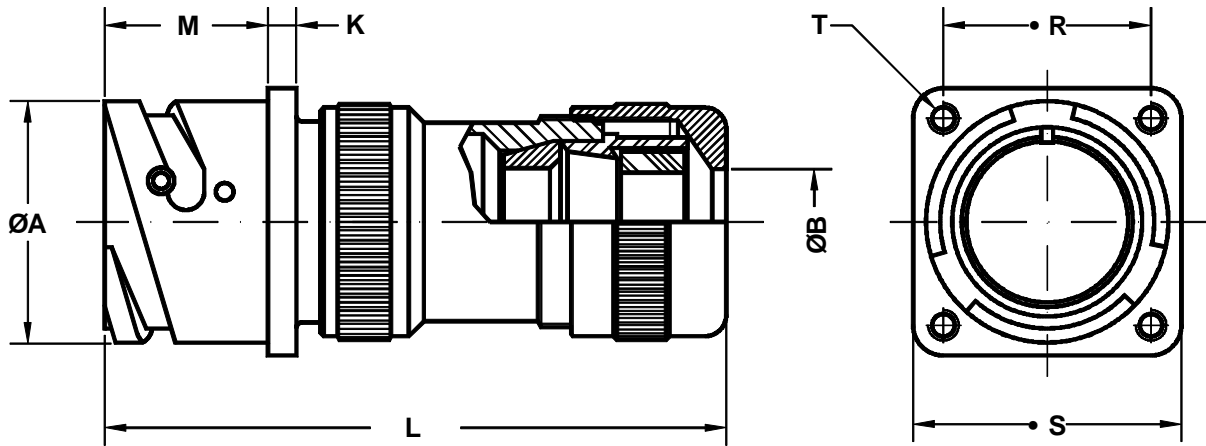
Ej./Ex. : SCPB31030A20-27PPHM11

Dimensiones del conector Shell size	P.N. PHM	ØA 0 -0.1	ØB min. ÷ Max.	K ±0.2	L Max.	M +0.2 0	R ±0.1	S +0.2	Rosca T T thread
10 SL	11	18.2	2÷11	2.8	65	18.5	18.25	25.4	M4
14 S	11	24.5	2÷11	3.3	65	18.5	23.00	30.4	M4
16 S	11	27.2	2÷11	3.3	65	18.5	24.60	32.5	M4
16	11	27.2	2÷11	3.3	75	23.2	24.60	32.5	M4
18	11 / 18	30.7	2÷11 / 2÷16.5	4.0	75	23.2	27.00	35.0	M4
20	11 / 18	34.0	2÷11 / 2÷16.5	4.0	75	23.2	29.40	38.0	M4
22	18	37.3	2÷16.5	4.0	75	23.2	31.75	41.0	M4
24	18 / 22 / 24	40.9	2÷16.5 / 15÷20 / 19÷24	4.0	85	23.2	34.90	44.5	M4
28	18 / 22 / 24	46.7	2÷16.5 / 15÷20 / 19÷24	4.0	85	24.4	39.70	50.9	M5
32	22 / 24	53.4	15÷20 / 19÷24	4.0	85	24.2	44.45	57.0	M5
36	35	59.6	23÷35	4.0	100	24.2	49.20	63.5	M5
40	35	65.5	23÷35	4.0	100	24.4	55.55	69.9	M5

Conector de base cuadrada para montaje trasero en panel.
Incluye adaptador PHM que asegura una buena sujeción mecánica del cable y garantiza la mejor estanqueidad si se usan los manguitos de neopreno adecuados.
Zócalo estanco (grommet) no incluido.

Square flange receptacle for rear panel mounting.
Includes a PHM cable clamp that assures an excellent mechanical and waterproof seal if used with the correct neoprene sealing sleeves.
No grommet supplied.

Conector de base cuadrada para montaje trasero en panel
Rear box mounting receptacle



Ej./Ex. : SCPB31030A20-27PPHM11EMI

Dimensiones del conector Shell size	P.N. PHM	Ø A 0 -0.1	Ø B min. ÷ Max.	K ±0.2	L Max.	M +0.2 0	R ±0.1	S +0.2	Rosca T T thread
10 SL	11	18.2	2÷11	2.8	75	18.5	18.25	25.4	M4
14 S	11	24.5	2÷11	3.3	75	18.5	23.00	30.4	M4
16 S	11	27.2	2÷11	3.3	75	18.5	24.60	32.5	M4
16	11	27.2	2÷11	3.3	85	23.2	24.60	32.5	M4
18	11 / 18	30.7	2÷11 / 2÷16.5	4.0	85	23.2	27.00	35.0	M4
20	11 / 18	34.0	2÷11 / 2÷16.5	4.0	85	23.2	29.40	38.0	M4
22	18	37.3	2÷16.5	4.0	85	23.2	31.75	41.0	M4
24	18 / 22 / 24	40.9	2÷16.5 / 15÷20 / 19÷24	4.0	95	23.2	34.90	44.5	M4
28	18 / 22 / 24	46.7	2÷16.5 / 15÷20 / 19÷24	4.0	95	24.4	39.70	50.9	M5
32	22 / 24	53.4	15÷20 / 19÷24	4.0	95	24.2	44.45	57.0	M5
36	35	59.6	23÷35	4.0	110	24.2	49.20	63.5	M5
40	35	65.5	23÷35	4.0	110	24.4	55.55	69.9	M5

Conector base cuadrada para montaje trasero en panel.

Incluye adaptador PHM que asegura una buena sujeción mecánica para cables multipolares apantallados y garantiza la mejor estanqueidad empleando los manguitos de neopreno adecuados.

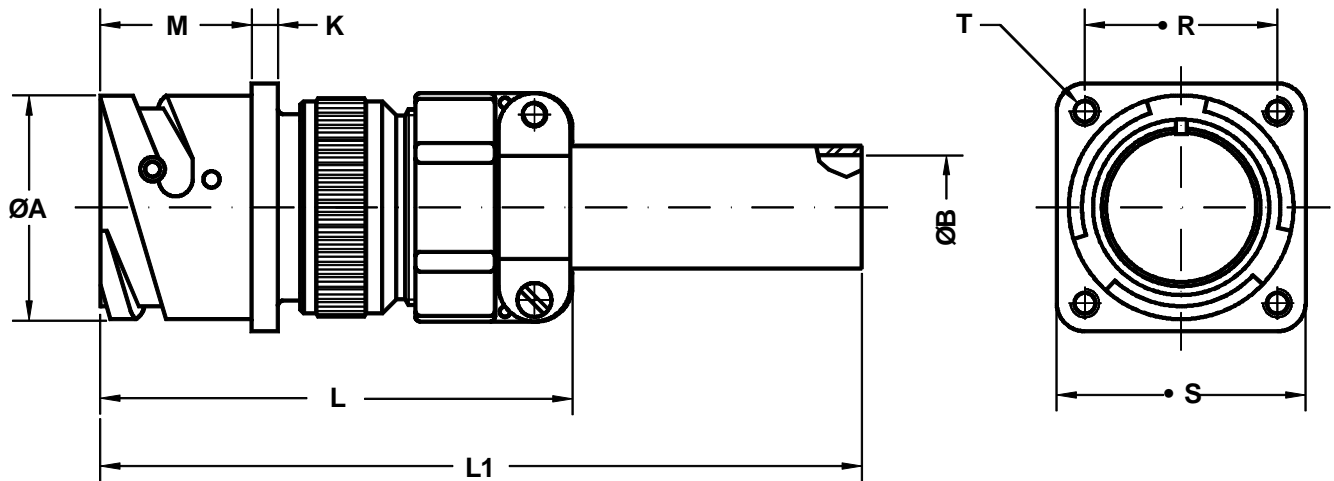
Zócalo estanco (grommet) no incluido.

Square flange receptacle for rear panel mounting.

Includes a PHM cable clamp that assures an excellent mechanical and waterproof seal with multipolar shielded cables if used with the correct neoprene sealing sleeves.

No grommet supplied.

Conector de base cuadrada para montaje trasero en panel
Rear box mounting receptacle



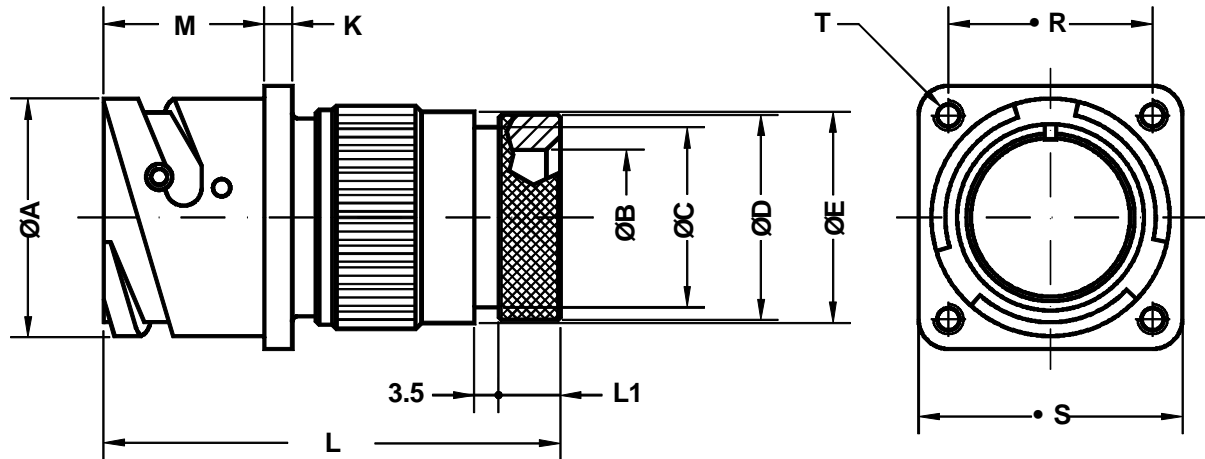
Ej./Ex. : SCPB31030F20-27P

Dimensiones del conector Shell size	ØA 0 -0.1	ØB ±0.1	K ±0.2	L Max.	L1 Max.	M +0.2 0	R ±0.1	S +0.2	Rosca T T thread
10 SL	18.2	5.58	2.8	60.0	130	18.5	18.25	25.4	M4
14 S	24.5	7.92	3.3	63.4	130	18.5	23.00	30.4	M4
16 S	27.2	11.09	3.3	65.4	130	18.5	24.60	32.5	M4
16	27.2	11.09	3.3	76.8	140	23.2	24.60	32.5	M4
18	30.7	14.27	4.0	82.8	145	23.2	27.00	35.0	M4
20	34.0	15.87	4.0	79.0	135	23.2	29.40	38.0	M4
22	37.3	15.87	4.0	79.0	135	23.2	31.75	41.0	M4
24	40.9	19.05	4.0	81.7	135	23.2	34.90	44.5	M4
28	46.7	19.05	4.0	88.2	140	24.4	39.70	50.9	M5
32	53.4	23.79	4.0	95.3	145	24.2	44.45	57.0	M5
36	59.6	31.75	4.0	101.8	150	24.2	49.20	63.5	M5
40	65.5	34.92	4.0	120.8	165	24.4	55.55	69.9	M5

Conector de base cuadrada para montaje trasero en panel.
Incluye zócalo estanco (grommet), adaptador con mecanizado posterior, brida tipo A (MS3057) para cable y manguito reductor de neopreno.

Square flange receptacle for rear panel mounting.
Includes insulating grommet, backshell, class A SCPB3057 cable clamp and neoprene sleeve.
No grommet supplied.

Conector de base cuadrada para montaje trasero en panel
Rear box mounting receptacle



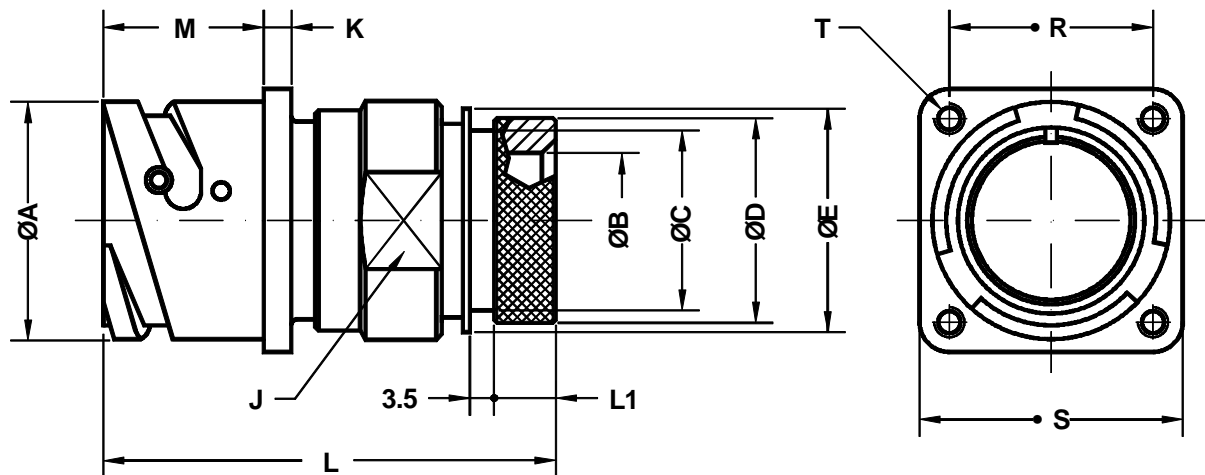
Ej. / Ex. : SCPB31030G20-27P

Dimensiones del conector Shell size	ØA +0 -0.1	ØB min.	ØC ±0.1	ØD ±0.2	ØE ±0.2	K ±0.2	L Max.	L1 Max.	M +0.2 0	R ±0.1	S +0.2	Rosca T T thread
10 SL	18.2	8.5	13.0	15.5	17.0	2.8	57.5	8.2	18.5	18.25	25.4	M4
14 S	24.5	12.0	16.5	19.1	20.1	3.3	58.4	8.2	18.5	23.00	30.4	M4
16 S	27.2	14.5	21.5	23.9	23.5	3.3	58.4	8.2	18.5	24.60	32.5	M4
16	27.2	14.5	21.5	23.9	23.5	3.3	70.8	8.0	23.2	24.60	32.5	M4
18	30.7	17.5	21.7	23.9	26.5	4.0	70.8	8.0	23.2	27.00	35.0	M4
20	34.0	19.5	26.0	29.6	30.5	4.0	71.1	8.9	23.2	29.40	38.0	M4
22	37.3	22.0	26.0	29.6	33.6	4.0	71.1	8.9	23.2	31.75	41.0	M4
24	40.9	25.0	34.5	37.8	36.1	4.0	70.7	9.2	23.2	34.90	44.5	M4
28	46.7	29.0	34.5	37.8	41.4	4.0	71.2	9.2	24.4	39.70	50.9	M5
32	53.4	34.0	43.6	47.8	48.6	4.0	78.8	11.7	24.2	44.45	57.0	M5
36	59.6	38.5	43.6	47.8	54.8	4.0	88.8	11.7	24.2	49.20	63.5	M5
40	65.5	48.0	52.6	57.8	60.9	4.0	88.8	11.7	24.4	55.55	69.9	M5

Conector de base cuadrada para montaje trasero en panel.
Incluye zócalo estanco (grommet) y adaptador para bota termorretráctil.

Square flange receptacle for rear panel mounting.
Includes wire sealing grommet and backshell for heat shrink tubing.

Conector de base cuadrada para montaje trasero en panel
Rear box mounting receptacle



Ej./ Ex. : SCPB31030GR20-27P

Dimensiones del conector Shell size	ØA 0 -0.1	ØB min.	ØC ±0.1	ØD ±0.2	ØE ±0.2	LL. J J key	K ±0.2	L Max.	L1 Max.	M +0.2 0	R ±0.1	S +0.2	Rosca T T thread
10 SL	18.2	8.5	13.0	15.5	17.0	20	2.8	57.7	8.2	18.5	18.25	25.4	M4
14 S	24.5	12.0	16.5	19.1	20.1	23	3.3	58.4	8.2	18.5	23.00	30.4	M4
16 S	27.2	14.5	21.5	23.9	23.5	26	3.3	58.4	8.2	18.5	24.60	32.5	M4
16	27.2	14.5	21.5	23.9	23.5	26	3.3	70.8	8.0	23.2	24.60	32.5	M4
18	30.7	17.5	21.7	23.9	26.5	28	4.0	70.8	8.0	23.2	27.00	35.0	M4
20	34.0	19.5	26.0	29.6	30.5	32	4.0	71.1	8.9	23.2	29.40	38.0	M4
22	37.3	22.0	26.0	29.6	33.6	36	4.0	71.1	8.9	23.2	31.75	41.0	M4
24	40.9	25.0	34.5	37.8	36.1	39	4.0	70.7	9.2	23.2	34.90	44.5	M4
28	46.7	29.0	34.5	37.8	41.4	46	4.0	71.2	9.2	24.4	39.70	50.9	M5
32	53.4	34.0	43.6	47.8	48.6	52	4.0	78.8	11.7	24.2	44.45	57.0	M5
36	59.6	38.5	43.6	47.8	54.8	58	4.0	88.8	11.7	24.2	49.20	63.5	M5
40	65.5	48.0	52.6	57.8	60.9	65	4.0	88.8	11.7	24.4	55.55	69.9	M5

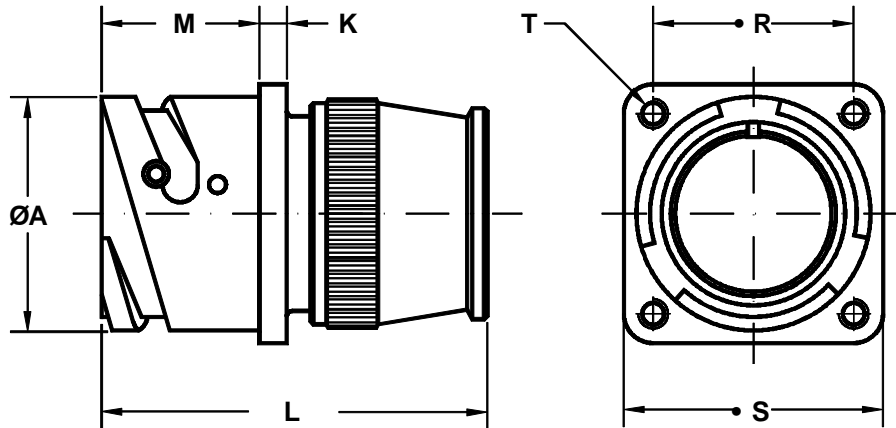
Conector de base cuadrada para montaje trasero en panel.

Incluye zócalo estanco (grommet) y adaptador inspeccionable para bota termorretráctil.

Square flange receptacle for rear panel mounting.

Includes wire sealing grommet and backshell with rotating clamp nut for heat shrink tubing.

Conector de base cuadrada para montaje trasero en panel
Rear box mounting receptacle



Ej. / Ex. : SCPB31030RS20-27P

Dimensiones del conector Shell size	Ø A 0 -0.1	K ±0.2	L Max.	M +0.2 0	R ±0.1	S +0.2	Rosca T T thread
10 S L	18.2	2.8	43.0	18.5	18.25	25.4	M 4
14 S	24.5	3.3	52.5	18.5	23.00	30.4	M 4
16 S	27.2	3.3	50.5	18.5	24.60	32.5	M 4
16	27.2	3.3	60.5	23.2	24.60	32.5	M 4
18	30.7	4.0	60.5	23.2	27.00	35.0	M 4
20	34.0	4.0	60.5	23.2	29.40	38.0	M 4
22	37.3	4.0	60.5	23.2	31.75	41.0	M 4
24	40.9	4.0	63.5	23.2	34.90	44.5	M 4
28	46.7	4.0	63.5	24.4	39.70	50.9	M 5
32	53.4	4.0	63.5	24.2	44.45	57.0	M 5
36	59.6	4.0	63.5	24.2	49.20	63.5	M 5
40	65.5	4.0	63.5	24.4	55.55	69.9	M 5

Conector de base cuadrada para montaje trasero en panel.

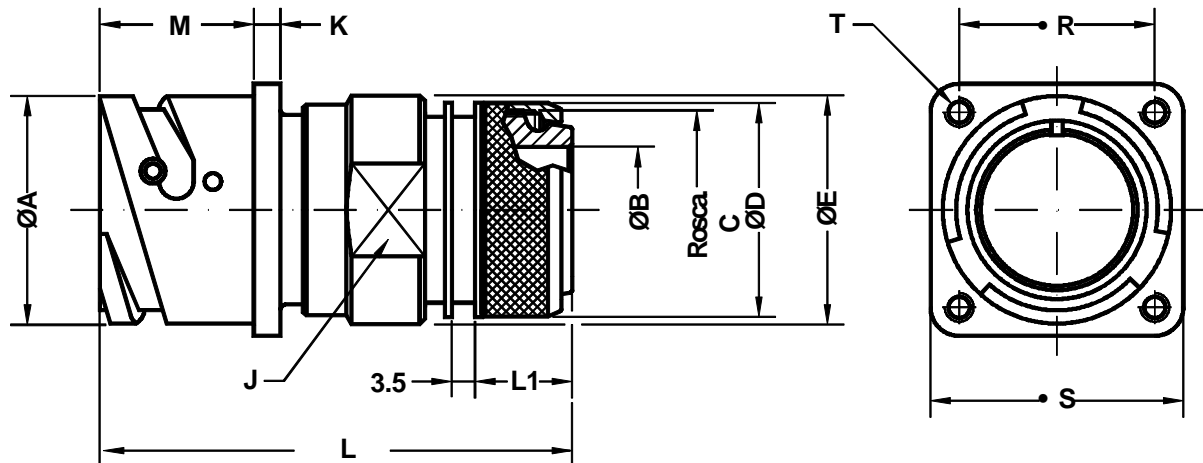
Incluye zócalo estanco (grommet) y cuello posterior.

Para uso con conductores individuales.

Square flange receptacle for rear panel mounting.

Includes wire sealing grommet and backshell. For use with individual wires.

Conector de base cuadrada para montaje trasero en panel
Rear box mounting receptacle



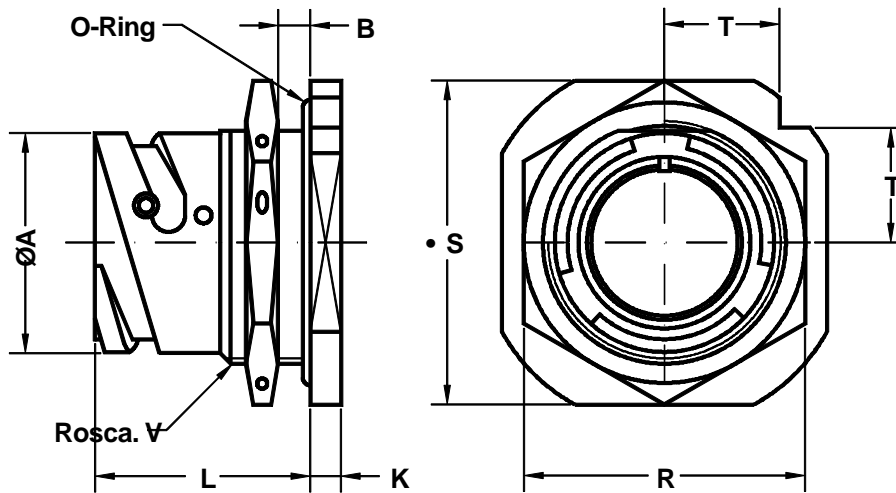
Ej. / Ex. : SCPB31030SP20-27P

Dimensiones del conector Shell size	ØA 0 -0.1	ØB min.	Rosca C C thread	ØD ±0.2	ØE ±0.2	LL. J J key	K ±0.2	L Max.	L1 Max.	M +0.2 0	R ±0.1	S +0.2	Rosca T T thread
10 SL	18.2	8.5	M16 x 1	18.5	22.0	20	2.8	57.0	13.5	18.5	18.25	25.4	M4
14 S	24.5	12.0	M20 x 1	22.3	25.0	23	3.3	57.0	13.5	18.5	23.00	30.4	M4
16 S	27.2	14.5	M23 x 1	25.3	28.0	26	3.3	59.0	14.6	18.5	24.60	32.5	M4
16	27.2	14.5	M23 x 1	25.3	28.0	26	3.3	68.0	14.6	23.2	24.60	32.5	M4
18	30.7	17.5	M26 x 1	28.0	30.0	28	4.0	69.5	14.6	23.2	27.00	35.0	M4
20	34.0	19.5	M30 x 1	32.3	34.5	32	4.0	69.5	14.6	23.2	29.40	38.0	M4
22	37.3	22.0	M32 x 1	34.3	38.0	36	4.0	69.5	14.6	23.2	31.75	41.0	M4
24	40.9	25.0	M36 x 1	38.3	41.0	39	4.0	71.0	14.6	23.2	34.90	44.5	M4
28	46.7	29.0	M39 x 1	41.2	48.0	46	4.0	71.0	14.6	24.4	39.70	50.9	M5
32	53.4	34.0	M45 x 1	48.3	54.0	52	4.0	72.5	14.6	24.2	44.45	57.0	M5
36	59.6	38.5	M52 x 1	55.0	61.0	58	4.0	73.0	15.5	24.2	49.20	63.5	M5
40	65.5	48.0	M59 x 1	62.0	68.0	65	4.0	73.0	15.5	24.4	55.55	69.9	M5

Conector de base cuadrada para montaje trasero en panel.
Incluye grommet y adaptador inspeccionable para terminación de pantalla y bota termorretráctil .

Square flange receptacle for rear panel mounting.
Includes wire sealing grommet and backshell with rotating clamp nut. Shielded cable is terminated with a "braid trap" nut and heat shrink tubing (optional).

**Conector base para montaje en panel
 Jam nut receptacle**



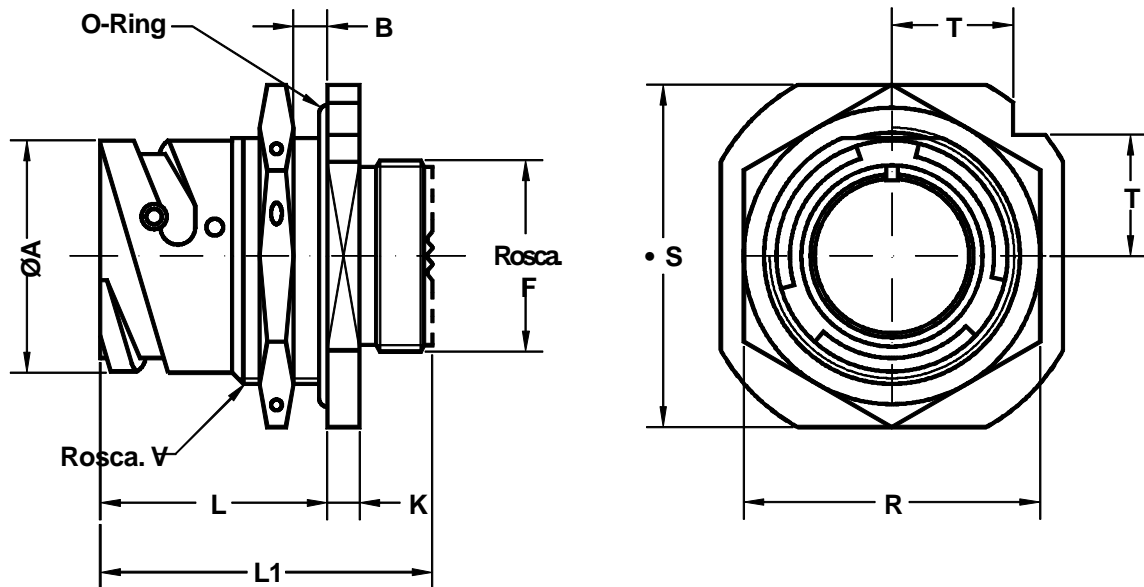
Ej./Ex. : SCPB3107A20-27P

Dimensiones del conector Shell size	Ø A 0 -0.1	Ø B		K ±0.2	L ±0.1	LL. R R key	S +0.2	T	Rosca V
		min.	Max.						V thread
10 SL	18.2	2.4	5.2	4.0	24.5	27	31.8	11.2	0.8750 - 20UNEF
14 S	24.5	2.4	7.5	4.8	26.8	33	41.3	14.6	1.1250 - 18UNEF
16 S	27.2	2.4	7.5	4.8	26.8	38	44.4	15.7	1.2500 - 18UNEF
16	27.2	2.4	7.5	4.8	32.2	38	44.4	15.7	1.2500 - 18UNEF
18	30.7	2.4	9.0	4.8	33.7	40	47.6	16.8	1.3750 - 18UNEF
20	34.0	2.4	9.0	4.8	33.7	44	50.8	18.0	1.5000 - 18UNEF
22	37.3	2.4	9.1	4.8	33.7	46	54.2	20.2	1.6250 - 18UNEF
24	40.9	2.4	9.1	4.8	33.7	51	57.2	20.2	1.7500 - 18UNS
28	46.7	2.4	8.5	5.6	35.2	55	63.5	22.5	2.0000 - 18UNS
32	53.4	2.4	6.5	5.6	35.2	62	69.8	24.7	2.2500 - 16UN
36	59.6	2.4	8.3	5.6	35.2	71	76.2	26.9	2.5000 - 16UN
40	65.5	2.4	8.3	5.6	35.2	75	83.5	29.6	2.7500 - 16UN

Conector base para montaje trasero en panel a través de un solo taladro. Se fija al panel mediante tuerca de sujeción incorporada en el conector. Incluye junta tórica (O-Ring).

Jam nut receptacle for rear panel single hole mounting. Includes O ring.

Conector base para montaje en panel
Jam nut receptacle



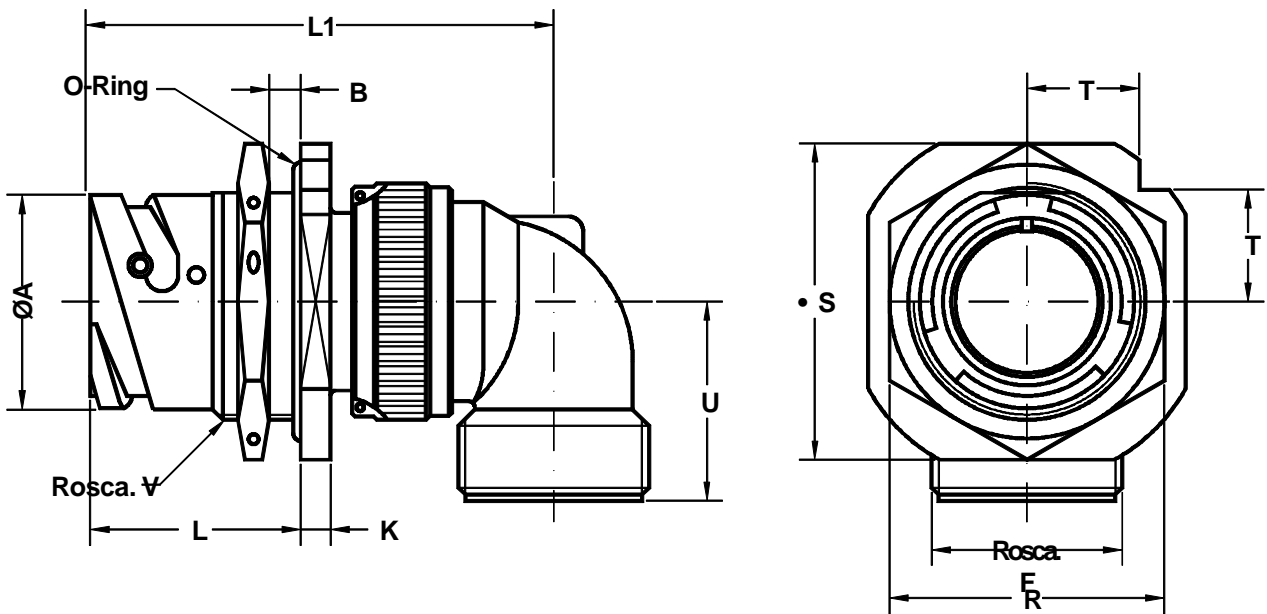
Ej. / Ex. : SCPB31070A20-27P

Dimensiones del conector Shell size	ØA 0 -0.1	ØB		Rosca F F thread	K ±0.2	L ±0.1	L1 ±0.25	LL. R R key	S +0.2	T	Rosca V V thread
		min.	Max.								
10 SL	18.2	2.4	5.2	0.6250 - 24UNEF	4.0	24.5	36.2	27	31.8	11.2	0.8750 - 20UNEF
14 S	24.5	2.4	7.5	0.7500 - 20UNEF	4.8	26.8	38.9	33	41.3	14.6	1.1250 - 18UNEF
16 S	27.2	2.4	7.5	0.8750 - 20UNEF	4.8	26.8	38.9	38	44.4	15.7	1.2500 - 18UNEF
16	27.2	2.4	7.5	0.8750 - 20UNEF	4.8	32.2	48.5	38	44.4	15.7	1.2500 - 18UNEF
18	30.7	2.4	9.0	1.0000 - 20UNEF	4.8	33.7	49.3	40	47.6	16.8	1.3750 - 18 UNEF
20	34.0	2.4	9.0	1.1250 - 18UNEF	4.8	33.7	49.3	44	50.8	18.0	1.5000 - 18UNEF
22	37.3	2.4	9.1	1.2500 - 18UNEF	4.8	33.7	49.3	46	54.2	20.2	1.6250 - 18UNEF
24	40.9	2.4	9.1	1.3750 - 18 UNEF	4.8	33.7	49.3	51	57.2	20.2	1.7500 - 18UNS
28	46.7	2.4	8.5	1.6250 - 18UNEF	5.6	35.2	51.9	55	63.5	22.5	2.0000 - 18UNS
32	53.4	2.4	6.5	1.8750 - 16UN	5.6	35.2	51.9	62	69.8	24.7	2.2500 - 16UN
36	59.6	2.4	8.3	2.0625 - 16UNS	5.6	35.2	51.9	71	76.2	26.9	2.5000 - 16UN
40	65.5	2.4	8.3	2.3125 - 16UNS	5.6	35.2	51.9	75	83.5	29.6	2.7500 - 16UN

Conector base para montaje trasero en panel a través de un solo taladro. Se fija al panel mediante tuerca de sujeción incorporada en el conector. Incluye junta tórica (O-Ring) y rosca posterior para utilización con diversos tipos de cuello.

Jam nut receptacle for rear panel single hole mounting with rear thread for the use of various types of backshells.

Conector base acodado para montaje en panel
Jam nut receptacle



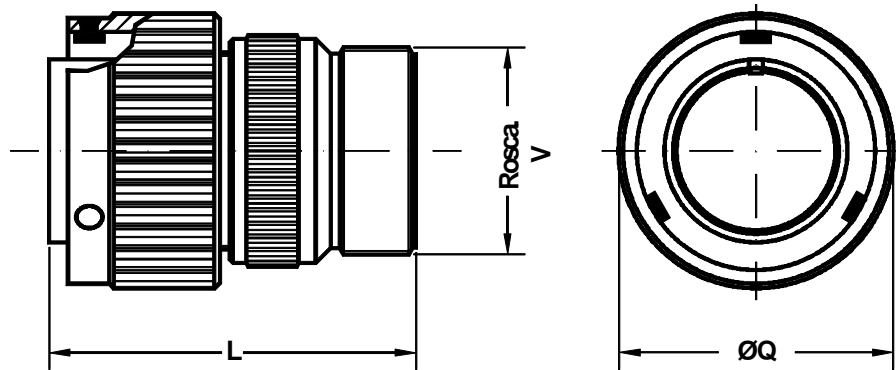
Ej. / Ex. : SCPB31078A20-27P

Dimensiones del conector Shell size	ØA 0 -0.1	ØB		Rosca F F thread	K ±0.2	L ±0.1	L1 Max.	LL. R R key	S +0.2	T	U ±0.2	Rosca V V thread
		min.	Max.									
10 SL	18.2	2.4	5.2	0.6250 - 24UNEF	4.0	24.5	50	27	31.8	11.2	25.0	0.8750 - 20UNEF
14 S	24.5	2.4	7.5	0.7500 - 20UNEF	4.8	26.8	55	33	41.3	14.6	26.5	1.1250 - 18UNEF
16 S	27.2	2.4	7.5	0.8750 - 20UNEF	4.8	26.8	58	38	44.4	15.7	27.0	1.2500 - 18UNEF
16	27.2	2.4	7.5	0.8750 - 20UNEF	4.8	32.2	68	38	44.4	15.7	27.0	1.2500 - 18UNEF
18	30.7	2.4	9.0	1.0000 - 20UNEF	4.8	33.7	70	40	47.6	16.8	30.0	1.3750 - 18 UNEF
20	34.0	2.4	9.0	1.1875 - 18UNEF	4.8	33.7	75	44	50.8	18.0	32.0	1.5000 - 18UNEF
22	37.3	2.4	9.1	1.1875 - 18UNEF	4.8	33.7	75	46	54.2	20.2	32.0	1.6250 - 18UNEF
24	40.9	2.4	9.1	1.4375 - 18UNEF	4.8	33.7	79	51	57.2	20.2	37.0	1.7500 - 18UNS
28	46.7	2.4	8.5	1.4375 - 18UNEF	5.6	35.2	81	55	63.5	22.5	38.0	2.0000 - 18UNS
32	53.4	2.4	6.5	1.7500 - 18UNS	5.6	35.2	85	62	69.8	24.7	45.5	2.2500 - 16UN
36	59.6	2.4	8.3	2.0000 - 18UNS	5.6	35.2	88	71	76.2	26.9	47.2	2.5000 - 16UN
40	65.5	2.4	8.3	2.2500 - 16UN	5.6	35.2	91	75	83.5	29.6	52.0	2.7500 - 16UN

Conector base acodado para montaje trasero en panel a través de un solo taladro
 Se fija al panel mediante tuerca de sujeción incorporada en el conector e incluye cuello posterior acodado.
 La versión de clase R se suministra con zócalo estanco (grommet).

Jam nut receptacle for rear panel single hole mounting.
 Includes a 90° backshell and a wire sealing grommet in class R.

Conector aéreo recto
Straight plug



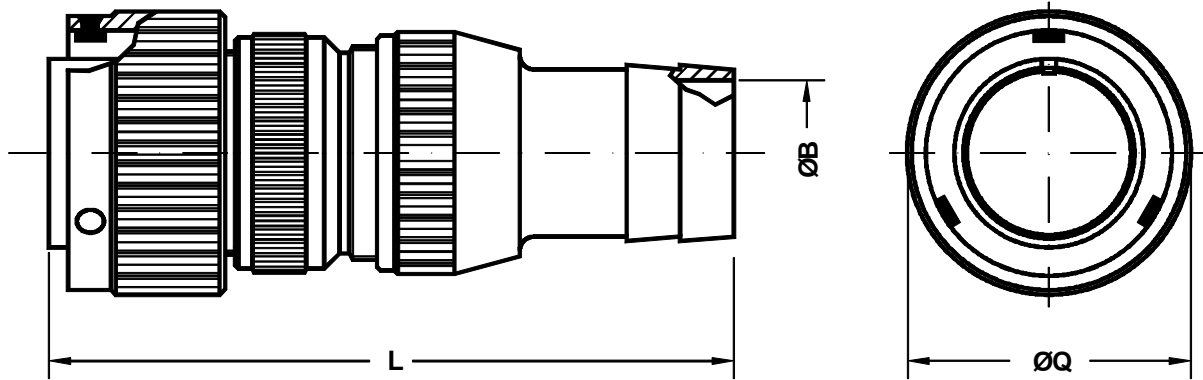
Ej./ Ex. : SCPB3106A20-27P

Dimensiones de conector Shell size	L Max.	ØQ ±0.2	Rosca V (pul.) V thread (inch)
10 SL	44.0	22.6	0.6250 - 24UNEF
14 S	46.4	29.0	0.7500 - 20UNEF
16 S	46.4	31.6	0.8750 - 20UNEF
16	57.8	31.6	0.8750 - 20UNEF
18	57.8	36.2	1.0000 - 20UNEF
20	58.1	39.8	1.1875 - 18UNEF
22	58.1	43.0	1.1875 - 18UNEF
24	59.7	46.4	1.4375 - 18UNEF
28	66.2	53.0	1.4375 - 18UNEF
32	71.3	60.0	1.7500 - 18UNS
36	76.8	66.2	2.0000 - 18UNS
40	76.8	72.3	2.2500 - 16UN

Conector aéreo recto.
Incluye adaptador con mecanizado posterior para brida MS3057 - XX A/B/C.
En la versión de clase R se incluye zócalo estanco (grommet).

Straight plug.
Includes backshell for cable clamp MS3057-XX A/B/C.
The class R includes an insulating grommet.

Conector aéreo recto
Straight plug



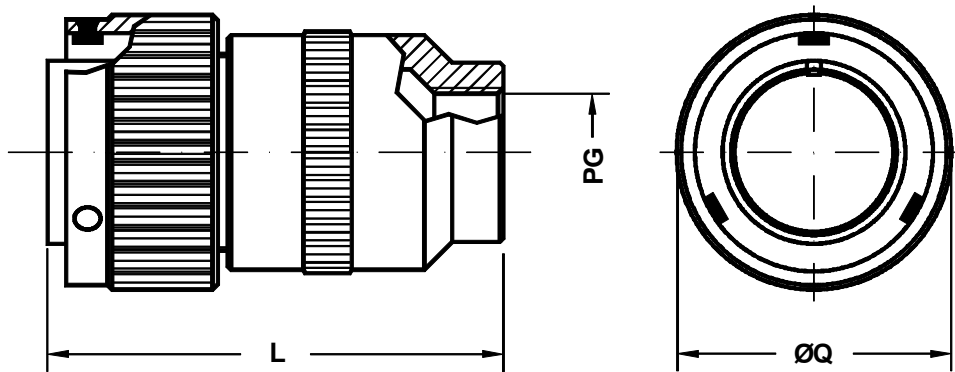
Ej. / Ex. : SCPB3106A20-27PBR2722

Dimensiones de conector Shell size	ØB ±0.1	L Max.	ØQ ±0.2
10 S L	Vedi tabella a pagina 88 See the table on page 88	90.0	22.6
14 S		91.5	29.0
16 S		91.5	31.6
16		103.0	31.6
18		103.0	36.2
20		103.0	39.8
22		103.0	43.0
24		104.5	46.4
28		111.0	53.0
32		116.5	60.0
36		122.0	66.2
40		122.0	72.3

Conector aéreo recto.
 Incluye adaptador y terminación para tubo de
 goma UNI4883.
 Zócalo estanco (grommet) no incluido.

Straight plug.
 Includes backshell and termination for
 UNI4883 rubber conduits.
 No grommet supplied.

Conector aéreo recto
Straight plug



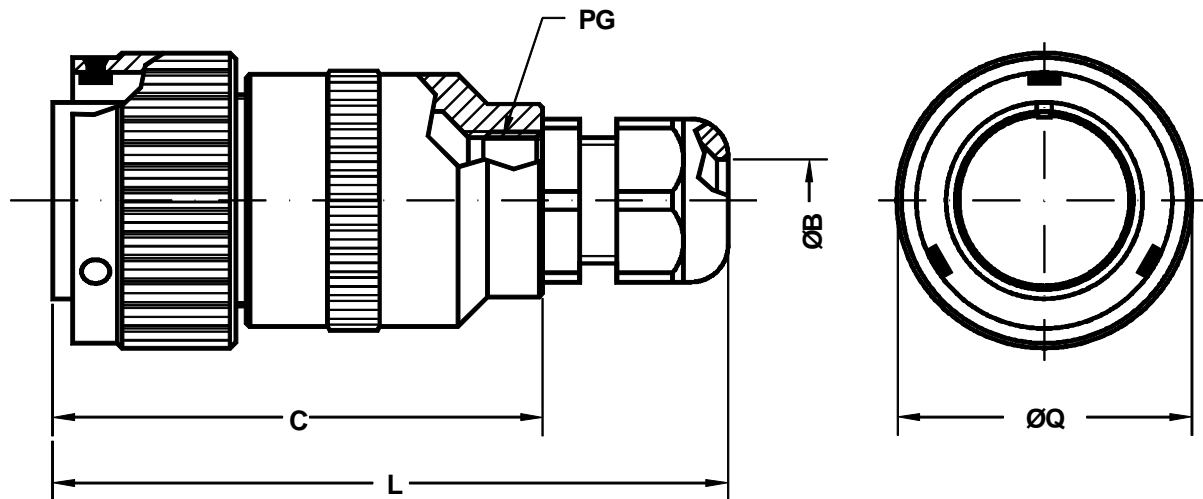
Ej. / Ex. : SCPB3106A20-27PPG16

Dimensiones de conector Shell size	L Max.	Rosca PG (pul.) PG thread (inch)	ØQ ±0.2
10 SL	50.0	7 / 9 / 11	22.6
14 S	52.5	11 / 13.5	29.0
16 S	52.5	9 / 11 / 16	31.6
16	61.0	9 / 11 / 16	31.6
18	66.5	9 / 11 / 16 / 21	36.2
20	69.5	11 / 16 / 21	39.8
22	69.5	13.5 / 16 / 21	43.0
24	71.5	13.5 / 16 / 21 / 29	46.4
28	76.5	16 / 21 / 29	53.0
32	82.5	21 / 29	60.0
36	87.5	21 / 29 / 36	66.2
40	92.5	29 / 36	72.3

Conector aéreo recto con adaptador para acoplar prensaestopas PG (no incluido). Otros tipos de adaptadores PG, para diferentes tamaños están disponibles, bajo pedido.
Zócalo estanco (grommet) no incluido.

Straight plug with backshell for use with PG cable glands (not included). Other types of PG adaptors can be supplied in various sizes upon request.
No grommet supplied.

Conector aéreo recto
Straight plug



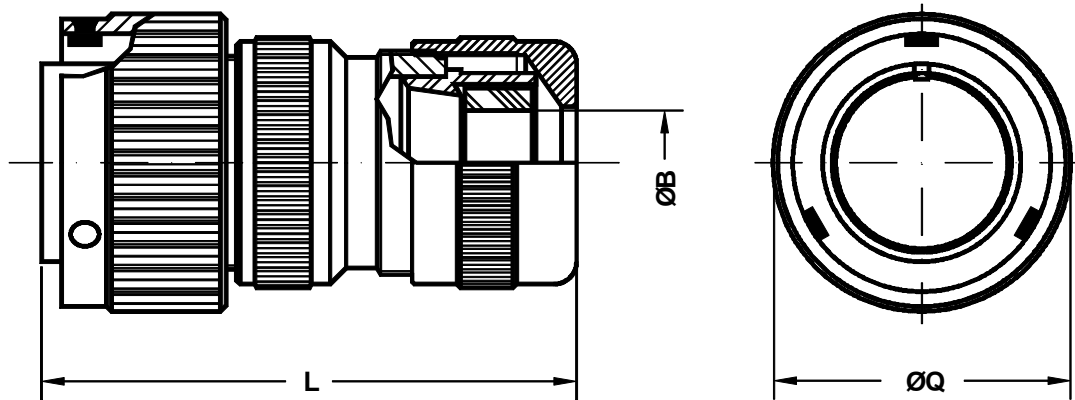
Ej. / Ex. : SCPB3106A20-27PPH16

Dimensiones de conector Shell size	ØB min. ÷ Max.	C Max.	L Max.	Rosca PG (pul.) PG thread (inch)	ØQ ±0.2
10 SL	3÷6.5 / 4÷8 / 5÷10	50.0	76.0	7 / 9 / 11	22.6
14 S	5÷10 / 6÷12	52.5	81.5	11 / 13.5	29.0
16 S	4÷8 / 5÷10 / 9÷14	52.5	83.5	9 / 11 / 16	31.6
16	4÷8 / 5÷10 / 9÷14	61.0	92.0	9 / 11 / 16	31.6
18	4÷8 / 5÷10 / 9÷14 / 13÷18	66.5	101.5	9 / 11 / 16 / 21	36.2
20	5÷10 / 9÷14 / 13÷18	69.5	104.5	11 / 16 / 21	39.8
22	6÷12 / 9÷14 / 13÷18	69.5	104.5	13.5 / 16 / 21	43.0
24	6÷12 / 9÷14 / 13÷18 / 15÷25	71.5	110.5	13.5 / 16 / 21 / 29	46.4
28	9÷14 / 13÷18 / 15÷25	76.5	115.5	16 / 21 / 29	53.0
32	13÷18 / 15÷25	82.5	121.5	21 / 29	60.0
36	13÷18 / 15÷25 / 20÷32	87.5	136.5	21 / 29 / 36	66.2
40	15÷25 / 20÷32	92.5	141.5	29 / 36	72.3

Conector aéreo recto con adaptador para acoplar prensaestopas PG (éste incluido). Otros tipos de adaptadores PG, para diferentes tamaños están disponibles, bajo pedido. Zócalo estanco (grommet) no incluido.

Straight plug with backshell and PG cable gland. Other types of PG adaptors can be supplied in various sizes upon request. No grommet supplied.

Conector aéreo recto Straight plug



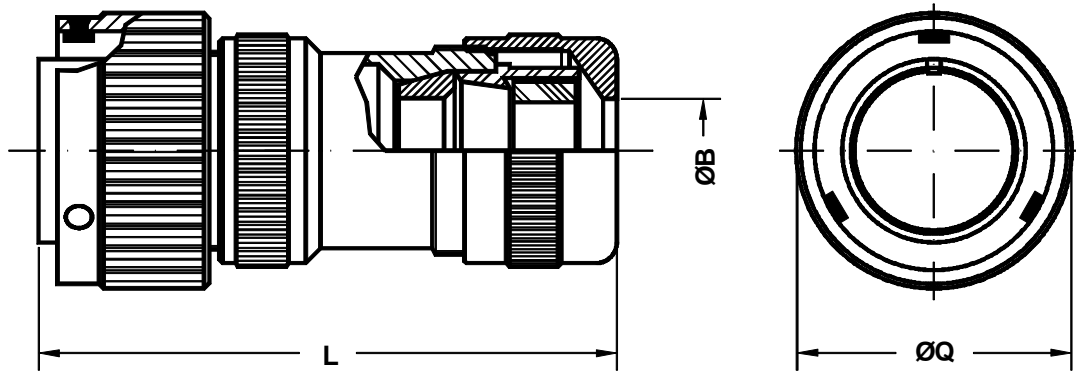
Ej. / Ex. : SCPB3106A20-27PPHM11

Dimensiones de conector Shell size	P.N. PHM	Ø B min. ÷ Max.	L Max.	Ø Q ±0.2
10 S L	11	2÷11	60	22.6
14 S	11	2÷11	60	29.0
16 S	11	2÷11	60	31.6
16	11	2÷11	70	31.6
18	11 / 18	2÷11 / 2÷16.5	70	36.2
20	11 / 18	2÷11 / 2÷16.5	70	39.8
22	18	2÷16.5	70	43.0
24	18 / 22 / 24	2÷16.5 / 15÷20 / 19÷24	80	46.4
28	18 / 22 / 24	2÷16.5 / 15÷20 / 19÷24	80	53.0
32	22 / 24	15÷20 / 19÷24	80	60.0
36	35	23÷35	95	66.2
40	35	23÷35	95	72.3

Conector aéreo recto.
Incluye adaptador PHM que asegura una buena sujeción mecánica del cable y garantiza la mejor estanqueidad si se usan los manguitos de neopreno adecuados.
Zócalo estanco (grommet) no incluido.

Straight plug complete with a PHM cable clamp that assures an excellent mechanical and waterproof seal if used with the correct neoprene sealing sleeves.
No grommet supplied.

Conector aéreo recto
Straight plug



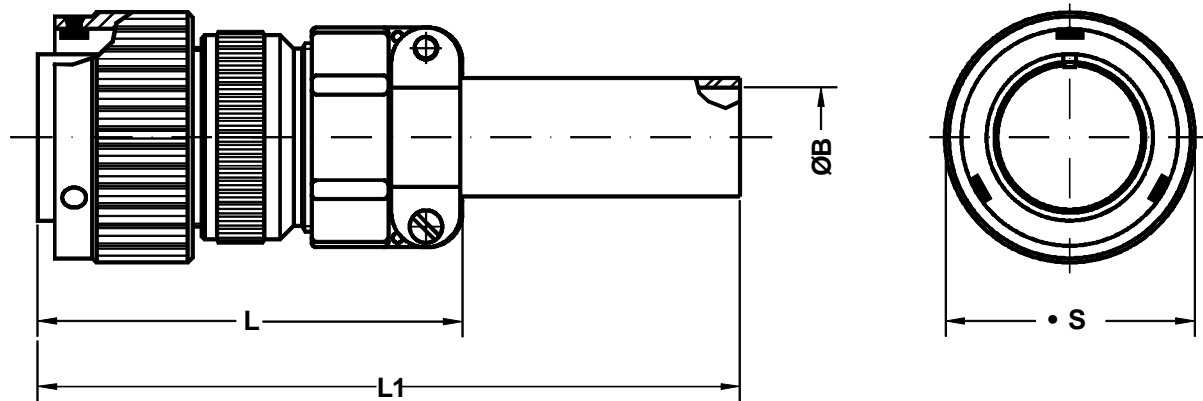
Ej./Ex. : SCPB3106A20-27PPHM11EMI

Dimensiones de conector Shell size	P.N. PHM	ØB min. ÷ Max.	L Max.	ØQ ±0.2
10 SL	11	2÷11	70	22.6
14 S	11	2÷11	70	29.0
16 S	11	2÷11	70	31.6
16	11	2÷11	80	31.6
18	11 / 18	2÷11 / 2÷16.5	80	36.2
20	11 / 18	2÷11 / 2÷16.5	80	39.8
22	18	2÷16.5	80	43.0
24	18 / 22 / 24	2÷16.5 / 15÷20 / 19÷24	90	46.4
28	18 / 22 / 24	2÷16.5 / 15÷20 / 19÷24	90	53.0
32	22 / 24	15÷20 / 19÷24	90	60.0
36	35	23÷35	105	66.2
40	35	23÷35	105	72.3

Conector aéreo recto.
 Incluye adaptador PHM que asegura una buena sujeción mecánica para cables multipolares apantallados y garantiza la mejor estanqueidad empleando los manguitos de neopreno adecuados.
 Zócalo estanco (grommet) no incluido.

Straight plug complete with a PHM cable clamp that assures an excellent mechanical and waterproof seal with multipolar shielded cables if used with the correct neoprene sealing sleeves.
 No grommet supplied.

Conector aéreo recto
Straight plug



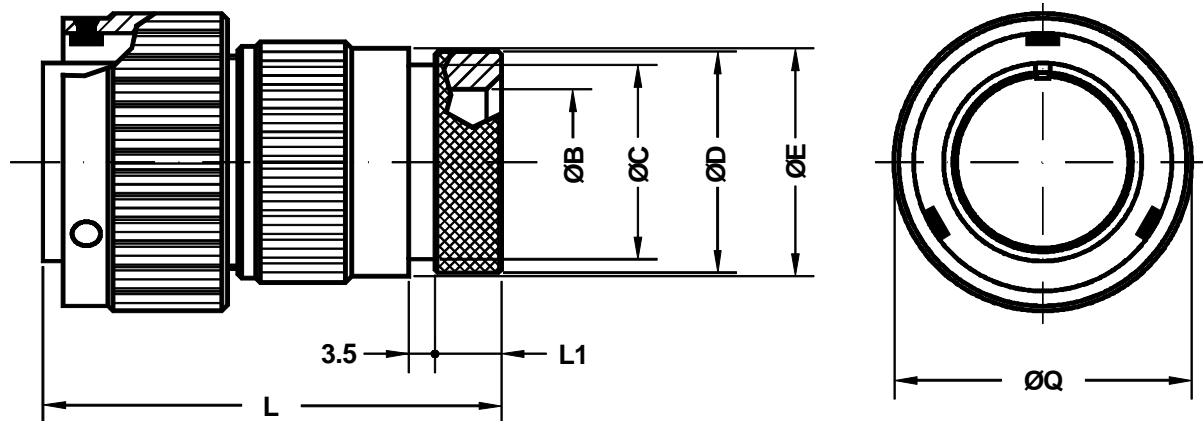
Ej. / Ex. : SCPB3106F20-27P

Dimensiones de conector Shell size	Ø B ±0.1	L Max.	L 1 Max.	Ø Q ±0.2
10 S L	5.58	55.0	125	22.6
14 S	7.92	58.4	125	29.0
16 S	11.09	60.4	125	31.6
16	11.09	71.8	135	31.6
18	14.27	77.8	140	36.2
20	15.87	74.0	130	39.8
22	15.87	74.0	130	43.0
24	19.05	76.7	130	46.4
28	19.05	83.2	135	53.0
32	23.79	90.3	140	60.0
36	31.75	96.8	145	66.2
40	34.92	115.8	160	72.3

Conector aéreo recto.
Incluye zócalo estanco (grommet), adaptador
con mecanizado posterior, brida tipo A
(SCPB3057-XXA) para cable y manguito
reductor de neopreno.

Straight plug.
Includes insulating grommet, backshell,
class A SCPB3057-XXA cable clamp and
neoprene sleeve.

Conector aéreo recto
Straight plug



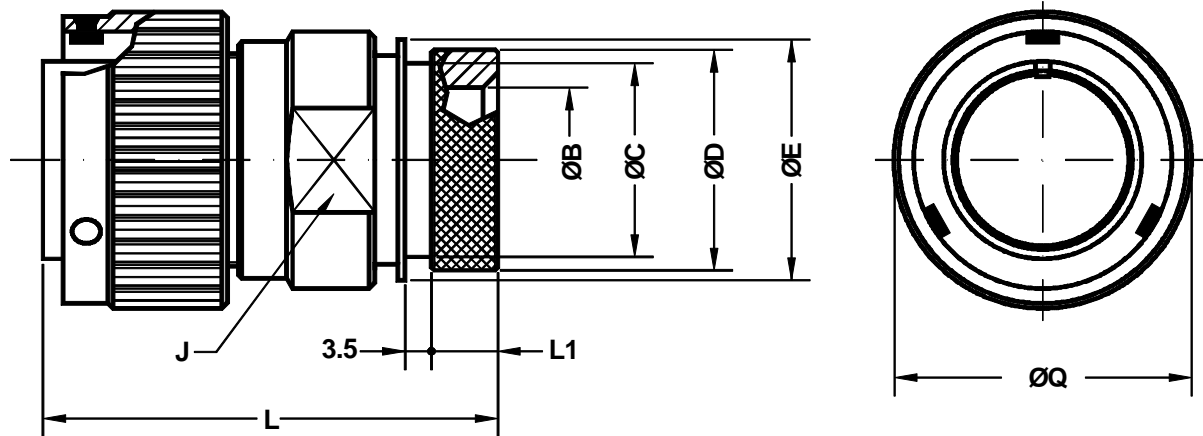
Ej./ Ex. : SCPB3106G20-27P

Dimensiones de conector Shell size	ØB min.	ØC ±0.1	ØD ±0.2	ØE ±0.2	L Max.	L1 Max.	ØQ ±0.2
10 SL	8.5	13.0	15.5	17.0	52.7	8.2	22.6
14 S	12.0	16.5	19.1	20.1	53.4	8.2	29.0
16 S	14.5	21.5	23.9	23.5	53.4	8.2	31.6
16	14.5	21.5	23.9	23.5	65.8	8.0	31.6
18	17.5	21.7	23.9	26.5	65.8	8.0	36.2
20	19.5	26.0	29.6	30.5	66.1	8.9	39.8
22	22.0	26.0	29.6	33.6	66.1	8.9	43.0
24	25.0	34.5	37.8	36.1	65.7	9.2	46.4
28	29.0	34.5	37.8	41.4	66.2	9.2	53.0
32	34.0	43.6	47.8	48.6	73.8	11.7	60.0
36	38.5	43.6	47.8	54.8	83.8	11.7	66.2
40	48.0	52.6	57.8	60.9	83.8	11.7	72.3

Conector aéreo recto.
Incluye zócalo estanco (grommet) y adaptador
para bota termorretractil.

Straight plug.
Includes wire sealing grommet and backshell
for heat shrink tubing.

Conector aéreo recto
Straight plug



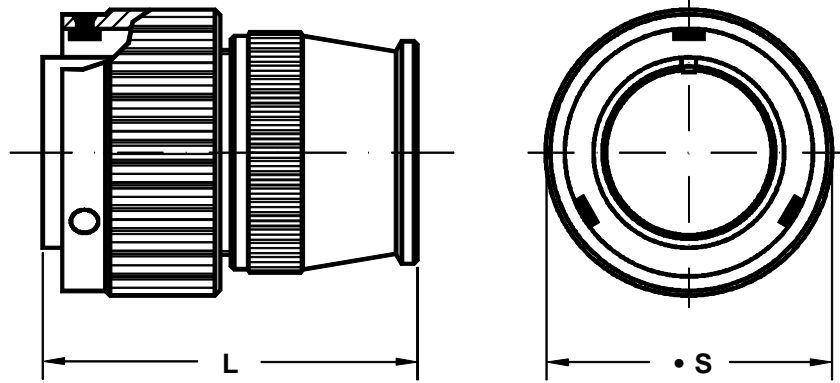
Ej. / Ex. : SCPB3106GR20-27P

Dimensione Guscio Shell size	ØB min.	ØC ±0.1	ØD ±0.2	ØE ±0.2	LL : J J key	L Max.	L1 Max.	ØQ ±0.2
10 SL	8.5	13.0	15.5	17.0	20	50.0	8.2	22.6
14 S	12.0	16.5	19.1	20.1	23	50.0	8.2	29.0
16 S	14.5	21.5	23.9	23.5	26	50.0	8.2	31.6
16	14.5	21.5	23.9	23.5	26	56.5	8.0	31.6
18	17.5	21.7	23.9	26.5	28	59.5	8.0	36.2
20	19.5	26.0	29.6	30.5	32	59.5	8.9	39.8
22	22.0	26.0	29.6	33.6	36	59.5	8.9	43.0
24	25.0	34.5	37.8	36.1	39	60.5	9.2	46.4
28	29.0	34.5	37.8	41.4	46	61.5	9.2	53.0
32	34.0	43.6	47.8	48.6	52	65.5	11.7	60.0
36	38.5	43.6	47.8	54.8	58	65.5	11.7	66.2
40	48.0	52.6	57.8	60.9	65	65.5	11.7	72.3

Conector aéreo recto.
Incluye zócalo estanco (grommet) y adaptador
inspeccionable para bota termorretractil.

Straight plug.
Includes wire sealing grommet and backshell
with rotating clamp nut for heat shrink tubing.

Conector aéreo recto
Straight plug



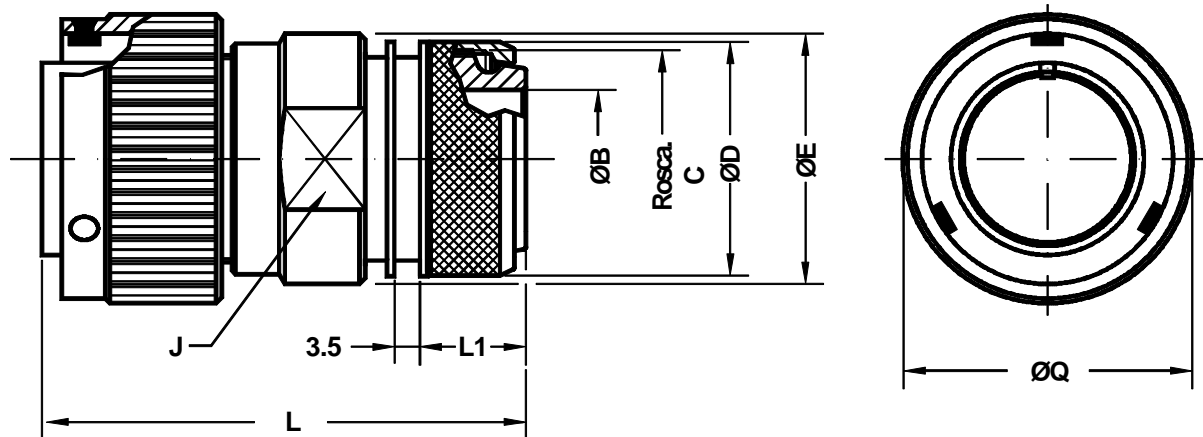
Ej. / Ex. : SCPB3106RS20-27P

Dimensiones del conector Shell size	L Max.	ØQ ±0.2
10 SL	38.0	22.6
14 S	47.5	29.0
16 S	45.5	31.6
16	55.5	31.6
18	55.5	36.2
20	55.5	39.8
22	55.5	43.0
24	58.5	46.4
28	58.5	53.0
32	58.5	60.0
36	58.5	66.2
40	58.5	72.3

Conector aéreo recto.
Incluye zócalo estanco (grommet) y cuello
posterior.
Para uso con conductores individuales.

Straight plug.
Includes wire sealing grommet and
backshell. For use with individual wires.

Conector aéreo recto
Straight plug



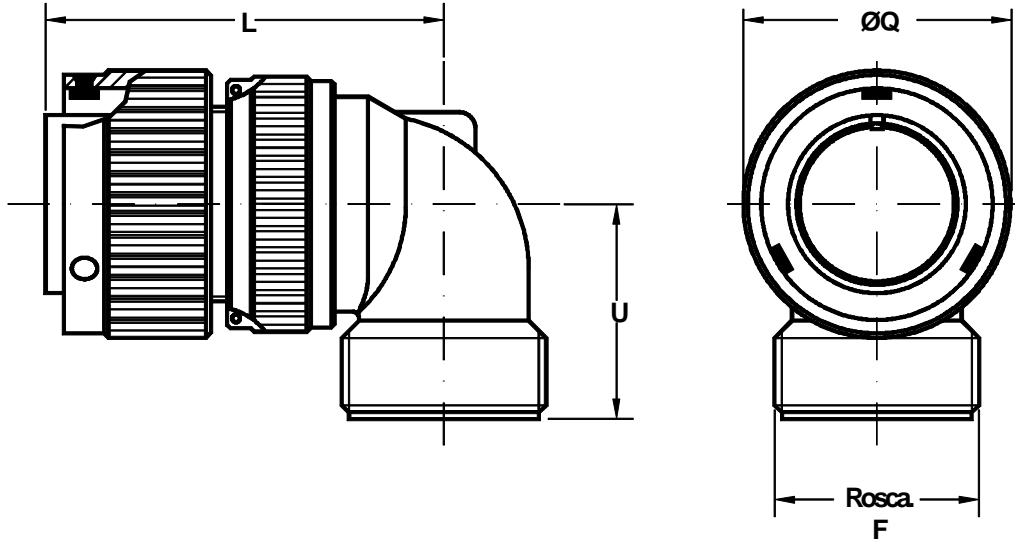
Ej. / Ex. : SCPB3106SP20-27P

Dimensiones del conector Shell size	ØB min.	Rosca C C thread	ØD ±0.2	ØE ±0.2	LL. J J key	L Max.	L1 ±0.1	ØQ ±0.2
10 SL	8.6	M16 x 1	18.5	22.0	20	52.0	13.5	22.6
14 S	10.7	M20 x 1	22.3	25.0	23	52.0	13.5	29.0
16 S	13.9	M23 x 1	25.3	28.0	26	52.0	14.6	31.6
16	13.9	M23 x 1	25.3	28.0	26	63.5	14.6	31.6
18	15.0	M26 x 1	28.0	30.0	28	63.5	14.6	36.2
20	18.8	M30 x 1	32.3	34.5	32	64.5	14.6	39.8
22	22.8	M32 x 1	34.3	38.0	36	64.5	14.6	43.0
24	25.4	M36 x 1	38.3	41.0	39	66.0	14.6	46.4
28	28.3	M39 x 1	41.2	48.0	46	66.0	14.6	53.0
32	35.0	M45 x 1	48.3	54.0	52	67.5	14.6	60.0
36	40.5	M52 x 1	55.0	61.0	58	68.0	15.5	66.2
40	48.0	M59 x 1	62.0	68.0	65	68.0	15.5	72.3

Conector aéreo recto.
Incluye zócalo estanco (grommet) y adaptador
inspeccionable para terminación de pantalla y
bota termorretráctil .

Straight plug.
Includes wire sealing grommet and backshell
with rotating clamp nut. Shielded cable is
terminated with a "braid trap" nut and heat
shrink tubing.

**Conector aéreo acodado
90° plug**



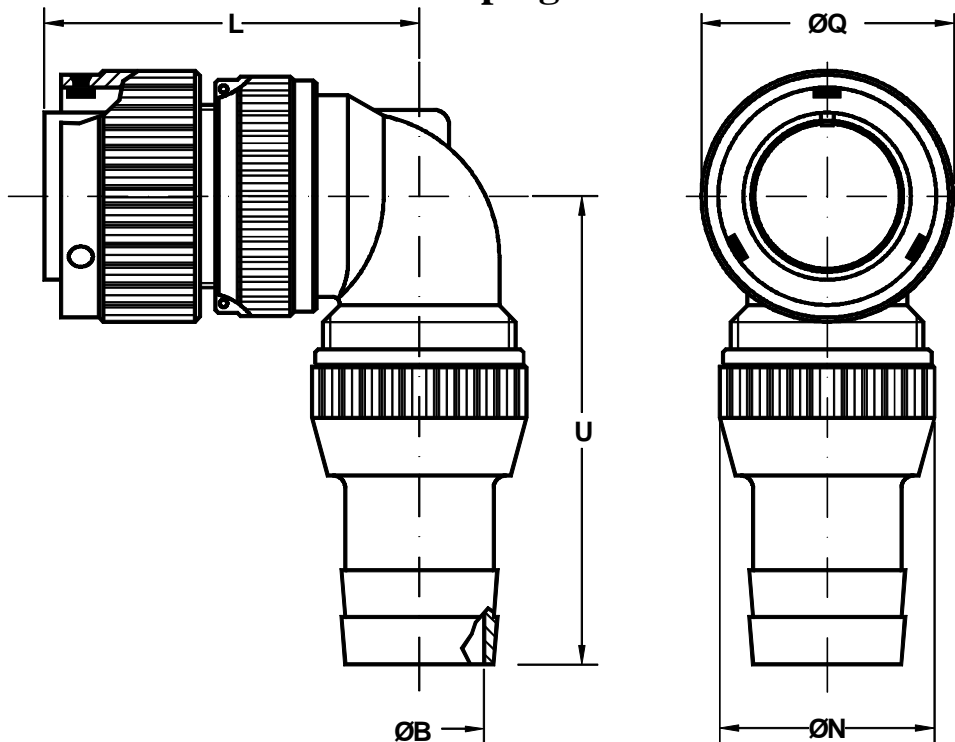
Ej./Ex. : SCPB3108A20-27P

Dimensiones del conector Shell size	Rosca V V thread	L Max.	ØQ ±0.2	U ±0.2
10 SL	0.6250 - 24UNEF-2A	40	22.6	25.0
14 S	0.7500 - 20UNEF-2A	42	29.0	26.5
16 S	0.8750 - 20UNEF-2A	46	31.6	27.0
16	0.8750 - 20UNEF-2A	55	31.6	27.0
18	1.0000 - 20UNEF-2A	57	36.2	30.0
20	1.1875 - 18UNEF-2A	62	39.8	32.0
22	1.1875 - 18UNEF-2A	62	43.0	32.0
24	1.4375 - 18UNEF-2A	67	46.4	37.0
28	1.4375 - 18UNEF-2A	67	53.0	38.0
32	1.7500 - 18UNS-2A	72	60.0	45.5
36	2.0000 - 18UNS-2A	75	66.2	47.2
40	2.2500 - 16UN-2A	78	72.3	52.0

Conector aéreo con salida de cable acodada a 90°. Incluye junta tórica (O-Ring) trasero. En la versión de clase R se incluye zócalo estanco (grommet).

Plug with 90° backshell.
R class includes a wire sealing grommet.

Conector aéreo acodado
90° plug



Ej./ Ex. : SCPB3108A20-27PBR2722

Dimensiones del conector Shell size	ØB ±0.1	L Max.	ØN	ØQ ±0.2	U Max.
10 SL	Ver tabla pagina 88 See the table on page 88	40	Ver tabla pagina 88 See the table on page 88	22.6	75.0
14 S		42		29.0	76.5
16 S		46		31.6	77.0
16		55		31.6	77.0
18		57		36.2	80.0
20		62		39.8	82.0
22		62		43.0	82.0
24		67		46.4	87.0
28		67		53.0	88.0
32		72		60.0	95.5
36		75		66.2	97.2
40		78		72.3	102.0

Conector aéreo con salida de cable acodada a 90°.

Incluye adaptador y terminación para tubo de goma UNI4883.

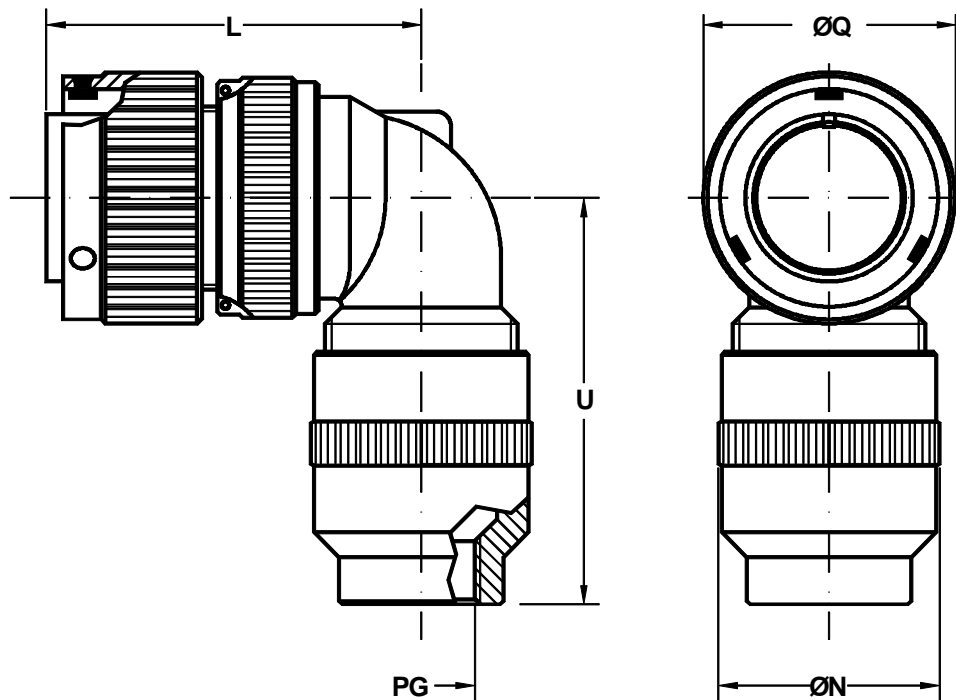
Zócalo estanco (grommet) no incluido.

Plug with 90° backshell.

Includes backshell and termination for UNI4883 rubber conduits.

No grommet supplied.

Conector aéreo acodado 90° plug



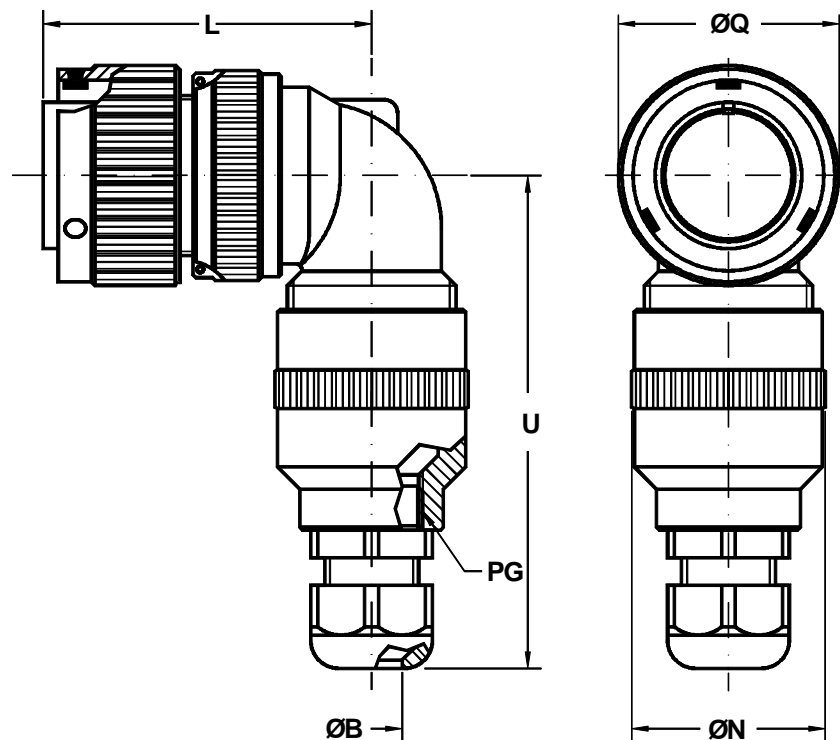
Ej./Ex. : SCPB3108A20-27PPG16

Dimensiones del conector Shell size	L Max.	ØN Max.	Rosca PG PG thread	ØQ ±0.2	U Max.
10 S L	40	25	7 / 9 / 11	22.6	50.0
14 S	42	26	11 / 16	29.0	51.0
16 S	46	26	11 / 16	31.6	51.5
16	55	26	11 / 16	31.6	51.5
18	57	33	11 / 13.5 / 16 / 21	36.2	54.5
20	62	43	16 / 21 / 29	39.8	56.5
22	62	43	16 / 21 / 29	43.0	56.5
24	67	45	16 / 21 / 29	46.4	61.5
28	67	45	16 / 21 / 29	53.0	62.5
32	72	51	21 / 29	60.0	75.0
36	75	58	21 / 29	66.2	82.7
40	78	63	21 / 29 / 36	72.3	87.5

Conector aéreo con salida de cable acodada a 90° con adaptador para acoplar prensaestopas PG (no incluido).
 Otros tipos de adaptadores PG, para diferentes tamaños están disponibles, bajo pedido.
 Zócalo estanco (grommet) no incluido.

Plug with 90° backshell and adaptor for use with PG cable glands (not included). Other types of PG adaptors can be supplied in various sizes upon request.
 No grommet supplied.

Conector aéreo acodado 90° plug



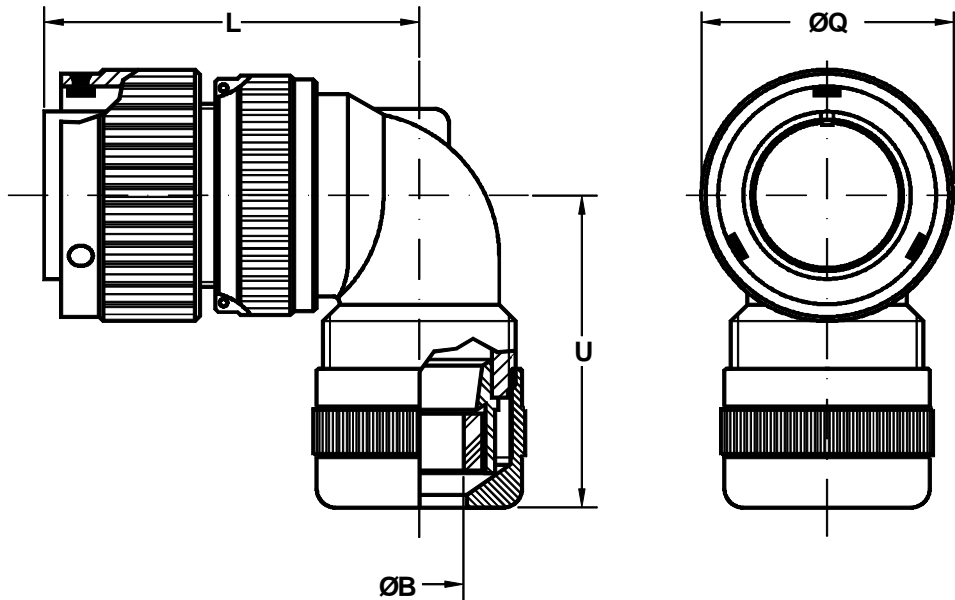
Ej./Ex. : SCPB3108A20-27PPH16

Dimensiones del conector Shell size	ØB min. ÷ Max.	L Max.	ØN Max.	Rosca PG PG thread	ØQ ±0.2	U Max.
10 S L	3÷6.5 / 4÷8 / 5÷10	40	25	7 / 9 / 11	22.6	80.0
14 S	5÷10 / 9÷14	42	26	11 / 16	29.0	82.0
16 S	5÷10 / 9÷14	46	26	11 / 16	31.6	82.5
16	5÷10 / 9÷14	55	26	11 / 16	31.6	82.5
18	5÷10 / 6÷12 / 9÷14 / 13÷18	57	33	11 / 13.5 / 16 / 21	36.2	89.5
20	9÷14 / 13÷18 / 15÷25	62	43	16 / 21 / 29	39.8	95.5
22	9÷14 / 13÷18 / 15÷25	62	43	16 / 21 / 29	43.0	95.5
24	9÷14 / 13÷18 / 15÷25	67	45	16 / 21 / 29	46.4	100.5
28	9÷14 / 13÷18 / 15÷25	67	45	16 / 21 / 29	53.0	101.5
32	13÷18 / 15÷25	72	51	21 / 29	60.0	114.0
36	13÷18 / 15÷25	75	58	21 / 29	66.2	121.7
40	13÷18 / 15÷25 / 20÷32	78	63	21 / 29 / 36	72.3	136.5

Conector acodado con salida de cable acodada a 90° con adaptador para acoplar prensaestopas PG (éste incluido). Otros tipos de adaptadores PG, para diferentes tamaños están disponibles, bajo pedido. Zócalo estanco (grommet) no incluido.

Plug with 90° backshell, adaptor and plastic PG cable gland.
Other types of PG adaptors can be supplied in various sizes upon request.
No grommet supplied.

Conector aéreo acodado 90° plug



Ej. / Ex. : SCPB3108A20-27PPHM11

Dimensiones del conector Shell size	P.N. PHM	Ø B min. ÷ Max.	L Max.	Ø Q ±0.2	U Max.
10 SL	11	2÷11	40	22.6	40.0
14 S	11	2÷11	42	29.0	41.5
16 S	11	2÷11	46	31.6	40.0
16	11	2÷11	55	31.6	40.0
18	11 / 18	2÷11 / 2÷16.5	57	36.2	47.0
20	11 / 18	2÷11 / 2÷16.5	62	39.8	49.0
22	18	2÷16.5	62	43.0	49.0
24	18 / 22 / 24	2÷16.5 / 15÷20 / 19÷24	67	46.4	58.0
28	18 / 22 / 24	2÷16.5 / 15÷20 / 19÷24	67	53.0	59.0
32	22 / 24	15÷20 / 19÷24	72	60.0	70.5
36	35	23÷35	75	66.2	72.2
40	35	23÷35	78	72.3	77.0

Conctor aéreo con salida de cable acodada a 90°.

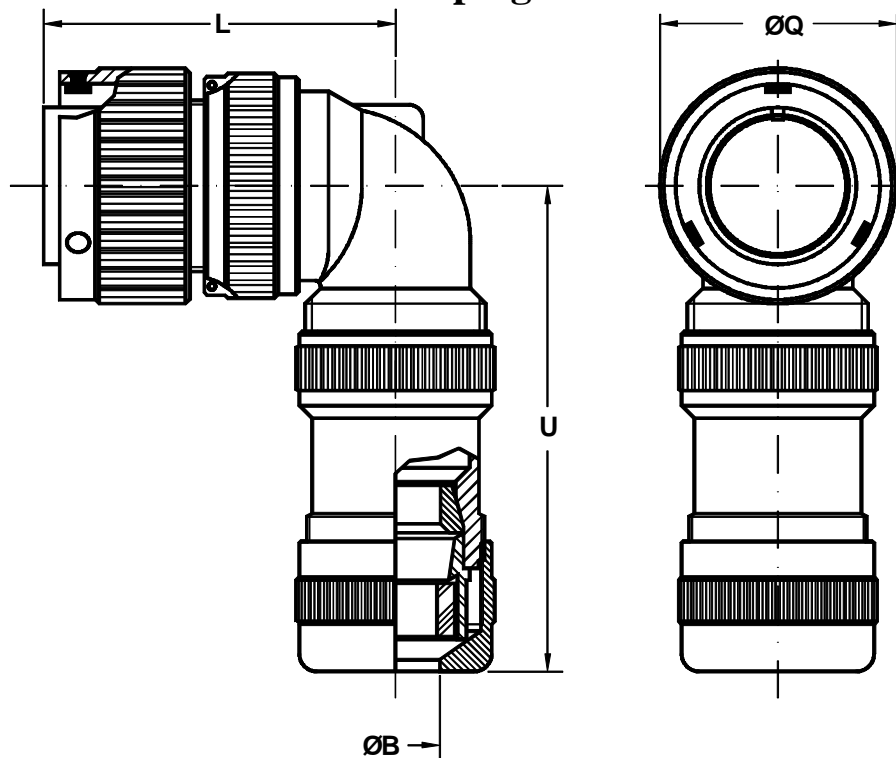
Incluye adaptador PHM que asegura una buena sujeción mecánica del cable y garantiza la mejor estanqueidad si se usan los manguitos de neopreno adecuados. Zócalo estanco (grommet) no incluido.

Plug with 90° backshell.

Includes a PHM cable clamp that assures an excellent mechanical and waterproof seal if used with the correct neoprene sealing sleeves.

No grommet supplied.

Conector aéreo acodado
90° plug



Ej./Ex. : SCPB3108A20-27PPHM11EMI

Dimensiones del conector Shell size	P.N. PHM	ØB min. ÷ Max.	L Max.	ØQ ±0.2	U Max.
10 SL	11	2÷11	40	22.6	60.0
14 S	11	2÷11	42	29.0	61.5
16 S	11	2÷11	46	31.6	60.0
16	11	2÷11	55	31.6	60.0
18	11 / 18	2÷11 / 2÷16.5	57	36.2	67.0
20	11 / 18	2÷11 / 2÷16.5	62	39.8	69.0
22	18	2÷16.5	62	43.0	69.0
24	18 / 22 / 24	2÷16.5 / 15÷20 / 19÷24	67	46.4	78.0
28	18 / 22 / 24	2÷16.5 / 15÷20 / 19÷24	67	53.0	79.0
32	22 / 24	15÷20 / 19÷24	72	60.0	90.5
36	35	23÷35	75	66.2	92.2
40	35	23÷35	78	72.3	97.0

Conector aéreo con salida de cable acodada a 90°.

Incluye adaptador PHM que asegura una buena sujeción mecánica para cables multipolares apantallados y garantiza la mejor estanqueidad empleando los manguitos de neopreno adecuados.

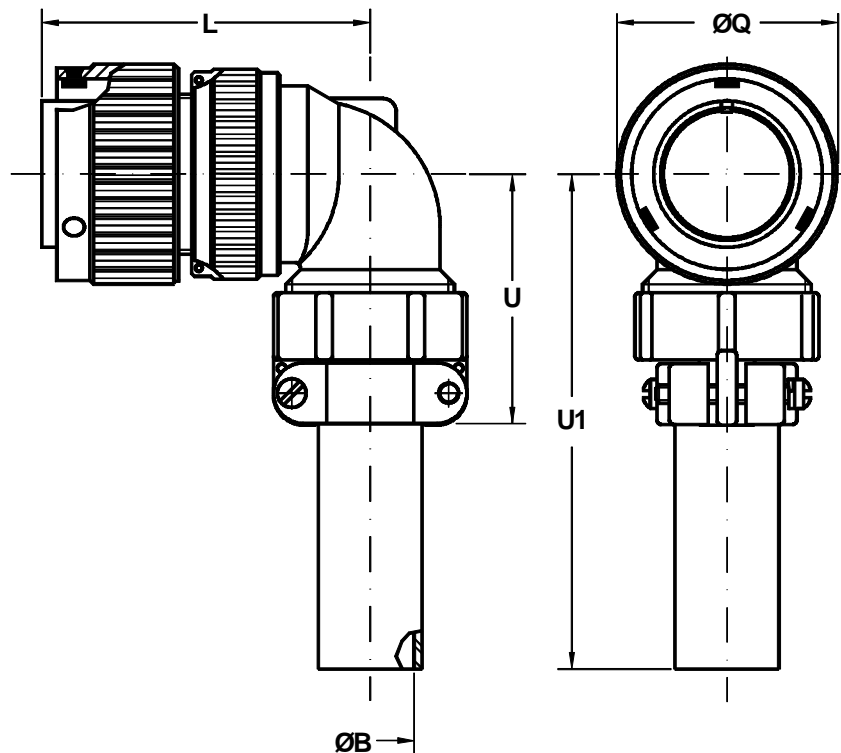
Zócalo estanco (grommet) no incluido.

Plug with 90° backshell.

Includes a PHM cable clamp that assures an excellent mechanical and waterproof seal with multipolar shielded cables if used with the correct neoprene sealing sleeves.

No grommet supplied.

**Conector aéreo acodado
90° plug**



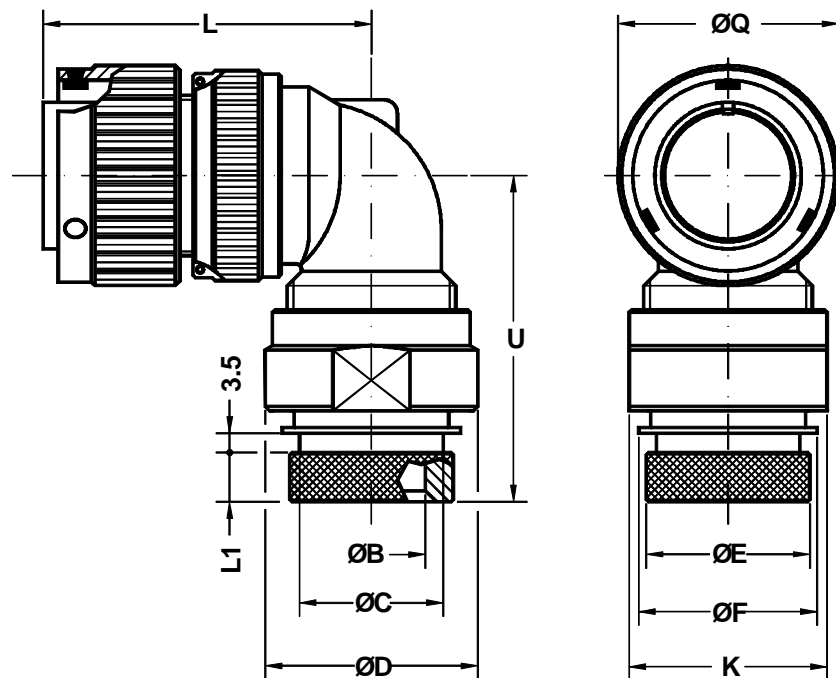
Ej. / Ex. : SCPB3108F20-27P

Dimensiones del conector Shell size	ØB ±0.1	L Max.	ØQ ±0.2	U Max.	U 1 Max.
10 SL	5.58	40	22.6	36.0	105
14 S	7.92	42	29.0	38.5	105
16 S	11.09	46	31.6	41.0	105
16	11.09	55	31.6	41.0	105
18	14.27	57	36.2	50.0	112
20	15.87	62	39.8	48.0	105
22	15.87	62	43.0	48.0	105
24	19.05	67	46.4	54.0	107
28	19.05	67	53.0	55.0	107
32	23.79	72	60.0	64.5	115
36	31.75	75	66.2	67.2	115
40	34.92	78	72.3	91.0	135

Conector aéreo con salida acodada a 90°. Incluye zócalo estanco (gommet), adaptador con mecanizado posterior, brida tipo A (MS3057) para cable y manguito reductor de neopreno.

Plug complete with a 90° backshell. Includes insulating grommet, class A cable clamp SCPB3057 and neoprene sleeve.

Conector aéreo acodado
90° plug



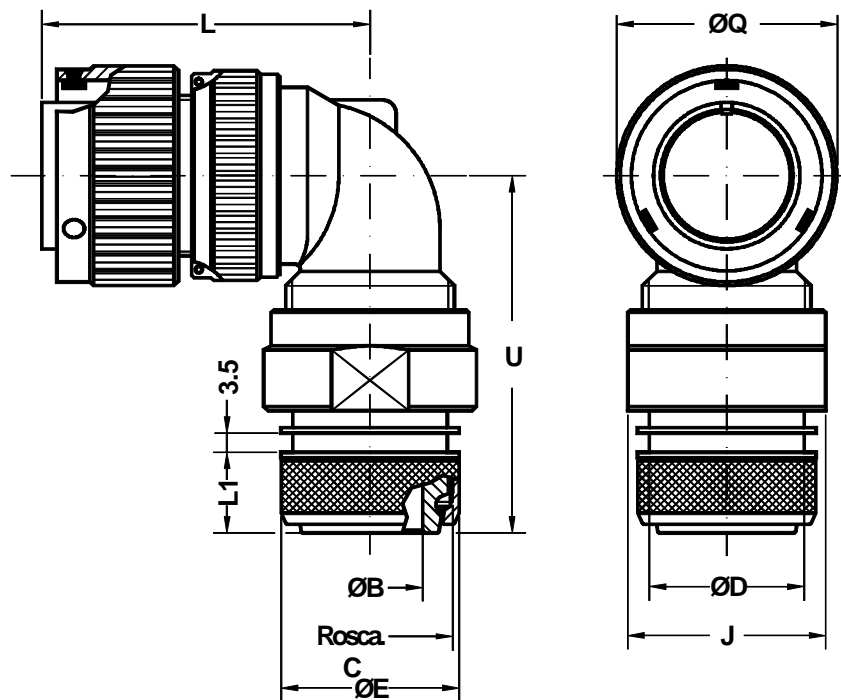
Ej./Ex. : SCPB3108GR20-27P

Dimensiones del conector Shell size	ØB min.	ØC ±0.1	ØD 0 -0.1	ØE ±0.2	ØF ±0.2	LL. K k key	L Max.	L1 Max.	ØQ ±0.2	U Max.
10 SL	8.5	13.0	22.0	15.5	17.0	20	40	8.2	22.6	51.0
14 S	12.0	16.5	25.0	19.1	20.1	23	42	8.2	29.0	52.5
16 S	14.5	21.5	28.0	23.9	23.5	26	46	8.2	31.6	53.0
16	14.5	21.5	28.0	23.9	23.5	26	55	8.0	31.6	50.0
18	17.5	21.7	31.0	23.9	26.5	29	57	8.0	36.2	56.0
20	19.5	26.0	36.0	29.6	30.5	34	62	8.9	39.8	57.5
22	22.0	26.0	38.0	29.6	33.6	36	62	8.9	43.0	57.5
24	25.0	34.5	41.0	37.8	36.1	39	67	9.2	46.4	62.5
28	29.0	34.5	48.0	37.8	41.4	46	67	9.2	53.0	64.5
32	34.0	43.6	54.0	47.8	48.6	52	72	11.7	60.0	72.0
36	38.5	43.6	61.0	47.8	54.8	59	75	11.7	66.2	76.0
40	48.0	52.6	68.0	57.8	60.9	66	78	11.7	72.3	81.0

Conector aéreo con salida acodada a 90°.
Incluye zócalo estanco (grommet) y adaptador
inspeccionable para bota termorretráctil.

Plug complete with a 90° backshell.
Includes wire sealing grommet and backshell
with rotating clamp nut for heat shrink tubing.

**Conector aéreo acodado
90° plug**



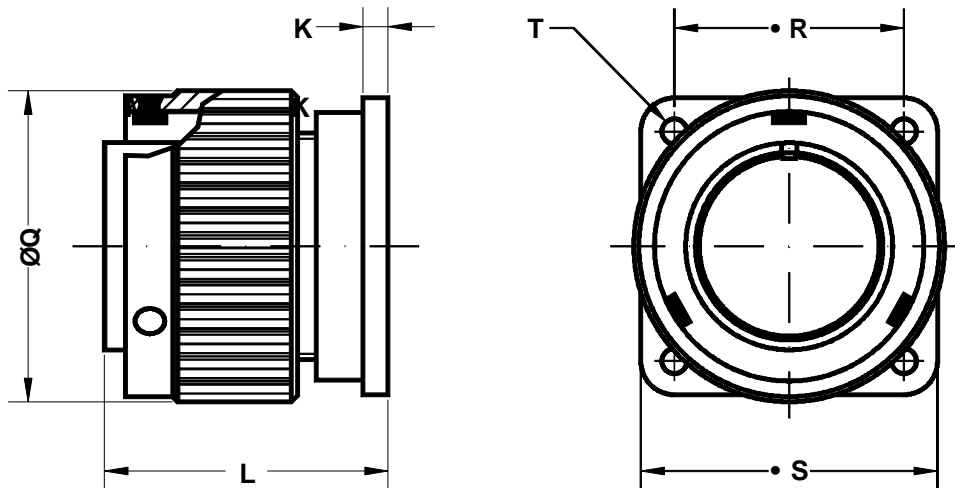
Ej. / Ex. : SCPB3108SP20-27P

Dimensiones del conector Shell size	ØB min.	Rosca C C thread	ØD ±0.1	ØE ±0.2	LL. J J key	L Max.	L1 ±0.1	ØQ ±0.2	U Max.
10 SL	8.6	M16 x 1	13.0	18.5	20	40	13.5	22.6	53.0
14 S	10.7	M20 x 1	16.5	22.3	23	42	13.5	29.0	54.5
16 S	13.9	M23 x 1	21.5	25.3	26	46	14.6	31.6	55.0
16	13.9	M23 x 1	21.5	25.3	26	55	14.6	31.6	57.0
18	15.0	M26 x 1	21.7	28.0	28	57	14.6	36.2	60.0
20	18.8	M30 x 1	26.0	32.3	32	62	14.6	39.8	63.0
22	22.8	M32 x 1	26.0	34.3	36	62	14.6	43.0	63.0
24	25.4	M36 x 1	34.5	38.3	39	67	14.6	46.4	68.0
28	28.3	M39 x 1	34.5	41.2	46	67	14.6	53.0	69.0
32	35.0	M45 x 1	43.6	48.3	52	72	14.6	60.0	76.5
36	40.5	M52 x 1	43.6	55.0	58	75	15.5	66.2	78.5
40	48.0	M59 x 1	52.6	62.0	65	78	15.5	72.3	83.0

Conector aéreo con salida acodada a 90°.
Incluye zócalo estanco (grommet) y adaptador
inspeccionable para terminación de pantalla y
bota termorretráctil .

Plug complete with a 90° backshell.
Includes wire sealing grommet and backshell
with rotating clamp nut.
Shielded cable is terminated with a "braid
trap" nut and heat shrink tubing .

Conector base de prolongación aérea
Box mounting plug



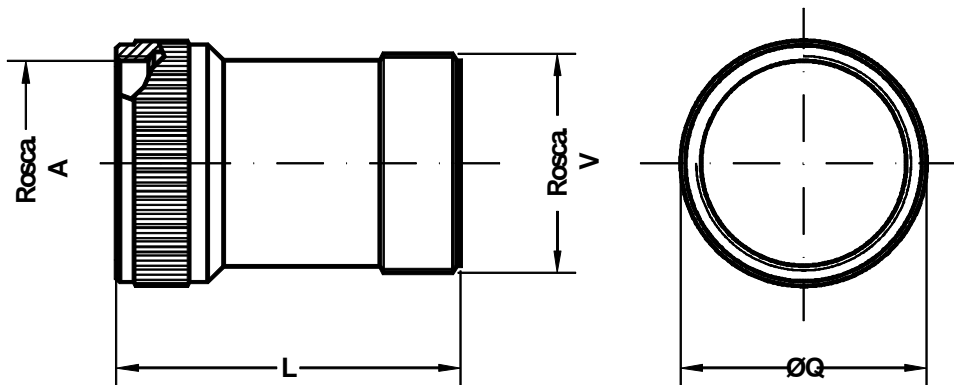
Ej./Ex. : SCPB3126A20-27P

Dimensiones del conector Shell size	K ±0.2	L Max.	ØQ ±0.2	R ±0.1	S +0.2	ØT +0.1 -0
10 SL	2.8	29.9	22.6	18.25	25.4	3.2
14 S	3.3	29.9	29.0	23.00	30.4	3.2
16 S	3.3	35.1	31.6	24.60	32.5	3.2
16	3.3	35.1	31.6	24.60	32.5	3.2
18	4.0	40.2	36.2	27.00	35.0	3.2
20	4.0	43.8	39.8	29.40	38.0	3.2
22	4.0	43.8	43.0	31.75	41.0	3.2
24	4.0	43.8	46.4	34.90	44.5	3.7
28	4.0	44.0	53.0	39.70	50.9	3.7
32	4.0	45.1	60.0	44.45	57.0	4.3
36	4.0	45.1	66.2	49.20	63.5	4.3
40	4.0	45.1	72.3	55.55	69.9	4.3

Conector para panel con tuerca de cierre a bayoneta.
Acoplamiento con conector SCPB3101... o SCPB4101...

Box mounting plug with coupling nut for SCPB3101... or SCPB4101... receptacles.

Cuello largo para conector aéreo
Long backshell for plug connectors

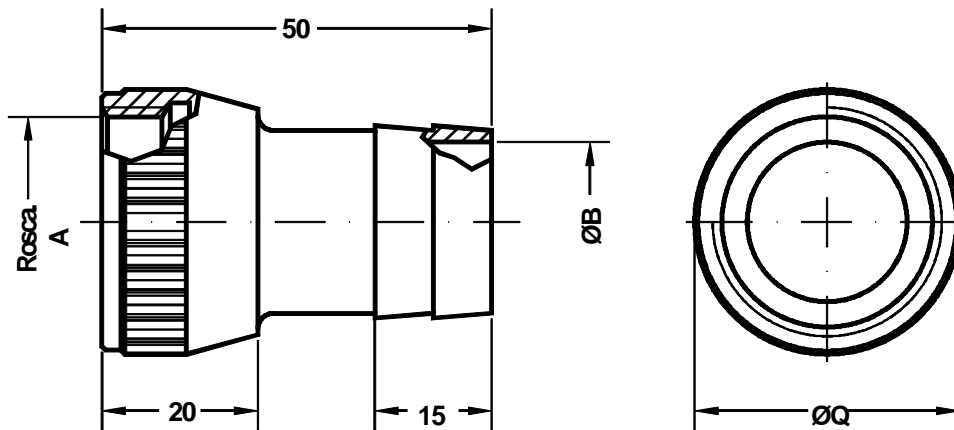


Codigo P/N	Dimensiones del conector Shell size	Rosca A (pul.) A thread (inch)	L Max.	Q ±0.2	Rosca V (pul.) V thread (inch)
SCPB 101393-123	10 SL	0.6250 - 24UNEF	50.0	20.0	0.6250 - 24UNEF
SCPB 101393-143	14 S	0.7500 - 20UNEF	50.0	23.0	0.7500 - 20UNEF
SCPB 101393-163	16 S	0.8750 - 20UNEF	50.0	25.0	0.8750 - 20UNEF
SCPB 101393-173	16	0.8750 - 20UNEF	54.0	25.0	0.8750 - 20UNEF
SCPB 101393-183	18	1.0000 - 20UNEF	56.0	29.5	1.0000 - 20UNEF
SCPB 101393-203	20	1.1250 - 18UNEF	56.0	32.0	1.1875 - 18UNEF
SCPB 101393-223	22	1.2500 - 18UNEF	56.0	35.0	1.1875 - 18UNEF
SCPB 101393-243	24	1.3750 - 18UNEF	56.0	38.5	1.4375 - 18UNEF
SCPB 101393-283	28	1.6250 - 18UNEF	61.0	45.0	1.4375 - 18UNEF
SCPB 101393-323	32	1.8750 - 16UN	61.0	53.2	1.7500 - 18UNS
SCPB 101393-363	36	2.0625 - 16UN	61.0	57.4	2.0000 - 18UNS
SCPB 101393-403	40	2.3125 - 16UN	61.0	63.2	2.2500 - 16UN

Sustituye la utilización del cuello standard.
Facilita el trabajo con cable multiconductor.
Disponibile para el uso con brida MS3057 -
XX A/B/C.

To make wiring easier a longer backshell is
available for use with cable clamp MS3057-
XX A/B/C.

Rácor BR BR adaptor

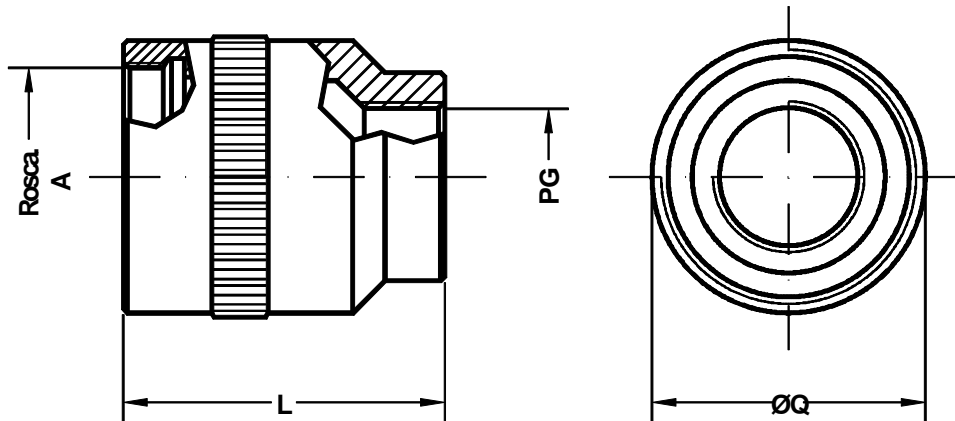


Codigo P/N	Dim. Conector Shell size	Rosca A (pul.) A thread (inch)	ØB ±0.1	ØQ ±0.2
SCP B 37267-10BR 1712	10SL	0.6250 - 24UNEF	10.5	20.0
SCP B 37267-18BR 2722	18	1.0000 - 20UNEF	20.5	30.0
SCP B 37267-20BR 1712	20 - 22	1.1875 - 18UNEF	10.5	34.0
SCP B 37267-20BR 2722	20 - 22	1.1875 - 18UNEF	20.5	34.0
SCP B 37267-20BR 2833	20 - 22	1.1875 - 18UNEF	31.5	42.0
SCP B 37267-28BR 2520	24 - 28	1.4375 - 18UNEF	16.5	45.0
SCP B 37267-28BR 2722	24 - 28	1.4375 - 18UNEF	20.5	45.0
SCP B 37267-28BR 3126	24 - 28	1.4375 - 18UNEF	22.5	45.0
SCP B 37267-28BR 3328	24 - 28	1.4375 - 18UNEF	26.5	45.0
SCP B 37267-28BR 3530	24 - 28	1.4375 - 18UNEF	26.5	45.0
SCP B 37267-28BR 3833	24 - 28	1.4375 - 18UNEF	31.5	45.0
SCP B 37267-28BR 5045	24 - 28	1.4375 - 18UNEF	36.2	45.0
SCP B 37267-32BR 3126	32	1.7500 - 18UNS	24.5	53.0
SCP B 37267-32BR 3328	32	1.7500 - 18UNS	26.5	53.0
SCP B 37267-32BR 3833	32	1.7500 - 18UNS	31.5	53.0
SCP B 37267-32BR 4035	32	1.7500 - 18UNS	31.5	53.0
SCP B 37267-32BR 5045	32	1.7500 - 18UNS	40.0	53.0
SCP B 37267-36BR 3530	36	2.0000 - 18UNS	26.5	57.4
SCP B 37267-36BR 3833	36	2.0000 - 18UNS	31.5	57.4
SCP B 37267-36BR 4035	36	2.0000 - 18UNS	31.5	57.4
SCP B 37267-36BR 5045	36	2.0000 - 18UNS	43.5	57.4
SCP B 37267-40BR 4136	40	2.2500 - 16UN	31.5	63.0
SCP B 37267-40BR 4540	40	2.2500 - 16UN	38.5	63.0
SCP B 37267-40BR 5045	40	2.2500 - 16UN	43.5	63.0
SCP B 37267-40BR 5550	40	2.2500 - 16UN	48.5	63.0

Terminación para tubo de goma UNI4883.

Termination for UNI4883 rubber conduits.

Rácor PG PG adaptor



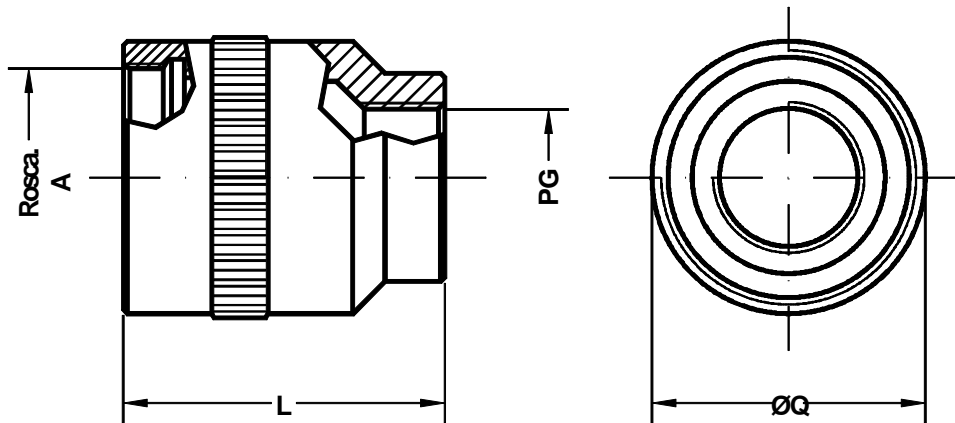
Ej./Ex. : SCPB101393-20PG16

Dimensiones del conector Shell Size	Rosca A (pul.) A thread (inch)	L Max.	Q Max.	Rosca PG (pul.) PG thread (inch)
10 SL	0.6250 - 24UNEF	30.0	22.5	7 / 9 / 11
14 S	0.7500 - 20UNEF	32.0	23.5	11 / 13.5
16 S	0.8750 - 20UNEF	32.0	25.5	9 / 11 / 16
16	0.8750 - 20UNEF	32.0	25.5	9 / 11 / 16
18	1.0000 - 20UNEF	40.0	30.5	9 / 11 / 16 / 21
20	1.1250 - 18UNEF	42.0	35.5	11 / 16 / 21
22	1.2500 - 18UNEF	42.0	35.5	13.5 / 16 / 21
24	1.3750 - 18UNEF	42.0	40.5	13.5 / 16 / 21 / 29
28	1.6250 - 18UNEF	47.0	45.5	16 / 21 / 29
32	1.8750 - 16UN	52.0	52.5	21 / 29
36	2.0625 - 16UN	57.0	60.0	21 / 29 / 36
40	2.3125 - 16UN	62.0	63.5	29 / 36

Adaptador para acoplar prensaestopas PG.
Para el uso en conectores aéreos rectos de clase A.

Adaptor for PG cable gland.
For use with class A straight plugs.

Rácor PG PG adaptor



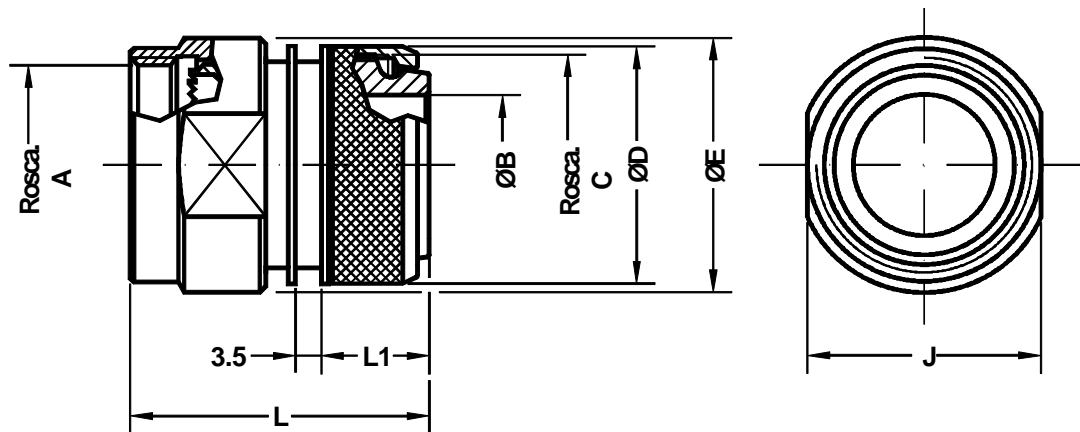
Ej. / Ex. : SCPB40581-20PG16

Dimensiones del conector Shell Size	Rosca A (pul.)	L Max.	Q Max.	Rosca PG (pul.)
	A thread (inch)			PG thread (inch)
10 SL	0.6250 - 24UNEF	30.0	22.5	7 / 9 / 11
14 S	0.7500 - 20UNEF	32.0	23.5	11 / 13.5
16 S	0.8750 - 20UNEF	32.0	25.5	9 / 11 / 16
16	0.8750 - 20UNEF	32.0	25.5	9 / 11 / 16
18	1.0000 - 20UNEF	40.0	30.5	9 / 11 / 16 / 21
20	1.1875 - 18UNEF	42.0	35.5	11 / 16 / 21
22	1.1875 - 18UNEF	42.0	35.5	13.5 / 16 / 21
24	1.4375 - 18UNEF	42.0	40.5	13.5 / 16 / 21 / 29
28	1.4375 - 18UNEF	47.0	45.5	16 / 21 / 29
32	1.7500 - 18UNS	52.0	52.5	21 / 29
36	2.0000 - 18UNS	57.0	60.0	21 / 29 / 36
40	2.2500 - 16UN	62.0	63.5	29 / 36

Adaptador para acoplar prensaestopas PG.
Para el uso en conectores acodados a 90° de
clase A.

Adaptor for PG cable gland.
For use with class A 90° plugs.

Cuello para conector aéreo Backshell for plug connectors

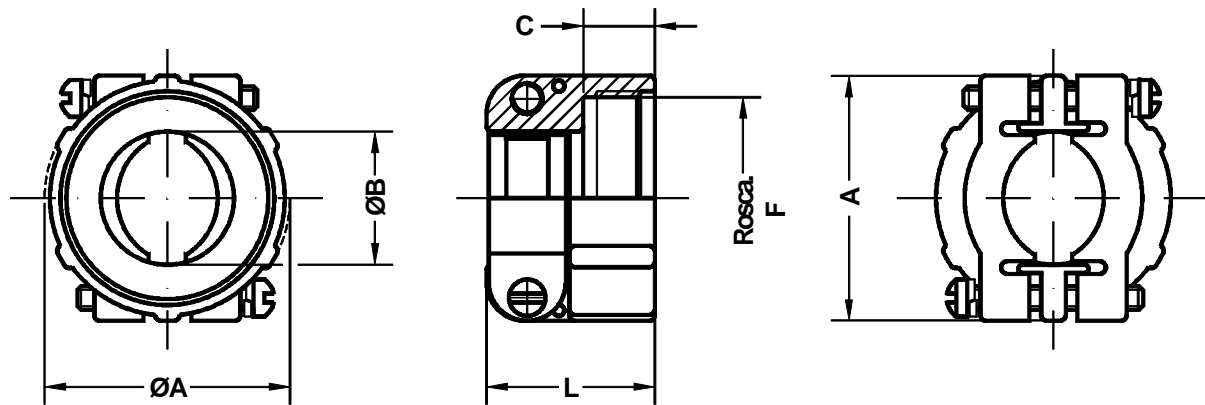


Codigo P/N	Dim. Conector Shell size	Rosca A (pul.) A thread (inch)	ØB min.	Rosca C C thread	ØD ±0.2	ØE ±0.2	LL. J J key	L Max.	L1 Max.
SCPB 37264-10SL	10 SL	0.6250 - 24UNEF	8.5	M16 x 1	18.5	22.0	20	35	13.5
SCPB 37264-14S	14 S	0.7500 - 20UNEF	12.0	M20 x 1	22.3	25.0	23	35	13.5
SCPB 37264-16S	16 S	0.8750 - 20UNEF	14.5	M23 x 1	25.3	28.0	26	35	14.6
SCPB 37264-16S	16	0.8750 - 20UNEF	14.5	M23 x 1	25.3	28.0	26	40	14.6
SCPB 37264-18	18	1.0000 - 20UNEF	17.5	M26 x 1	28.0	30.0	28	40	14.6
SCPB 37264-20	20	1.1250 - 18UNEF	19.5	M30 x 1	32.3	34.5	32	40	14.6
SCPB 37264-22	22	1.2500 - 18UNEF	22.0	M32 x 1	34.3	38.0	36	40	14.6
SCPB 37264-24	24	1.3750 - 18UNEF	25.0	M36 x 1	38.3	41.0	39	40	14.6
SCPB 37264-28	28	1.6250 - 18UNEF	29.0	M39 x 1	41.2	48.0	46	40	14.6
SCPB 37264-32	32	1.8750 - 16UN	34.0	M45 x 1	48.3	54.0	52	43	14.6
SCPB 37264-36	36	2.0625 - 16UN	38.5	M52 x 1	55.0	61.0	58	43	15.5
SCPB 37264-40	40	2.3125 - 16UN	48.0	M59 x 1	62.0	68.0	65	45	15.5

Adaptador inspeccionable para conector aéreo con terminación de pantalla y bota termorretráctil .

Backshell with rotating clamp nut for terminating shielded cable with a “braid trap” nut and heat shrink tubing.

Brida tipo A Cable clamp

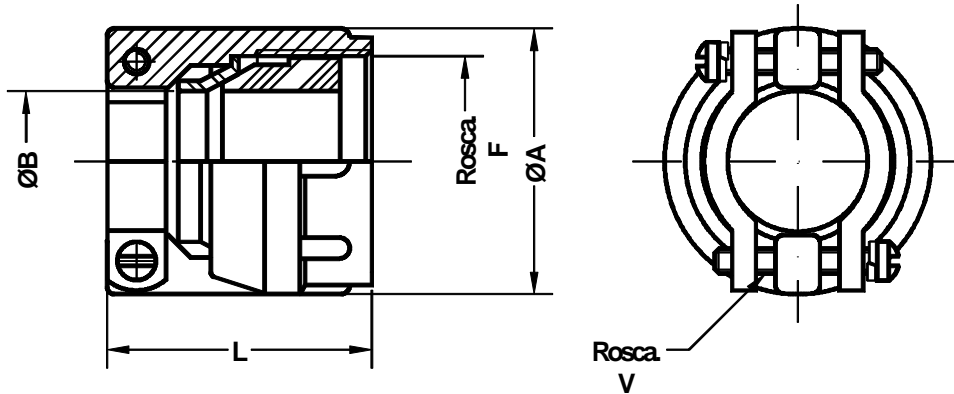


Codigo P/N	Dim. Conector Shell size	Manguito a utilizar Sleeve to use	A	B	C	Rosca F (pul.) F thread (inch)	L Max.
SCPB 3057- 4A	10 SL	IT 3420- 4	25	8.2	10.2	0.6250 - 24UNEF	21.0
SCPB 3057- 6A	14 S	IT 3420- 6	27	11.2	10.2	0.7500 - 20UNEF	22.2
SCPB 3057- 8A	16 S - 16	IT 3420- 8	28	14.2	10.2	0.8750 - 20UNEF	24.0
SCPB 3057-10A	18	IT 3420-10	33	16.0	10.2	1.0000 - 20UNEF	28.5
SCPB 3057-12A	20 - 22	IT 3420-12	35	19.0	10.2	1.1875 - 18UNEF	24.0
SCPB 3057-16A	24 - 28	IT 3420-16	43	23.8	10.5	1.4375 - 18UNEF	26.0
SCPB 3057-20A	32	IT 3420-20	51	31.7	12.5	1.7500 - 18UNS	28.0
SCPB 3057-24A	36	IT 3420-24	58	35.0	14.0	2.0000 - 18UNS	29.4
SCPB 3057-28A	40	IT 3420-28	65	41.2	14.0	2.2500 - 16UN	42.8

Brida de uso general para sujeción mecánica de cables multipolares con o sin cubierta.

General duty cable clamp suitable for jacketed or multipolar cable or wires protected by tubing.

Brida tipo C Cable clamp

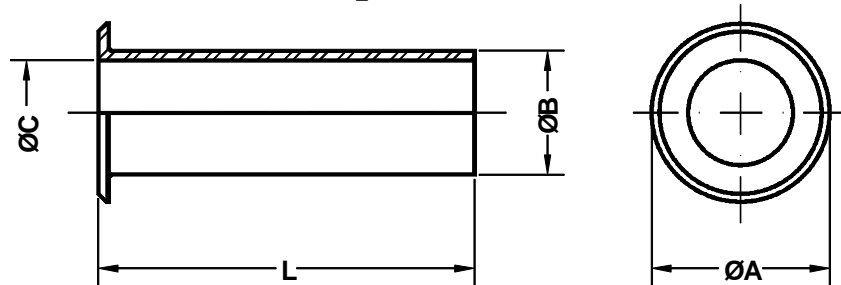


Codigo P/N	Dim. Rosca Shell size	Manguito a utilizar Sleeve to use	A	B		Rosca F (pul.) F thread (inch)	L	Rosca V V thread
				min.	Max.			
SCPB3057- 4C	10 SL	IT 3420 - 4A	22.6	2.38	7.93	0.6250 - 24UNEF	32.3	6 - 32NC
SCPB 3057- 6C	14 S	IT 3420 - 4A / 6A	25.8	5.84	11.12	0.7500 - 20UNEF	32.3	6 - 32NC
SCPB 3057- 8C	16 S - 16	IT 3420 - 6A / 8A	28.1	8.00	13.84	0.8750 - 20UNEF	32.3	6 - 32NC
SCPB 3057-10C	18	IT 3420 - 6A / 10A	31.0	9.60	15.87	1.0000 - 20UNEF	35.3	6 - 32NC
SCPB 3057-12C	20 - 22	IT 3420 - 8A / 12A	37.3	11.30	19.00	1.1875 - 18UNEF	35.7	8 - 32NC
SCPB 3057-16C	24 - 28	IT 3420 - 8A / 12A / 16A	42.0	15.50	23.80	1.4375 - 18UNEF	38.5	8 - 32NC
SCPB 3057-20C	32	IT 3420 - 12A / 16A / 20A	54.0	23.40	31.75	1.7500 - 18UNS	44.8	250 - 20NC
SCPB 3057-24C	36	IT 3420 - 16A / 18A / 24A	57.1	23.40	35.00	2.0000 - 18UNS	51.6	250 - 20NC
SCPB 3057-28C	40	IT 3420 - 16A / 20A / 28A	63.5	29.90	41.25	2.2500 - 16UN	51.6	250 - 20NC

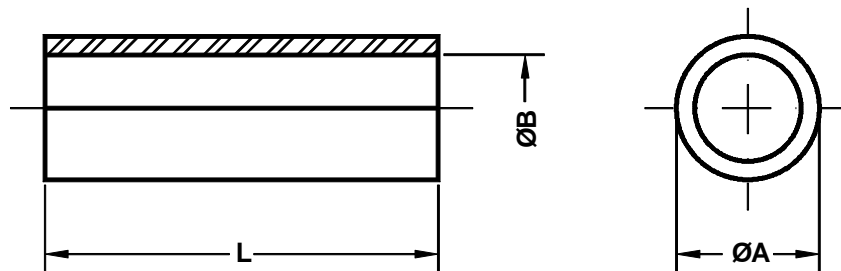
Brida de uso general para sujeción mecánica de cables con cubierta ó protegidos con tubo.
Asegura estanqueidad en la parte trasera del conector.

Waterproof cable clamp suitable for jacketed cable or wires protected by tubing. Assures watertight integrity of connector.

Manguito de neopreno
Neoprene sleeve



Codigo P /N	A ±0.1	B ±0.1	C ±0.1	L ±0.1
SCP B3420 - 4	12.8	7.67	5.58	69.8
SCP B3420 - 6	15.7	10.84	7.92	66.8
SCP B3420 - 8	18.8	14.02	11.09	63.5
SCP B3420 - 10	22.0	15.62	14.27	60.3
SCP B3420 - 12	27.0	18.79	15.87	57.1
SCP B3420 - 16	33.3	23.54	19.05	53.9
SCP B3420 - 20	40.5	31.49	23.79	50.8
SCP B3420 - 24	46.9	34.67	31.75	47.6
SCP B3420 - 28	52.9	40.99	34.92	44.4



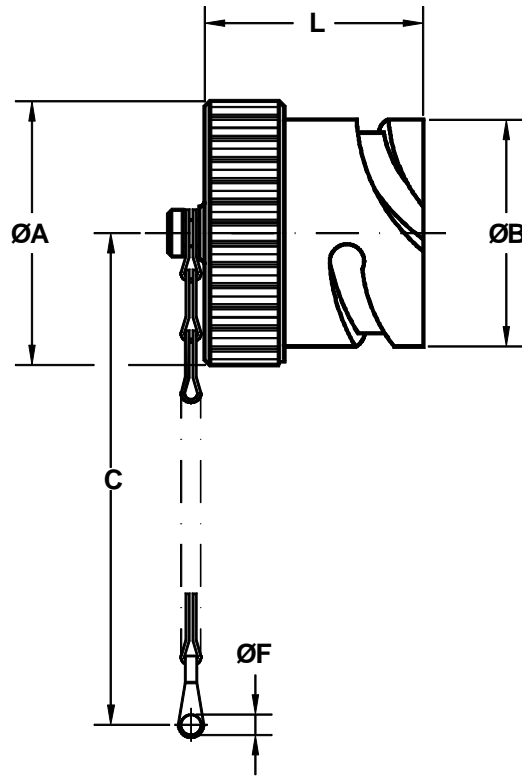
Codigo P /N	A ±0.1	B ±0.1	L ±0.1
SCP B3420 - 4A	7.63	5.56	50.5
SCP B3420 - 6A	10.50	7.93	50.5
SCP B3420 - 8A	13.50	11.10	50.5
SCP B3420 - 10A	15.70	11.10	50.5
SCP B3420 - 12A	18.50	13.74	50.9
SCP B3420 - 16A	23.60	19.00	50.9
SCP B3420 - 20A	31.10	23.80	50.2
SCP B3420 - 24A	33.90	28.50	51.1
SCP B3420 - 28A	40.60	31.80	50.2
SCP B3420 - 29A	45.00	41.00	50.5

MS3420-XX : Manguito de protección y reducción a utilizar con brida calse A.
MS3420-XXA : Manguito de protección y reducción a utilizar con brida calse C.

SCP B3420-XX : Neoprene sleeve for protection and reduction, used with calss A cable clamps.

SCP B3420-XXA : Neoprene sleeve for protection and reduction, used with class C cable clamps.

Tapón a bayoneta para conector aéreo
Cap for plug connectors

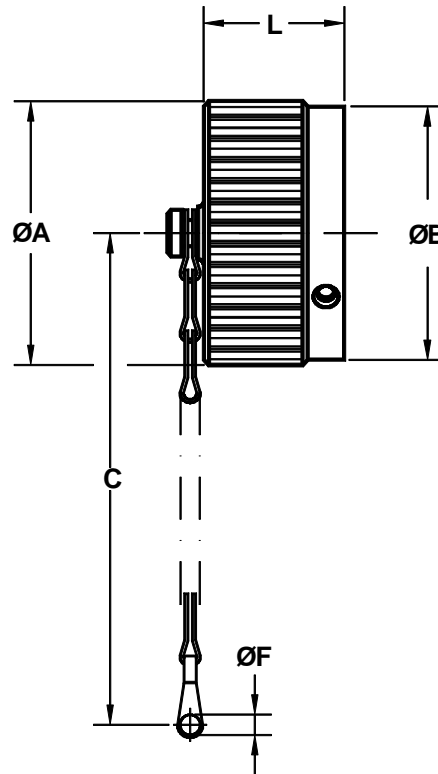


Codigo Part Number	Conector Connector size	ØA Max	ØB ±0.1	C min	ØF +0.2 -0	L Max
SCPB 06T-10	10SL	22.7	18.2	108	4.3	24.0
SCPB 06T-14	14S	30.0	24.6	123	4.3	24.0
SCPB 06T-16	16S	32.5	27.4	123	4.3	24.0
SCPB 06T-17	16	32.5	27.4	123	4.3	33.0
SCPB 06T-18	18	36.4	30.8	123	4.3	33.0
SCPB 06T-20	20	40.5	34.2	138	4.8	33.0
SCPB 06T-22	22	43.5	37.4	138	4.8	33.0
SCPB 06T-24	24	46.5	40.9	138	4.8	33.0
SCPB 06T-28	28	54.0	46.7	206	4.8	33.0
SCPB 06T-32	32	60.0	53.4	206	5.6	34.2
SCPB 06T-36	36	66.2	59.6	206	5.6	34.2
SCPB 06T-40	40	73.0	65.5	206	5.6	34.2

Tapón metálico con cadena de acero inoxidable.

Metal cap with stainless steel chain .

Tapón a bayoneta para conector de panel Cap for receptacle connectors

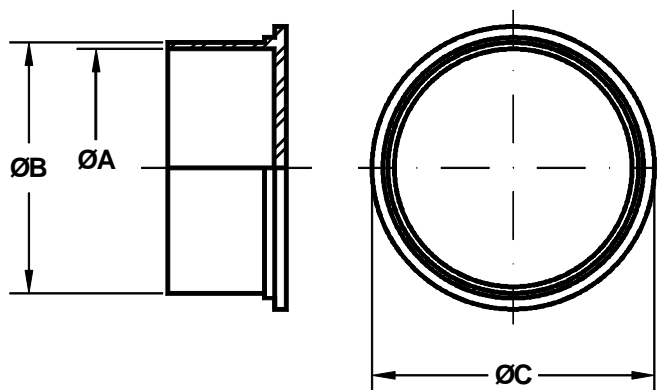


Codigo Part Number	Conector Connector size	ØA Max	ØB ±0.1	C min	ØF +0.2 -0	L Max
SCPB 02T-10	10SL	22.7	22.4	108	4.3	15.5
SCPB 02T-14	14S	29.1	28.8	108	4.3	15.5
SCPB 02T-16	16S	32.5	31.6	108	4.3	15.5
SCPB 02T-17	16	32.5	31.6	123	4.3	21.2
SCPB 02T-18	18	36.4	35.1	123	4.3	21.2
SCPB 02T-20	20	39.8	38.5	123	4.3	21.2
SCPB 02T-22	22	43.0	41.7	123	4.3	21.2
SCPB 02T-24	24	46.5	45.2	123	4.3	21.2
SCPB 02T-28	28	53.3	52.0	206	5.6	21.2
SCPB 02T-32	32	60.0	58.7	206	5.6	21.2
SCPB 02T-36	36	66.2	64.9	206	5.6	21.2
SCPB 02T-40	40	72.3	71.3	206	5.6	21.2

Tapón metálico com cadena de acero
inoxidable.

Metal cap with stainless steel chain .

Tapón de plástico antipolvo Protective plastic cap



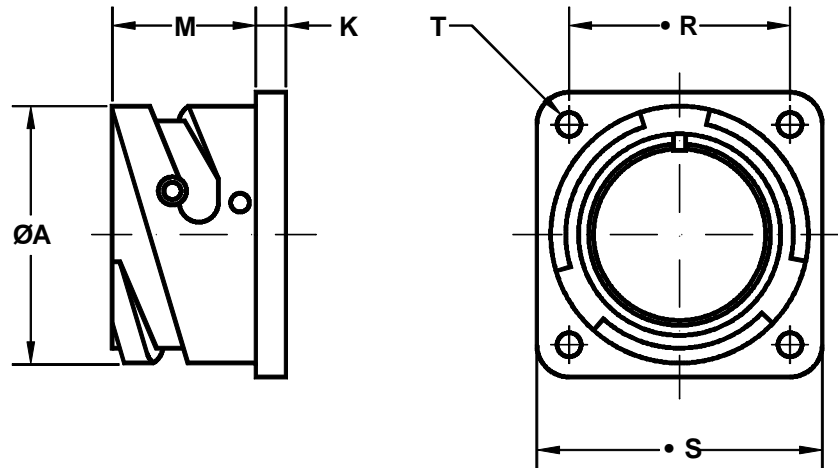
Código P.N.	Dimens. conector Shell size	Ø A ±0.25	Ø B ±0.25	Ø C ±0.78
TP02-10SL	Receptacle 10SL	18.00	20.60	25.00
TP02-14S	Receptacle 14S	24.40	27.05	30.00
SCP B 90376-18Y	Receptacle 16S - 16	26.11	27.63	31.75
TP02-18	Receptacle 18	30.40	33.15	37.00
SCP B 90376-22R	Receptacle 20	34.04	35.81	40.38
SCP B 90376-24R	Receptacle 22	37.16	38.94	43.18
TP02-24	Receptacle 24	40.65	43.20	47.00
TP02-28	Receptacle 28	46.45	49.05	52.00
TP02-32	Receptacle 32	53.15	55.75	60.00
TP02-36	Receptacle 36	59.35	61.95	66.00
TP02-40	Receptacle 40	65.25	67.85	72.00

Código P.N.	Dimens. Conector Shell size	Ø A ±0.25	Ø B ±0.25	Ø C ±0.78
SCP B 90376-10R	Plug 10SL	15.37	16.89	21.33
SCP B 90376-14R	Plug 14S	21.59	22.99	28.57
SCP B 90376-16R	Plug 16S - 16	23.80	26.29	30.99
SCP B 90376-18R	Plug 18	27.76	29.34	33.78
SCP B 90376-20R	Plug 20	31.28	33.04	37.21
SCP B 90376-22R	Plug 22	34.04	35.81	40.38
SCP B 90376-24R	Plug 24	37.16	38.94	43.18
SCP B 90376-28R	Plug 28	43.56	45.46	49.53
SCP B 90376-32R	Plug 32	49.91	51.82	56.39
SCP B 90376-36R	Plug 36	56.26	58.16	61.85
SCP B 90376-40R	Plug 40	61.98	64.26	67.56

Tapón de protección contra el polvo.

Cap for protection against dust.

Conector de reposo para panel Dummy receptacle



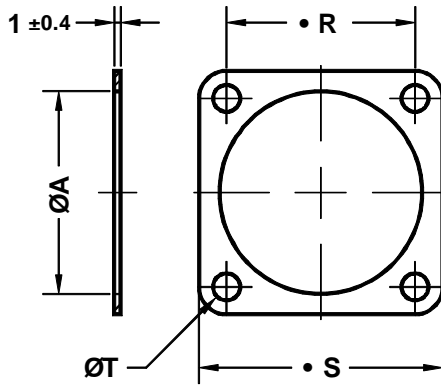
Ej./Ex. : SCPB05-20

Dimensiones Conector Shell size	$\varnothing A$ +0 -0.1	K ± 0.2	M +0.2 -0	R ± 0.1	S +0.2	$\varnothing T$ +0.1 -0
10 S L	18.2	2.8	14.3	18.25	25.4	3.2
14 S	24.5	3.3	14.5	23.00	30.4	3.2
16 S	27.2	3.3	14.5	24.60	32.5	3.2
16	27.2	3.3	19.1	24.60	32.5	3.2
18	30.7	4.0	19.1	27.00	35.0	3.2
20	34.0	4.0	19.1	29.40	38.0	3.2
22	37.3	4.0	19.6	31.75	41.0	3.2
24	40.9	4.0	20.6	34.90	44.5	3.7
28	46.7	4.0	20.7	39.70	50.9	3.7
32	53.4	4.0	22.3	44.45	57.0	4.3
36	59.6	4.0	22.3	49.20	63.5	4.3
40	65.5	4.0	22.3	55.55	69.9	4.3

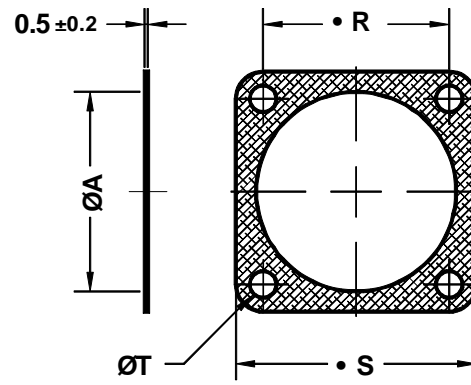
Conector de panel vacío, para acoplar un conector cableado cuando no está en uso y así protegerlo de golpes, suciedad, etc.

Dummy receptacle.
Protects the plug connector when not in use.

Junta para conector base de montaje frontal en panel
Gasket for fixed connectors



SCPB 40450-XX



SCPB 40450-XXS

Código P / N	Dim. Conector Shell size	Ø A +1	R ±0.2	S ±0.5	Ø T +0.5
SCP B 40450 - 10	10SL	15.7	18.2	25.4	4.2
SCP B 40450 - 14	14S	22.1	23.0	30.0	4.2
SCP B 40450 - 16	16S - 16	25.3	24.6	32.5	4.2
SCP B 40450 - 18	18	28.4	27.0	35.0	4.2
SCP B 40450 - 20	20	31.6	29.4	38.0	4.2
SCP B 40450 - 22	22	34.8	31.8	41.0	4.2
SCP B 40450 - 24	24	38.0	34.9	44.5	4.2
SCP B 40450 - 28	28	44.3	39.7	50.8	5.1
SCP B 40450 - 32	32	50.7	44.5	57.0	5.1
SCP B 40450 - 36	36	57.0	49.2	63.5	5.1
SCP B 40450 - 40	40	61.9	55.5	69.9	5.1

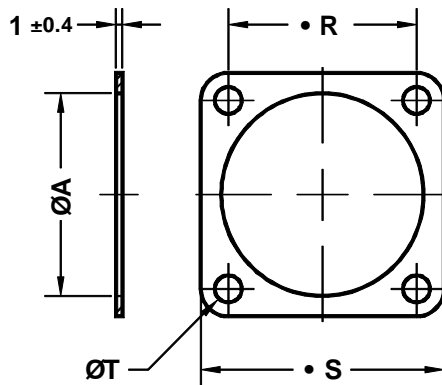
Junta plana para conector con base cuadrada y montaje frontal en panel.

SCP B40450-XX : no conductiva,
SCP B40450-XXS : conductiva.

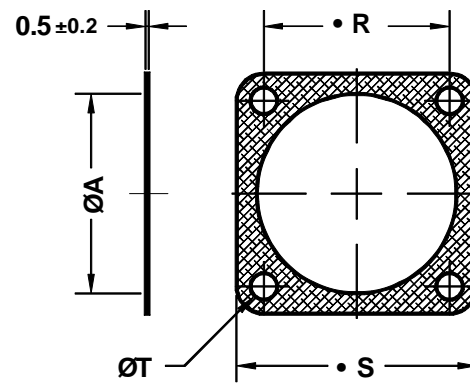
Gasket for square flange receptacle for front panel mounting.

SCP B40450-XX : non conductive,
SCP B40450-XXS : conductive.

Junta para conector base de montaje trasero en panel
Gasket for fixed connectors



SCPB 40460-XX



SCPB 40460-XXS

Codigo P / N	Dim. Conector Shell size	Ø A + 0.3	R ± 0.2	S ± 0.5	Ø T + 0.5
SCP B 40460 - 10	10SL	18.2	18.2	25.4	4.2
SCP B 40460 - 14	14S	24.6	23.0	30.0	4.2
SCP B 40460 - 16	16S - 16	27.4	24.6	32.5	4.2
SCP B 40460 - 18	18	30.8	27.0	35.0	4.2
SCP B 40460 - 20	20	34.2	29.4	38.0	4.2
SCP B 40460 - 22	22	37.4	31.8	41.0	4.2
SCP B 40460 - 24	24	40.9	34.9	44.5	4.2
SCP B 40460 - 28	28	46.7	39.7	50.8	5.1
SCP B 40460 - 32	32	53.4	44.5	57.0	5.1
SCP B 40460 - 36	36	59.6	49.2	63.5	5.1
SCP B 40460 - 40	40	65.5	55.5	69.9	5.1

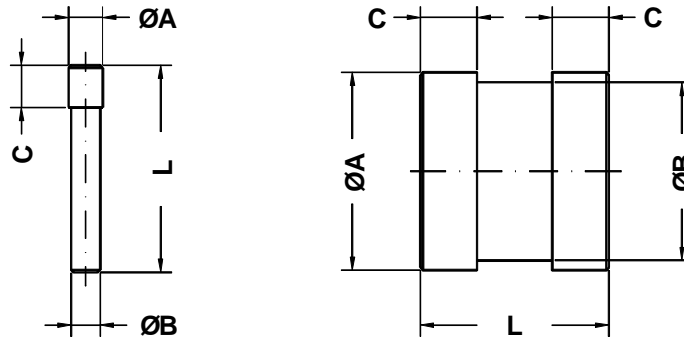
Junta plana para conector con base cuadrada y montaje trasero en panel.

SCP40460 : non conductiva,
SCP40460-XXS : conductiva.

Gasket for square flange receptacle for rear panel mounting.

SCP40460-XX : non conductive,
SCP40460-XXS : conductive.

Obturador Wire hole plug



10-305045-16

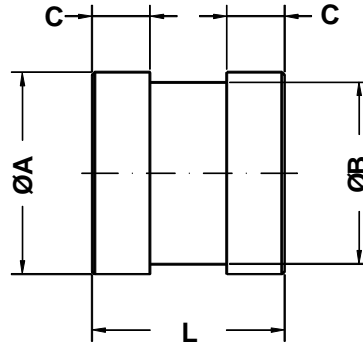
Otros / Others

Código P /N	Dim. Contacto Contact size	Ø A	Ø B	C	L	Color Color
10 - 305045 - 16	16S - 16	2.6	2.2	3.2	15.7	Azul /Blue
10 - 101033 - 13	12	4.6	3.7	3.2	11.9	Amarillo /Yellow
10 - 305045 - 8	8	7.6	6.4	3.1	11.8	Blanco /W hite
10 - 305045 - 4	4	10.9	9.7	3.1	11.8	Verde /G reen
10 - 305045 - 0	0	15.0	13.5	4.3	14.3	Negro /Black
10 - 305045 - 01	0M	16.0	14.5	4.3	14.5	Negro /Black

Obturador. Su función es la de sellar alojamientos del inserto no utilizados.

Wire hole plugs for sealing unused contact cavities of the insert.

Obturador Wire hole plug



Código P/N	Dim. Contacto Contact size	$\varnothing A$	$\varnothing B$	C	L	Color Color
10 - 101033 - 12	16S - 16	3.7	2.8	3.2	11.9	Azul /Blue
10 - 101033 - 13	12	4.6	3.7	3.2	11.9	Amarillo /Yellow
10 - 101033 - 14	8	5.8	5.0	3.2	11.9	Blanco /White
10 - 101033 - 15	4	8.5	7.6	3.2	11.9	Verde /Green
10 - 101033 - 16	0	13.5	12.8	3.2	11.9	Negro /Black

Obturador. Su función es la de sellar alojamientos del zócalo aislante (grommet) no utilizados.

Wire hole plugs for sealing unused contact cavities of the grommet.