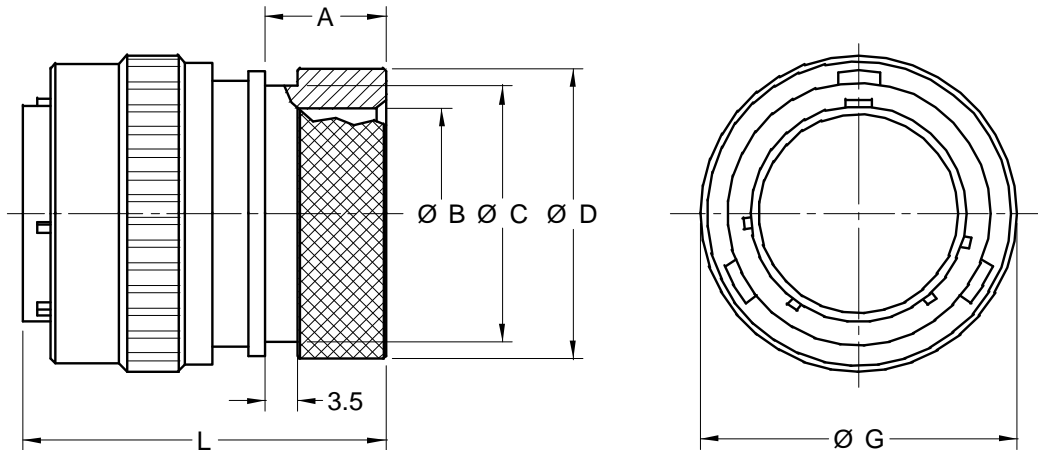


Conector aéreo recto
Straight plug



Tamaño Size	A	ØB +0.1 -0	ØC +0 -0.1	ØD +0 -0.3	L Max.	ØG Max.
8	12.2	8.20	13.0	15.5	39	19,05
10	12.2	11.40	15.8	18.3	39	21.80
12	12.2	14.55	21.0	23.6	39	26.20
14	12.2	17.50	21.8	24.4	39	29.40
16	14.5	20.60	25.9	29.7	42	32.55
18	14.5	23.15	28.2	31.9	42	35.35
20	15.8	26.50	32.2	36.0	47	38.90
22	15.8	29.60	34.5	38.4	47	42.10
24	14.9	32.80	37.6	41.5	47	45.10

Conector aéreo recto.
Suministrado con grommet (Zócalo de goma) y cuello para terminación termorretráctil. (bota recta acodada)

Straight plug with sealing grommet and backshell for heat shrink.(boot)