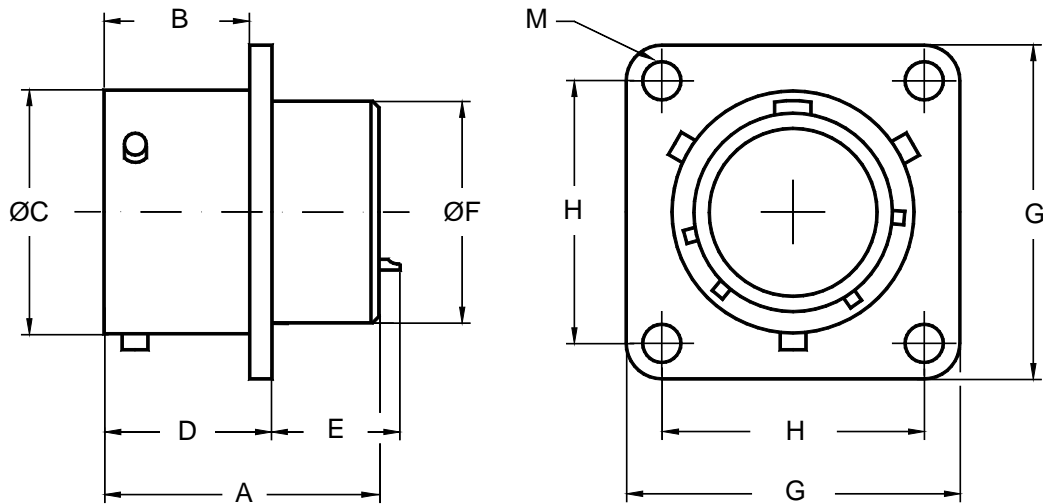


Conector base para panel Box mounting receptacle



Tamaño del conector Shell size	A Max.	B +0.25 -0	C +0.02 -0.12	D +0.6 -0.25	E Max.	F Max.	G ±0.4	H ±0.1	M ±0.12
8	21.0	10.95	12.01	12.5	11.8	11.40	20.6	15.10	3.04
10	21.0	10.95	14.98	12.5	11.8	14.55	23.8	18.25	3.04
12	21.0	10.95	19.05	12.5	11.8	17.75	26.2	20.60	3.04
14	21.0	10.95	22.22	12.5	11.8	20.90	28.6	23.00	3.04
16	21.0	10.95	25.40	12.5	11.8	24.10	31.0	24.60	3.04
18	21.0	10.95	28.57	12.5	11.8	27.25	33.3	27.00	3.04
20	27.4	14.10	31.75	16.5	13.4	30.45	36.5	29.35	3.04
22	27.4	14.10	34.92	16.5	13.4	33.60	39.7	31.75	3.04
24	28.2	15.00	38.10	17.3	12.5	36.80	42.9	34.90	3.73

Conector base par panel.
No admite roscar ningún accesorio.

Box mounting receptacle.
No rear accessory threads.