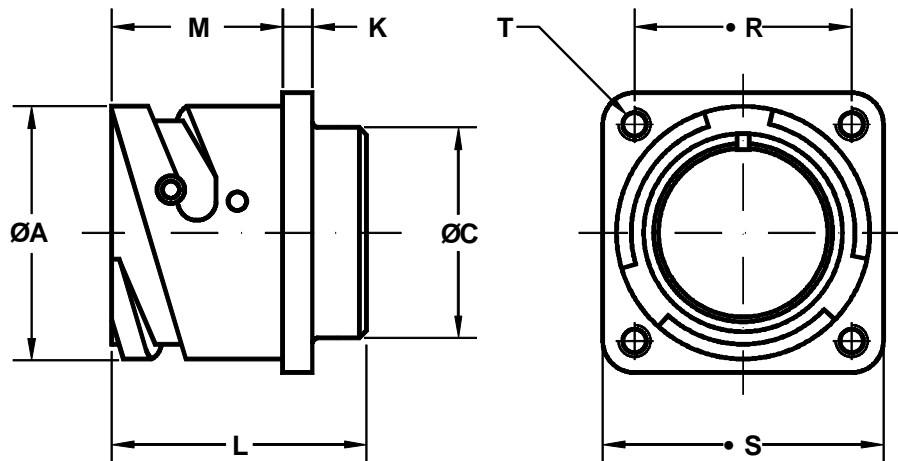


**Conector de base cuadrada para montaje trasero en panel**  
**Box mounting receptacle**



Ej./ Ex. : SCPB3103A20-27P

Dimensiones del conector Shell size	ØA 0 -0.1	ØC Max.	K ±0.2	L Max.	M +0.2 0	R ±0.1	S +0.2	Rosca T T thread
10 S L	18.2	16.2	2.8	24.7	18.5	18.25	25.4	M4
14 S	24.5	19.2	3.3	24.7	18.5	23.00	30.4	M4
16 S	27.2	22.4	3.3	24.7	18.5	24.60	32.5	M4
16	27.2	22.4	3.3	33.8	23.2	24.60	32.5	M4
18	30.7	25.6	4.0	34.2	23.2	27.00	35.0	M4
20	34.0	29.0	4.0	34.5	23.2	29.40	38.0	M4
22	37.3	32.2	4.0	33.8	23.2	31.75	41.0	M4
24	40.9	35.3	4.0	34.5	23.2	34.90	44.5	M4
28	46.7	41.4	4.0	34.5	24.4	39.70	50.9	M5
32	53.4	47.8	4.0	33.8	24.2	44.45	57.0	M5
36	59.6	54.1	4.0	33.8	24.2	49.20	63.5	M5
40	65.5	59.0	4.0	33.8	24.4	55.55	69.9	M5

Conector de base cuadrada para montaje trasero en panel.

Square flange receptacle for rear panel mounting.