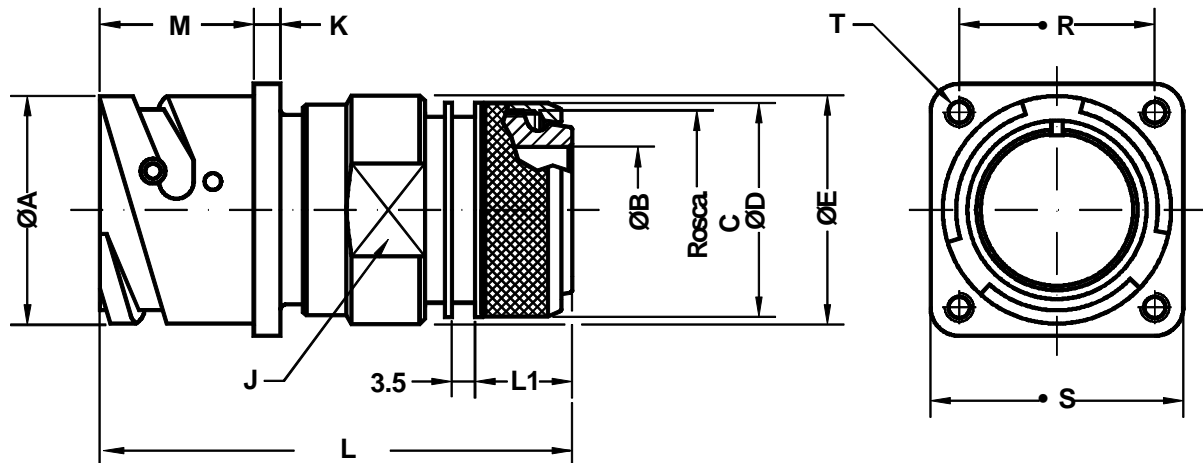


**Conector de base cuadrada para montaje trasero en panel**  
**Rear box mounting receptacle**



Ej. / Ex. : SCPB31030SP20-27P

Dimensiones del conector Shell size	ØA 0 -0.1	ØB min.	Rosca C C thread	ØD ±0.2	ØE ±0.2	LL. J J key	K ±0.2	L Max.	L1 Max.	M +0.2 0	R ±0.1	S +0.2	Rosca T T thread
10 SL	18.2	8.5	M16 x 1	18.5	22.0	20	2.8	57.0	13.5	18.5	18.25	25.4	M4
14 S	24.5	12.0	M20 x 1	22.3	25.0	23	3.3	57.0	13.5	18.5	23.00	30.4	M4
16 S	27.2	14.5	M23 x 1	25.3	28.0	26	3.3	59.0	14.6	18.5	24.60	32.5	M4
16	27.2	14.5	M23 x 1	25.3	28.0	26	3.3	68.0	14.6	23.2	24.60	32.5	M4
18	30.7	17.5	M26 x 1	28.0	30.0	28	4.0	69.5	14.6	23.2	27.00	35.0	M4
20	34.0	19.5	M30 x 1	32.3	34.5	32	4.0	69.5	14.6	23.2	29.40	38.0	M4
22	37.3	22.0	M32 x 1	34.3	38.0	36	4.0	69.5	14.6	23.2	31.75	41.0	M4
24	40.9	25.0	M36 x 1	38.3	41.0	39	4.0	71.0	14.6	23.2	34.90	44.5	M4
28	46.7	29.0	M39 x 1	41.2	48.0	46	4.0	71.0	14.6	24.4	39.70	50.9	M5
32	53.4	34.0	M45 x 1	48.3	54.0	52	4.0	72.5	14.6	24.2	44.45	57.0	M5
36	59.6	38.5	M52 x 1	55.0	61.0	58	4.0	73.0	15.5	24.2	49.20	63.5	M5
40	65.5	48.0	M59 x 1	62.0	68.0	65	4.0	73.0	15.5	24.4	55.55	69.9	M5

Conector de base cuadrada para montaje trasero en panel.  
Incluye grommet y adaptador inspeccionable para terminación de pantalla y bota termorretráctil.

Square flange receptacle for rear panel mounting.  
Includes wire sealing grommet and backshell with rotating clamp nut. Shielded cable is terminated with a "braid trap" nut and heat shrink tubing (optional).