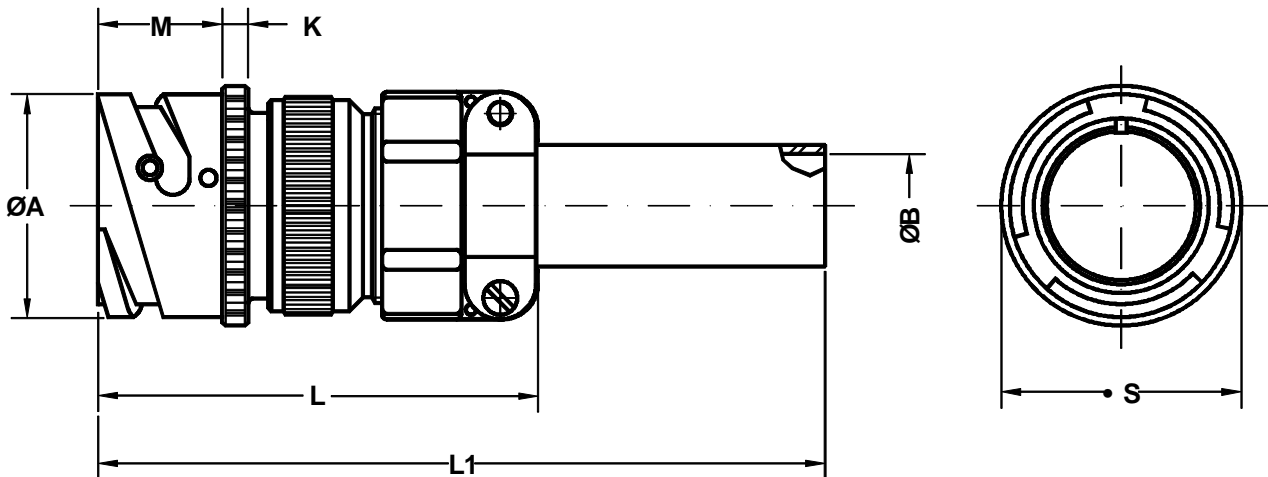


Conector recto para prolongación aérea
In-line receptacle



Ej. / Ex. : SCPB3101F20-27P

Dimensiones de conector Shell size	Ø A +0 -0.1	Ø B ±0.1	K ±0.2	L Max.	L 1 Max.	M +0.2 -0	Ø Q ±0.1
10 SL	18.2	5.58	2.8	55.0	125	14.3	21.8
14 S	24.5	7.92	3.3	58.4	125	14.5	28.8
16 S	27.2	11.09	3.3	60.4	125	14.5	30.5
16	27.2	11.09	3.3	71.8	135	19.1	30.5
18	30.7	14.27	4.0	77.8	140	19.1	33.8
20	34.0	15.87	4.0	74.0	130	19.1	36.9
22	37.3	15.87	4.0	74.0	130	19.6	39.5
24	40.9	19.05	4.0	76.7	130	20.6	43.9
28	46.7	19.05	4.0	83.2	135	20.7	48.4
32	53.4	23.79	4.0	90.3	140	22.3	56.0
36	59.6	31.75	4.0	96.8	145	22.3	62.4
40	65.5	34.92	4.0	115.8	160	22.3	68.6

Conector recto para prolongación aérea.
Incluye zócalo estanco (grommet), adaptador
con mecanizado posterior, brida tipo A
(MS3057) para cable y manguito reductor de
neopreno.

In-line receptacle.
Includes insulating grommet, backshell,
class A IT3057 cable clamp and neoprene
sleeve.