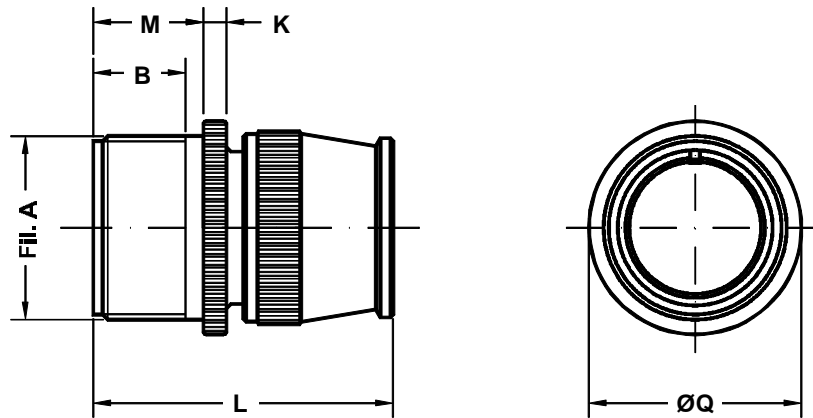


Conector recto para prolongación aérea In-line receptacle



Ej./ Ex. :SCP3101R20-27P

Dimensiones del conector Shell Size	Rosca A A thread	B min.	K ±0.2	L Max.	M +0.2 -0	Q ±0.2
10 S L	0.6250 - 24U N E F	11	2.8	38.0	14.3	21.6
12 S	0.7500 - 20U N E F	11	2.8	38.0	14.3	24.9
12	0.7500 - 20U N E F	16	2.8	45.5	19.1	24.9
14 S	0.8750 - 20U N E F	11	3.3	47.5	14.5	28.8
14	0.8750 - 20U N E F	16	3.3	52.5	19.1	28.8
16 S	1.0000 - 20U N E F	11	3.3	45.5	14.5	30.6
16	1.0000 - 20U N E F	16	3.3	55.5	19.1	30.6
18	1.1250 - 18U N E F	16	4.0	55.5	19.1	33.7
20	1.2500 - 18U N E F	16	4.0	55.5	19.1	36.9
22	1.3750 - 18U N E F	16	4.0	55.5	19.6	39.5
24	1.5000 - 18U N E F	17	4.0	58.5	20.6	43.9
28	1.7500 - 18U N S	17	4.0	58.5	20.0	49.2
32	2.0000 - 18U N S	17	4.0	58.5	22.3	55.8
36	2.2500 - 16U N	17	4.0	58.5	22.3	62.3
40	2.5000 - 16U N	17	4.0	58.5	22.3	68.5

Conector recto para prolongación aérea. Incluye zócalo estanco (grommet) y cuello posterior. Para uso con conductores individuales.

In-line receptacle. Includes insulating grommet and backshell. For use with individual wires.